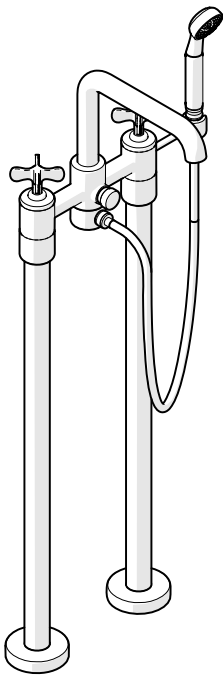


LUDLOW

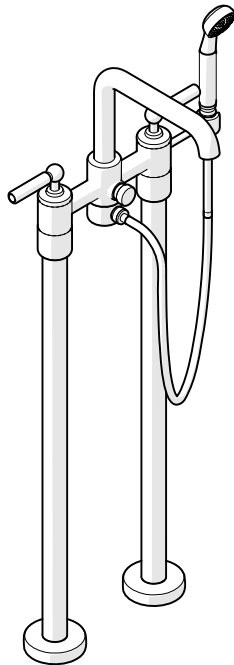
Exposed Floor Mounted Tub Filler With Handshower

INSTALLATION GUIDELINES

**Metal Cross Handles
Style No. LDXT60**



**Metal Lever Handle
Style No. LDXT70**



SPECIFICATIONS:

Handle Spread	8" [NOT ADJUSTABLE] 203 mm
Fitting Hole Diameter	Ø1-1/4" (Ø 32mm)*
Inlet/Outlet Connection Size & Type:	3/4" Copper Sweat (22mm Copper Sweat)
Inlet Spread	8" [NOT ADJUSTABLE] 203 mm
Spout Outlet Height	36" (914mm)
Spout Reach	8-9/16" (217mm)
Water Pressure Recommended:	45 psi (3 Bar)
Water Pressure:	20 psi MIN - 80psi MAX (1.4 Bar Min - 5.5 Bar Max)

IMPORTANT:

- To ensure this product is installed properly, you must read and follow these guidelines.
- The owner/user of this product must keep this information for future reference.
- Be sure your installation conforms to federal state, and local codes. Anti-scald protection is the responsibility of the installer and according to applicable codes.
- In the State of Massachusetts, all installations must comply with the rules and regulations set forth within 248 CMR.

- This product must be installed by a professional licensed contractor.
- Product should be on-site prior to rough-in. This allows the installer to visualize the installation and verify the inlet connection spread.
- Refer to the specifications and assembly drawings attached. Product is sold partially assembled but shown fully disassembled for illustrative and service purposes only.
- Check tub measurements to assure the spout projects far enough into the tub.
- Inspect this product to ensure you have all the parts required for proper installation.
- Use only a strap wrench or protected/smooth-jaw wrench on any finished surface.
- Run 3/4" (22mm) supply lines for maximum flow.
- Install accessible hot and cold service stop valves to facilitate servicing.

ROUGH-IN:

1. Run well supported 3/4" (22mm) hot and cold supply lines for maximum water flow. The inlet supply spread is 8" on-center and is not adjustable. 1-1/4" drilling for the mounting holes is recommended.
2. Determine the location where the supplies will come up through the floor and install a piece of 2x10 on its side to serve as a 10" blocking surface for securing the legs to the floor.
3. Drill 1-1/4" holes in the floor with the proper spread for each supply to pass through.
4. Run 3/4" copper supplies up through the finished floor and cap-off each line.

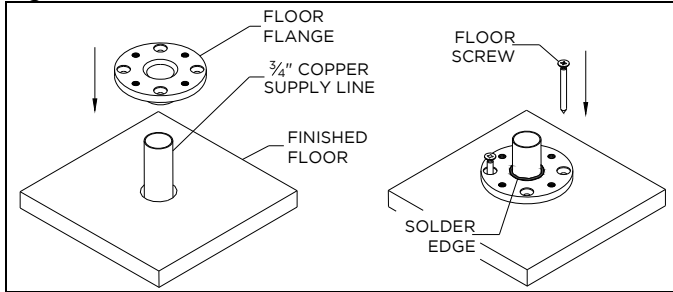
LEG INSTALLATION:

- Verify the 8" inlet supply spread prior to installation.
 - See Figure 1 for Steps 5-8
5. Slide the FLOOR FLANGE over the COPPER SUPPLY LINE and position the screw holes to the desired location.
 6. Drill 4 holes to accommodate all the SCREWS that will be used to secure the LEG to the floor.
 7. Screw the FLOOR FLANGE to the floor using the 4 FLOOR SCREWS provided, making sure flange is level to floor.
 8. Solder the COPPER SUPPLY LINES to the inner diameter of the FLOOR FLANGE for added stability.

These guidelines have been prepared for the professional contractor to aid in the installation of:
LUDLOW EXPOSED FLOOR MOUNTED TUB FILLER WITH HANDSHOWER WITH METAL CROSS
HANDLES (STYLE# LDXT60) & METAL LEVER HANDLES (STYLE# LDXT70)
All dimensions are based on original specification and are subject to change and variation.
Please consult your Design Associate for current specifications.

WATERWORKS
STUDIO

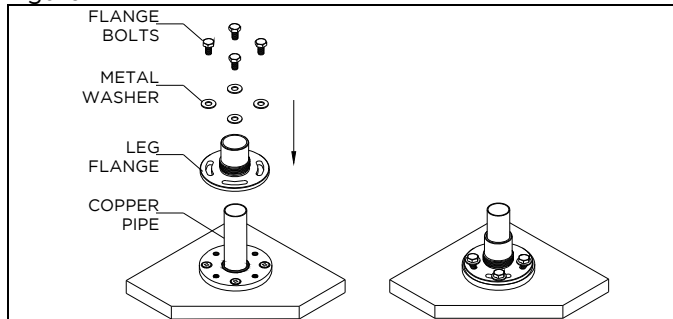
Figure 1



➤ See Figure 2 for Steps 9 & 10.

9. Slide LEG FLANGE over COPPER PIPE. Attach LEG FLANGE to FLOOR FLANGE using FLANGE BOLTS and METAL WASHERS.

Figure 2

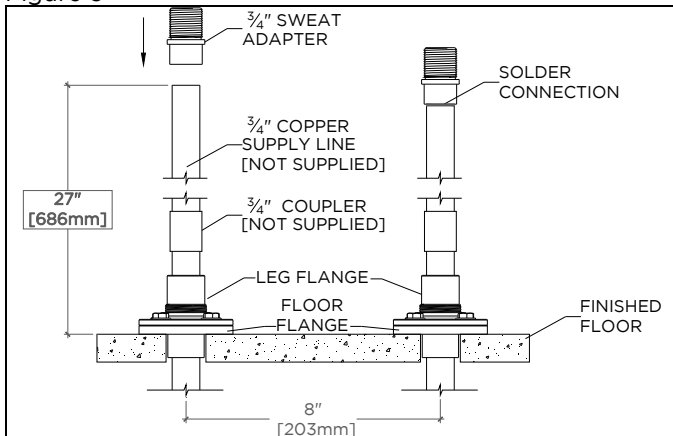


➤ See Figure 3 for Steps 10 & 11.

10. Extend the SUPPLY LINES and cut them to a height of 27" (686mm) above the finished floor. Make sure the cuts are flush and level.

11. Slide the 3/4" SWEAT ADAPTER onto the top of the SUPPLY LINES and sweat them to the COPPER PIPE. After soldering the adapters make sure they are flush and level with each other.

Figure 3



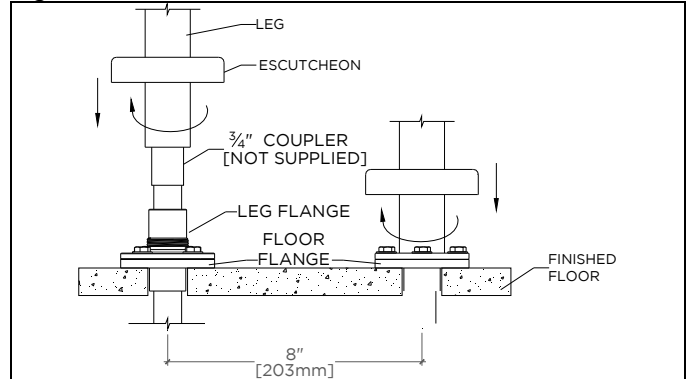
➤ See Figure 4 for Steps 12 - 14.

12. Slide LEG over SUPPLY PIPE & LEG FLANGE, making sure the ESCUTCHEON is on the leg.

13. Thread the LEG onto the LEG FLANGE to secure leg.

14. Slide the ESCUTCHEONS back down the LEGS to cover the floor mounting parts.

Figure 4

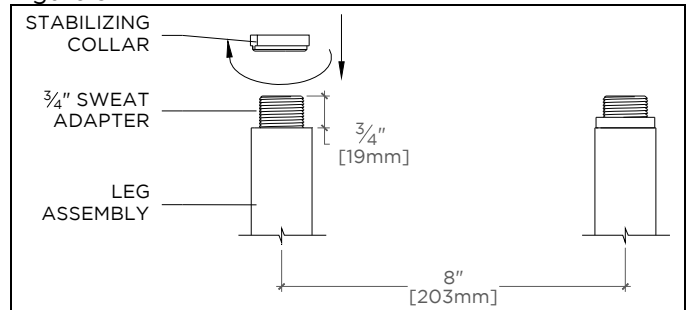


➤ See Figure 5 for Step 15.

➤ With the legs positioned over the copper supply lines, the sweat adapter should be protruding 3/4" past the leg assembly.

15. Thread the STABILIZING COLLAR onto 3/4" SWEAT ADAPTER and tighten to secure LEG ASSEMBLY. Note: Make sure the collar is fully seated into leg.

Figure 5



TUB FILLER INSTALLATION:

➤ See Figure 6 for Steps 16 - 19.

16. Rotate the spout so that it is facing forwards and then tighten the set screw.

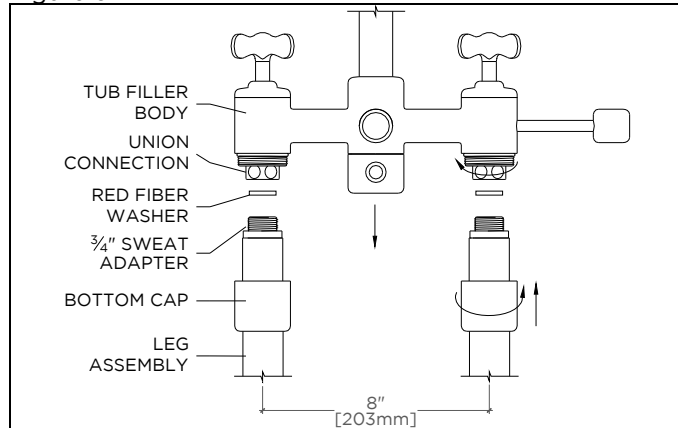
17. Remove the BOTTOM CAP from the TUB FILLER BODY and slide it down the LEG ASSEMBLY.

18. Position the TUB FILLER BODY over the secure LEG ASSEMBLIES and tighten using UNION CONNECTION nuts, making sure the RED FIBER WASHER is in each union nut.

These guidelines have been prepared for the professional contractor to aid in the installation of: LUDLOW EXPOSED FLOOR MOUNTED TUB FILLER WITH HANDSHOWER WITH METAL CROSS HANDLES (STYLE# LDXT60) & METAL LEVER HANDLES (STYLE# LDXT70). All dimensions are based on original specification and are subject to change and variation. Please consult your Design Associate for current specifications.

19. Slide the **BOTTOM CAP** back up the leg and thread to **TUB FILLER BODY** to complete this install.

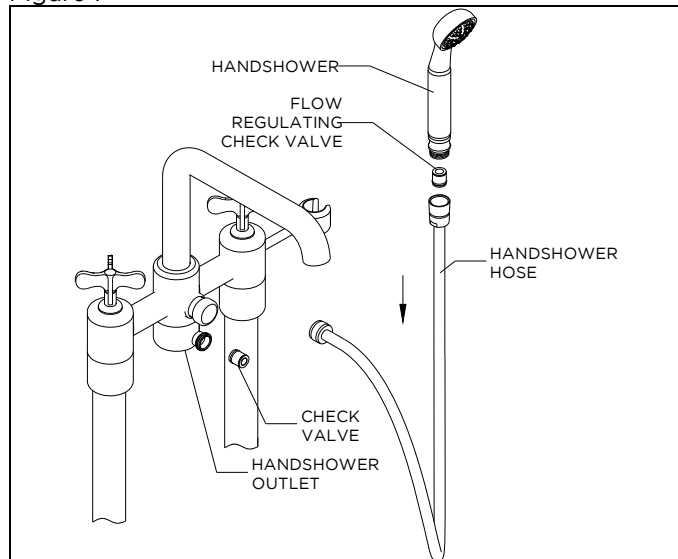
Figure 6



HANDSHOWER INSTALLATION:

- See Figure 7. for Steps 20 & 21.
20. Attach the conical end of **HANDSHOWER HOSE** to the **HANDSHOWER**.
21. Connect the other end of the **HANDSHOWER HOSE** to the **HANDSHOWER OUTLET**. Place the handshower on the **HOOK**. Note: The **HANDSHOWER OUTLET** can swivel to re-position the outlet to the desired orientation.
- Note: The **FLOW REGULATING CHECK VALVE** is located in the inlet of the **HANDSHOWER** and the **CHECK VALVE** is located in the outlet of the **HANDSHOWER OUTLET**.

Figure 7



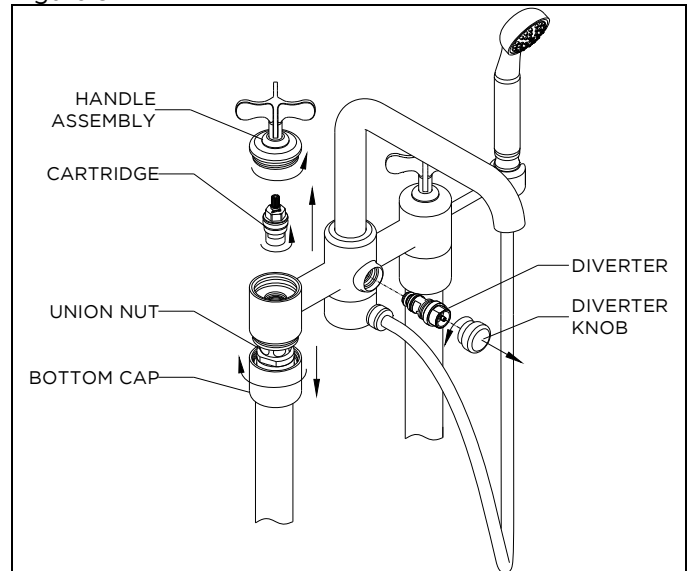
INSPECT THE INSTALLATION:

22. Turn on the supplies then open the hot and cold valves to flush out any debris in the supply lines before diverting to the handshower. To divert to the handshower turn the diverter lever handle, which is the center handle.
23. Carefully inspect all connections for leaks and check for proper operation.

SERVICING:

- See Figure 8. for Steps 24-26.
 - Service stops should be turned off prior to servicing.
 - See Service Parts Document for parts ordering.
24. If the **CARTRIDGES** need servicing, the **HANDLE ASSEMBLY** can be unthreaded from the **BODY** to access them.
25. If entire **BODY** needs to be replaced, unthread **BOTTOM CAPS** and slide them down the legs to access **UNION CONNECTIONS**.
26. To service the **DIVERTER**, unthread the **DIVERTER KNOB** and remove **DIVERTER**.

Figure 8



- If further assistance is required, please contact Product Support at 1-800-927-2120 (9am-6pm EST).
- See service part document for parts ordering, available on WATERWORKS.COM.

These guidelines have been prepared for the professional contractor to aid in the installation of: LUDLOW EXPOSED FLOOR MOUNTED TUB FILLER WITH HANDSHOWER WITH METAL CROSS HANDLES (STYLE# LDXT60) & METAL LEVER HANDLES (STYLE# LDXT70). All dimensions are based on original specification and are subject to change and variation. Please consult your Design Associate for current specifications.