

## AERO RETRO

RTKM04

Aero Retro Three Hole Gooseneck Kitchen Faucet, Metal Lever Handles and Spray



SHOWN IN MATTE NICKEL

### TECHNICAL DETAILS

ADA Compliance: Yes  
 Adjustable versus Fixed Spray: Fixed Spray  
 Deck Thickness Maximum: 1 7/8"  
 Deck Thickness Minimum: 0"  
 Escutcheon Primary Material: Brass  
 Fittings Hole Diameter: 1 3/8"  
 Handle Spread Maximum: 12"  
 Handle Spread Minimum: 8"  
 Depth / Width: 10"  
 Height: 12"  
 Inlet Connection Size: 1/2"  
 Inlet Connection Type: Male with Supply Nut  
 Inlet Supply Spread Maximum: 12"  
 Inlet Supply Spread Minimum: 8"  
 Integrated Diverter: Y  
 Length: 20"  
 Primary Material: Brass  
 Restricted Maximum Flow Rate: 2.2 gpm  
 Spout Reach: 8 1/4"  
 Spout Swivel: N  
 Spray Included in Unit: Y  
 Suggested Application: Bar, Kitchen, Laundry  
 Valve Material: Ceramic  
 Water Pressure Maximum: 85.0 psi  
 Water Pressure Minimum: 20.0 psi  
 Water Pressure Recommended: 45.0 psi

### INSPIRATION

An easy and distinctive silhouette, Aero Retro is a softer version of Aero with a more informal feeling.

### CODES & STANDARDS

Code # RTKM04: ASME A112.18.1 / CSA B125.1, NSF, IAPMO, CEC, State of MA

### PRODUCT FEATURES

Brass material is used for all trim and valve component parts.  
 The manufacturing process encompasses casting, turning, hand-fitting and hand polishing.  
 A comprehensive product line of fittings options for the lavatory, shower, and bathtub.  
 Aero Retro is a special order collection  
 Standard flow rate is 2.2gpm (8.3 L/min) and State of California requires a maximum of 1.8gpm(6.8 L/min). Also available in high efficiency flow options. Contact a sales associate for details.

### CERTIFICATIONS

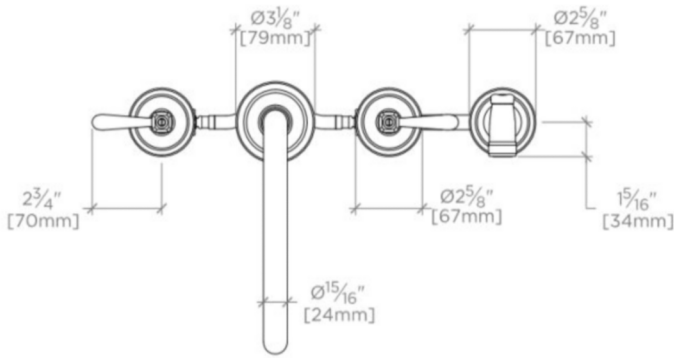


# WATERWORKS

## AERO RETRO

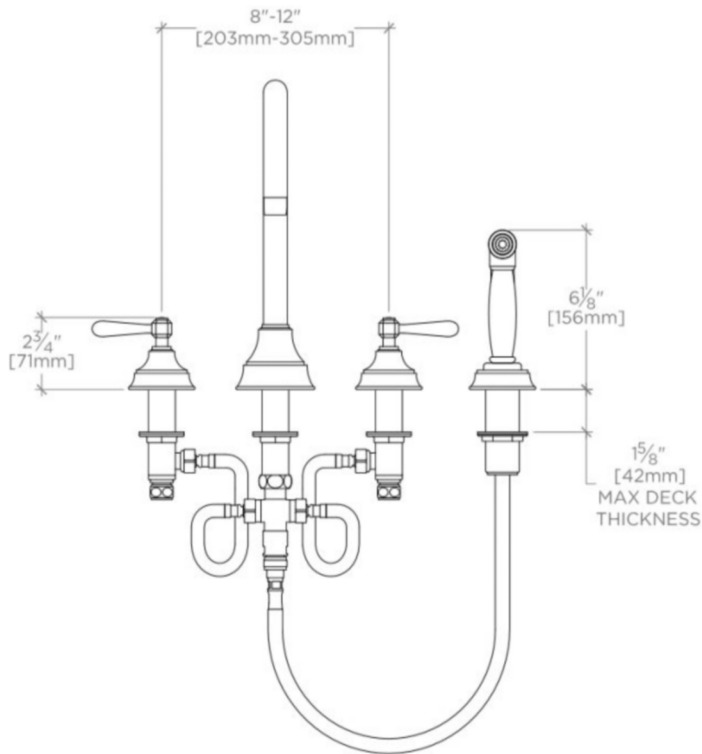
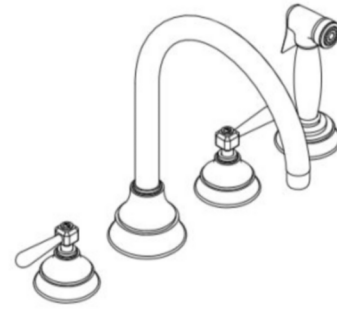
RTKM04

Aero Retro Three Hole Gooseneck Kitchen Faucet, Metal Lever Handles and Spray



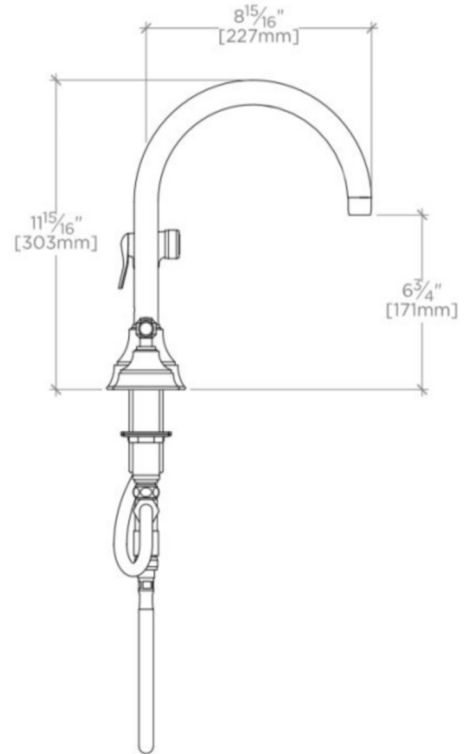
TOP VIEW

SCALE:  $1\frac{1}{2}"=1'-0"$



FRONT VIEW

SCALE:  $1\frac{1}{2}"=1'-0"$



SIDE VIEW

SCALE:  $1\frac{1}{2}"=1'-0"$