

DASH

DSTH10

Dash Thermostatic Control Valve Trim with Metal Lever Handle



SHOWN IN DASH THERMOSTATIC CONTROL VALVE TRIM WITH METAL LEVER HANDLE| DSTH10

TECHNICAL DETAILS

Control Valve Rough-in Depth Maximum: 206 mm
Control Valve Rough-in Depth Minimum: 64 mm
Escutcheon Primary Material: Brass
Fittings Hole Diameter: 133 mm
Depth / Width: 111 mm
Height: 170 mm
Installation Type: Wall Mounted
Integrated Diverter: N
Length: 160 mm
Number of Handles: One
Primary Material: Brass
Suggested Application: Bath

INSPIRATION

A blend of art and function, Dash pays homage to design elements of the 1930s with pared-down shapes, softened curves and minimal details.

PRODUCT FEATURES

Metal Lever Handle

Allows bather to adjust temperature of all waterway outlets

Stocked in Nickel, Chrome, Unlacquered Brass, and Matte Nickel finishes

Requires valve rough GUTH37(USA) or GU37TH(UK) sold separately

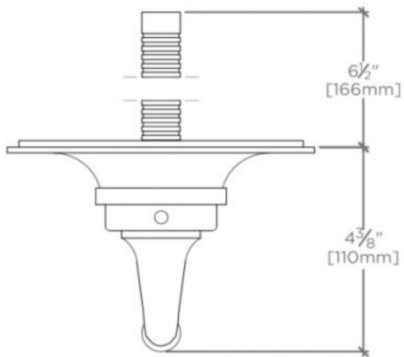
PRODUCT (NOTES)

Product Requires Universal 3/4" Thermostatic Valve [GUTH37]. Valve Sold Separately.

DASH

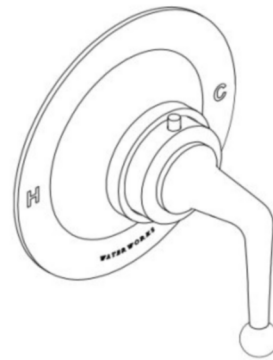
DSTH10

Dash Thermostatic Control Valve Trim with Metal Lever Handle



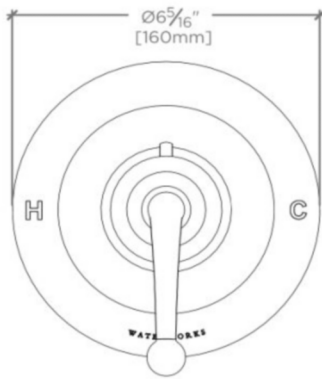
TOP VIEW

SCALE: 3"=1'-0"



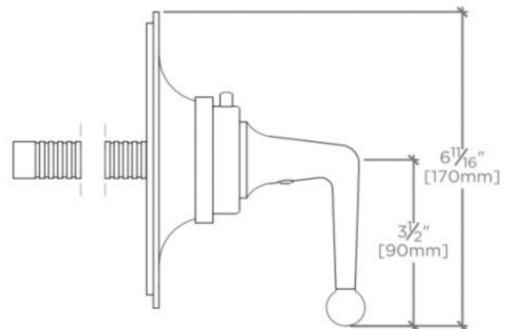
ISO VIEW

SCALE: 3"=1'-0"



FRONT VIEW

SCALE: 3"=1'-0"



SIDE VIEW

SCALE: 3"=1'-0"