

## HENRY

## HNLS03

Henry Low Profile Three Hole Deck Mounted Lavatory Faucet with Portoro Cylinders and Metal Cross Handles



SHOWN IN HENRY LOW PROFILE THREE HOLE DECK MOUNTED LAVATORY FAUCET WITH PORTORO CYLINDERS AND METAL

### TECHNICAL DETAILS

Adjustable versus Fixed Spray: Fixed Spray  
 Deck Thickness Maximum: 41 mm  
 Deck Thickness Minimum: 5 mm  
 Drain Depth Maximum: 67 mm  
 Drain Hole Diameter: 44 mm  
 Escutcheon Primary Material: Brass  
 Fittings Hole Diameter: 32 mm  
 Flow Restriction Options: 1.0 , 1.2 , 1.5 , 1.75, 2.2  
 Handle Spread Maximum: 305 mm  
 Handle Spread Minimum: 203 mm  
 Handle Turn Angle: Quarter Turn  
 Depth / Width: 194 mm  
 Drain Depth Minimum: 10 mm  
 Height: 92 mm  
 Inlet Connection Size: 1/2"  
 Inlet Connection Type: Male with Supply Nut  
 Inlet Supply Spread Maximum: 305 mm  
 Inlet Supply Spread Minimum: 203 mm  
 Installation Type: Deck Mounted  
 Integrated Diverter: N  
 Integrated Spray: N  
 Number of Handles: Two  
 Number of Holes: Three Hole  
 Primary Material: Brass  
 Spout Swivel: N  
 Spray Included in Unit: N  
 Suggested Application: Bath  
 Valve Material: Ceramic  
 Water Pressure Maximum: 6.0 bar  
 Water Pressure Minimum: 1.5 bar  
 Water Pressure Recommended: 3.0 bar

### INSPIRATION

Influenced by the connection of industry and art Henry easily transitions between modern, traditional, utilitarian and classic settings.

### CODES & STANDARDS

Code # HNLS03X: Complies with ASME A112.18.1/CSA B125.1, ASME A112.18.2 / CSA B125.2, NSF, CEC 61, ADA and 0.25% Weighted Average Lead Content. Certified with IAPMO, cUPC, NSF, CEC and State of MA.

### PRODUCT FEATURES

Portoro is a marble from Italy and available in a polished finish.

The manufacturing process encompasses casting, turning, forging, hand-fitting and hand polishing.

Portoro features elegant veining in shades of grey and gold that is a natural material so some variances will occur, making each piece unique.

Standard flow rate is 2.2gpm (8.3 L/min) and State of California requires 1.2gpm(4.5 L/min). Also available in other flow options. Contact a sales associate for details.

### CERTIFICATIONS

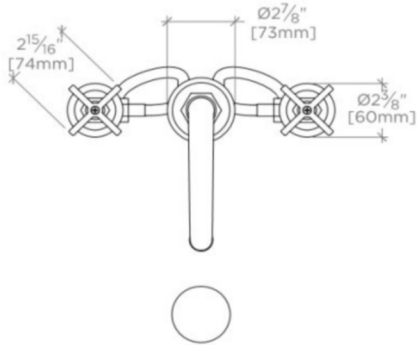


# WATERWORKS

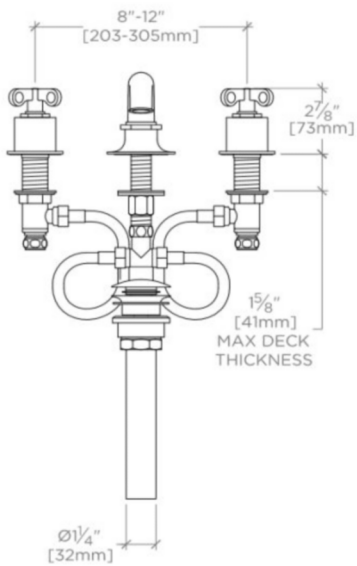
## HENRY

HNLS03

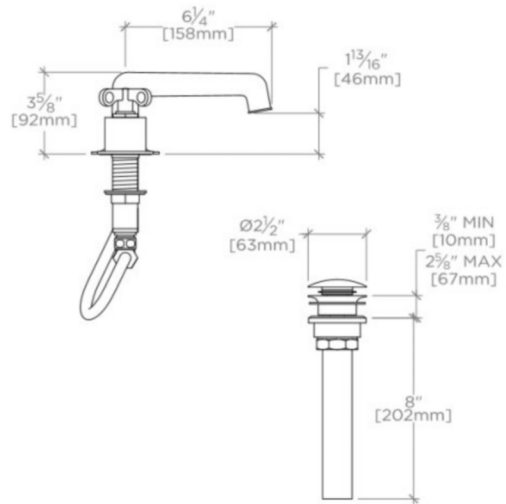
Henry Low Profile Three Hole Deck Mounted Lavatory Faucet with Portoro Cylinders and Metal Cross Handles



TOP VIEW SCALE: 1 $\frac{1}{2}$ "=1'-0"



FRONT VIEW SCALE: 1 $\frac{1}{2}$ "=1'-0"



SIDE VIEW SCALE: 1 $\frac{1}{2}$ "=1'-0"