

EASTON

EALS13

Easton Vintage Low Profile Three Hole Deck Mounted Lavatory Faucet with White Porcelain Lever Handles



SHOWN IN EASTON VINTAGE LOW PROFILE THREE HOLE DECK MOUNTED LAVATORY FAUCET WITH WHITE PORCELAIN

TECHNICAL DETAILS

ADA Compliance: Yes
 Adjustable versus Fixed Spray: Fixed Spray
 Deck Thickness Maximum: 1 1/4"
 Deck Thickness Minimum: 0"
 Fittings Hole Diameter: 1 3/8"
 Handle Spread Maximum: 12"
 Handle Spread Minimum: 8"
 Handle Turn Angle: Quarter Turn
 Index Color / Finish and Material: White Porcelain
 Depth / Width: 9"
 Height: 3 1/2"
 Inlet Connection Size: 1/2"
 Inlet Connection Type: Male with supply nut
 Inlet Supply Spread Maximum: 12"
 Inlet Supply Spread Minimum: 8"
 Installation Type: Deck Mounted
 Length: 16"
 Number of Holes: Three Hole
 Primary Material: Brass
 Restricted Maximum Flow Rate: 1.2 gpm
 Suggested Application: Bath
 Valve Material: Ceramic
 Water Pressure Maximum: 85.0 psi
 Water Pressure Minimum: 20.0 psi
 Water Pressure Recommended: 45.0 psi

INSPIRATION

Drawing on Edwardian style, Easton is the most extensive Waterworks family; a range of moods and a selection of products from fittings to furniture.

CODES & STANDARDS

Code # EALS13: CEC

PRODUCT FEATURES

Available in 1.2gpm (4.5L/min) flow rate

CERTIFICATIONS



PRODUCT (NOTES)

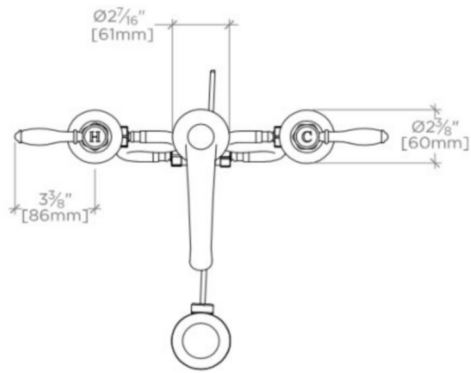
Sold with European style drain; USA style drain sold separately for use with non-Waterworks sinks.

WATERWORKS

EASTON

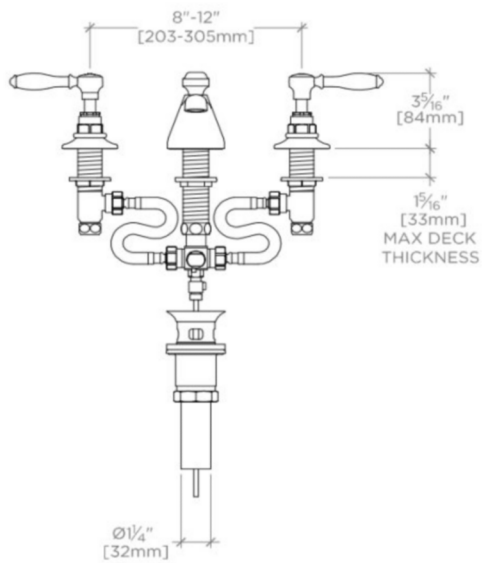
EALS13

Easton Vintage Low Profile Three Hole Deck Mounted Lavatory
Faucet with White Porcelain Lever Handles



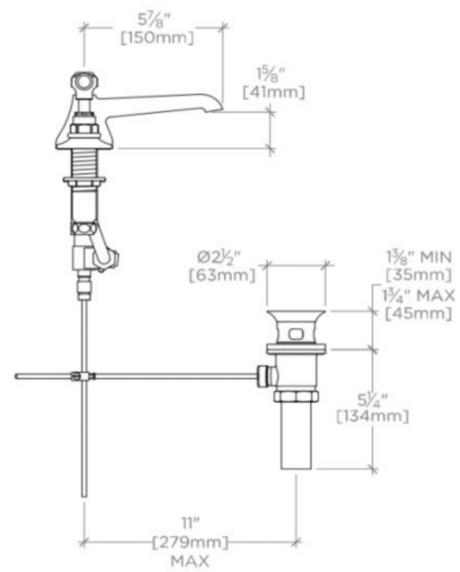
TOP VIEW

SCALE: 1 1/2"=1'-0"



FRONT VIEW

SCALE: 1 1/2"=1'-0"



SIDE VIEW

SCALE: 1 1/2"=1'-0"