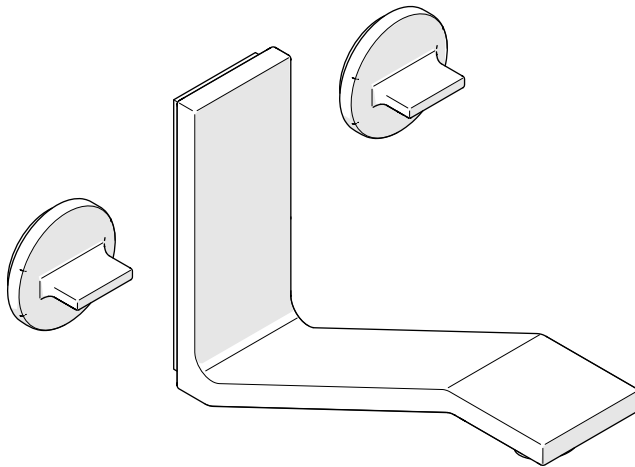
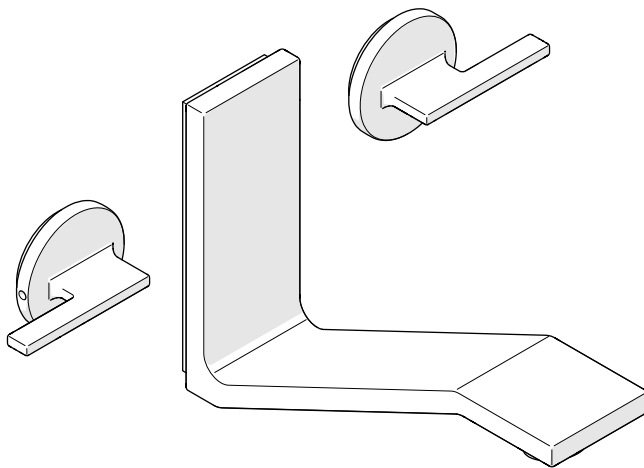


**STYLE No.** FMLS60  
with Metal Knob Handles



**STYLE No.** FMLS70  
with Metal Lever Handles



**SPECIFICATIONS:**

Control Valve Rough-in Depth Minimum: 2-7/8"  
Control Valve Rough-in Depth Maximum: 5-3/4"  
Drain Depth Minimum: 1-1/2"  
Drain Depth Maximum: 1-3/4"  
Drain Hole Diameter: Ø1-3/4"  
Drain Style: Push Touch (Drain Included)  
Fittings Hole Diameter: Ø1-3/8"  
Handle Spread: 8" (NOT ADJUSTABLE)  
Inlet Connection Size: 1/2"  
Inlet Connection Type: Female NPT  
Restricted Maximum Flow Rate: 2.2gpm  
Water Pressure Minimum: 20psi  
Water Pressure Maximum: 80psi  
Water Pressure Recommended: 45psi

**REQUIRED PLUMBING DETAILS:**

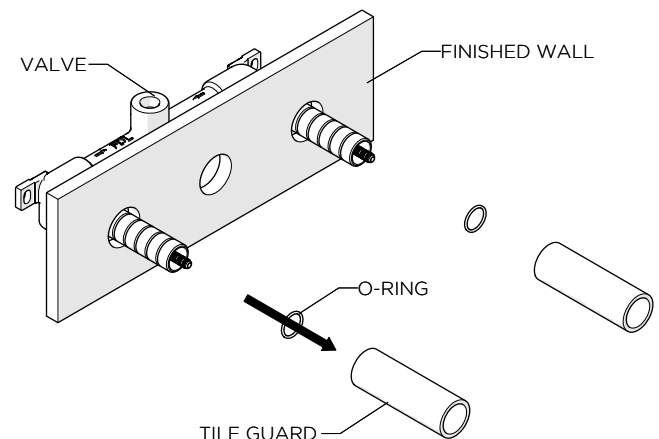
Universal Lavatory Wall Mounted Rough Valve  
**STYLE No.** GULV25 (used with Lever Handle Faucets)  
**STYLE No.** GULV27 (used with Knob Handle Faucets)

**IMPORTANT:**

- To ensure this product is installed properly, you must read and follow these guidelines.
- The owner/user of this product must keep this information for future reference.
- This product must be installed by a professional licensed contractor.
- Be sure your installation conforms to all federal, state, and local codes. In the State of Massachusetts, all installations must comply with the rules and regulations set forth within 248 CMR.
- This product must be on-site prior to rough-in. This allows the installer to visualize the installation and verify the 8" center spread.
- Refer to the specification and assembly drawings attached. Product is sold partially assembled but shown fully disassembled for illustrative and service purposes only.
- Inspect the product to ensure you have all the parts required for proper installation.
- Use only a strap wrench or protected/smooth-jaw wrench on any finished surface.
- DO NOT use putty. Putty contains oil and can cause permanent discoloration on certain materials such as marble, granite and any porous surface.

**TRIM INSTALLATION:**

1. Remove the TILE GUARDS and the O-RINGS from the VALVE as shown in Figure - 01.

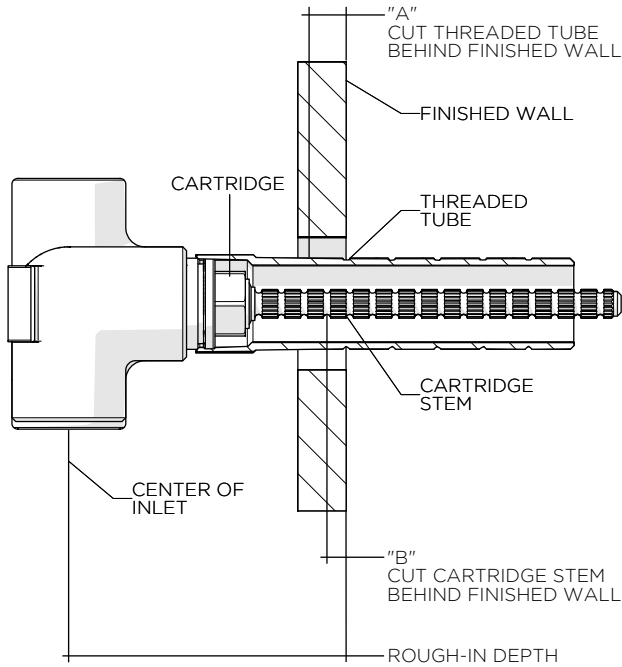


**FIGURE - 01**

These guidelines have been prepared for the professional contractor to aid in the installation of:  
FORMWORK LOW PROFILE THREE HOLE WALL MOUNTED LAVATORY FAUCET WITH METAL KNOB HANDLES (STYLE No. FMLS60) & METAL LEVER HANDLES (STYLE No. FMLS70)  
All dimensions are based on original specification and are subject to change and variation.  
Please consult your Design Associate for current specifications.

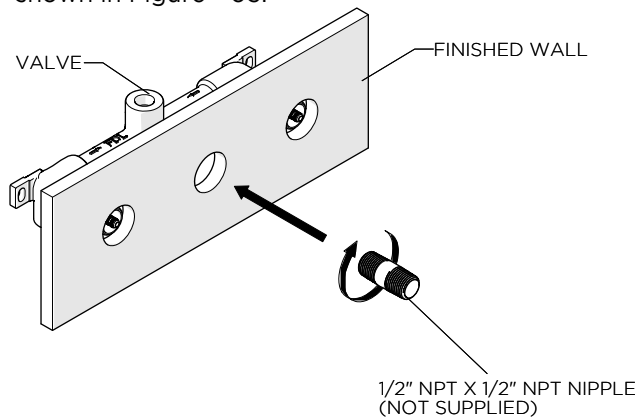
➤ See Figure - 02 for Steps 2 & 3

DIMENSION	VALUE (INCHES)
A	1/2"
B	1/16"



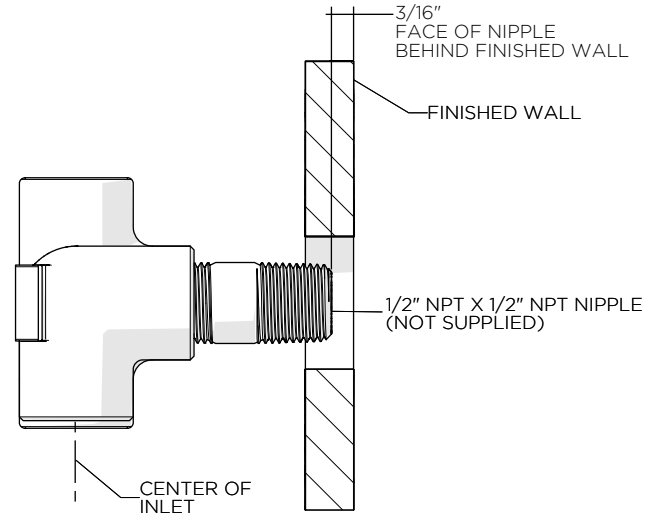
**FIGURE - 02**

2. Mark the THREADED TUBE as shown in Figure - 02 then remove and cut the THREADED TUBE.
3. Mark the CARTRIDGE STEM as shown in Figure - 02 then remove the CARTRIDGE and cut the CARTRIDGE STEM.
4. Thread and securely tighten the CARTRIDGE and THREADED TUBE back onto the VALVE.
5. Thread a 1/2" NPT x 1/2" NPT NIPPLE (NOT INCLUDED) into the SPOUT OUTLET of the VALVE as shown in Figure - 03.



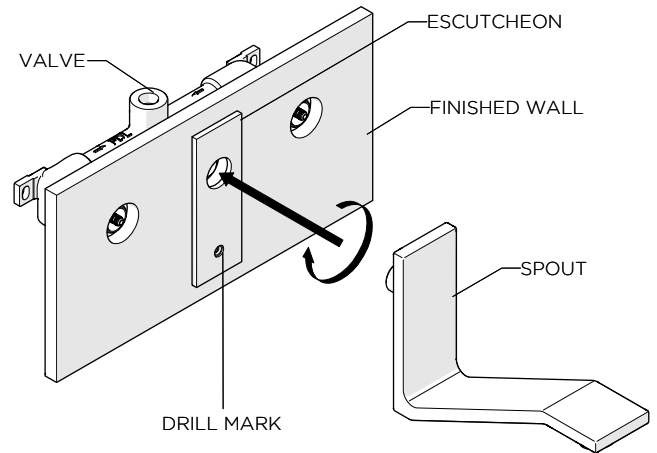
**FIGURE - 03**

6. Ensure the front face of NIPPLE is 3/16" from the finished wall as shown in Figure - 04.



**FIGURE - 04**

7. Hold the ESCUTCHEON up to the finished wall and thread the SPOUT onto the NIPPLE. Do not tighten the SPOUT onto the NIPPLE. Mark where to drill the required Ø1/2" hole using the pre-drilled hole on the ESCUTCHEON as shown in Figure - 05.

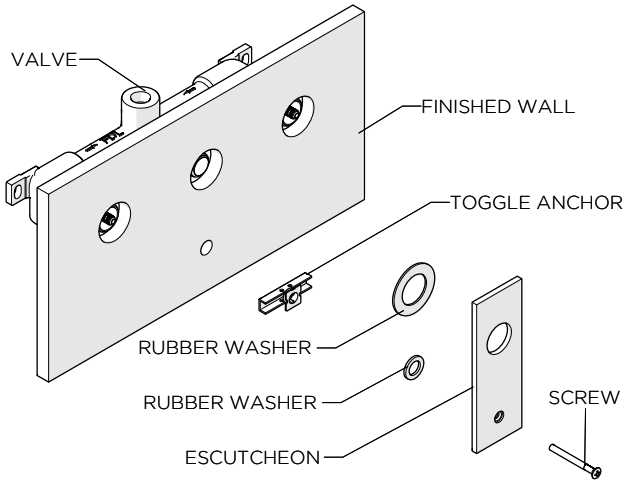


**FIGURE - 05**

8. Remove the SPOUT and ESCUTCHEON and drill the Ø1/2" hole using the mark made in Step 7.
  9. Install the TOGGLE ANCHOR in the Ø1/2" hole drilled in Step 8 then install the ESCUTCHEON using the SCREW provided as shown in Figure - 06. Make sure to use the RUBBER WASHERS provided to create a seal between the finished wall and the ESCUTCHEON.
- If desired, a bead of caulk or a clear silicone may be applied where the ESCUTCHEON contacts the finished wall. DO NOT use putty.\*

These guidelines have been prepared for the professional contractor to aid in the installation of:  
**FORMWORK LOW PROFILE THREE HOLE WALL MOUNTED LAVATORY FAUCET WITH METAL KNOB HANDLES (STYLE No. FMLS60) & METAL LEVER HANDLES (STYLE No. FMLS70)**  
All dimensions are based on original specification and are subject to change and variation.  
Please consult your Design Associate for current specifications.

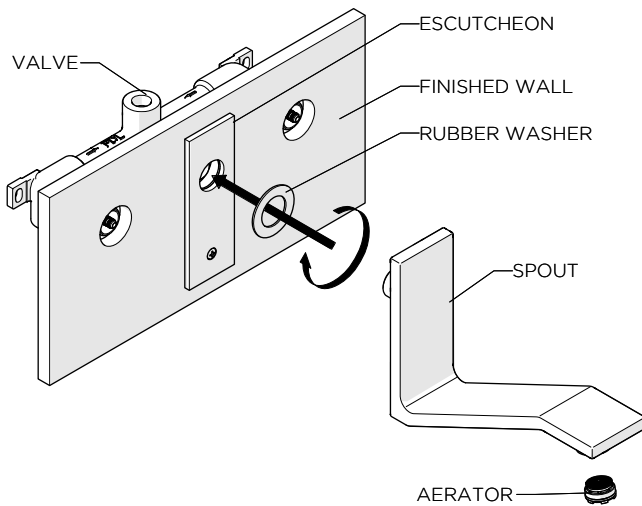
WATERWORKS



**FIGURE - 06**

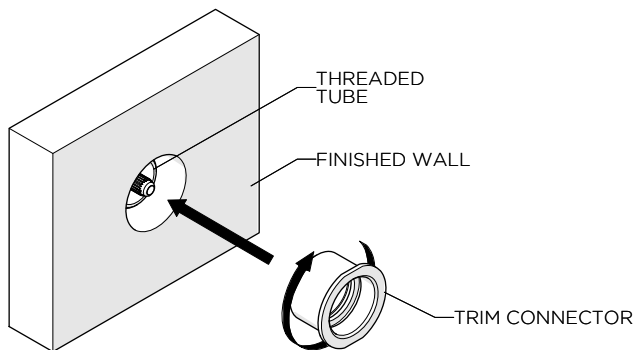
10. Thread the SPOUT onto the NIPPLE making sure the RUBBER WASHER is between the SPOUT and the ESCUTCHEON as shown in Figure - 07.

➤ NOTE: The SPOUT has a 2.2gpm AERATOR installed.



**FIGURE - 07**

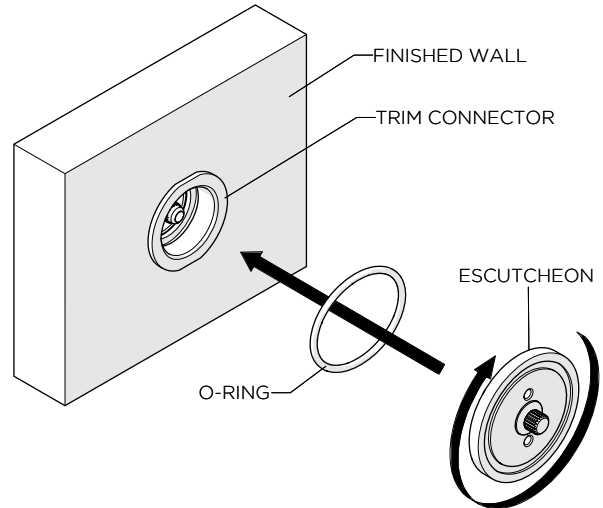
11. Thread the TRIM CONNECTOR onto the THREADED TUBE as shown in Figure - 08.



**FIGURE - 08**

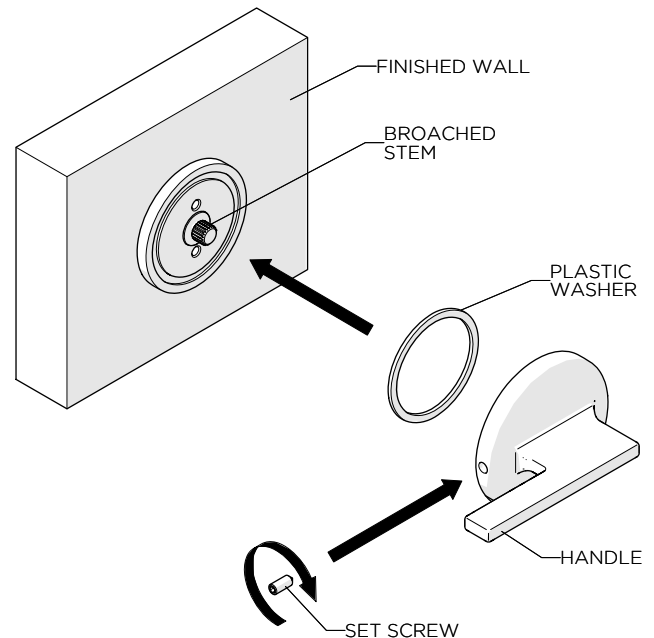
12. Thread the ESCUTCHEON into the TRIM CONNECTOR as shown in Figure - 09, making sure the O-RING is behind the ESCUTCHEON.

➤ If desired, a bead of caulk or a clear silicone may be applied where the ESCUTCHEON contacts the finished wall. DO NOT use putty.\*



**FIGURE - 09**

13. Place the HANDLE onto the BROACHED STEM, in the desired orientation. Ensure the PLASTIC WASHER is inside the groove on the ESCUTCHEON. Tighten the SET SCREW as shown in Figure - 10 to secure the HANDLE.



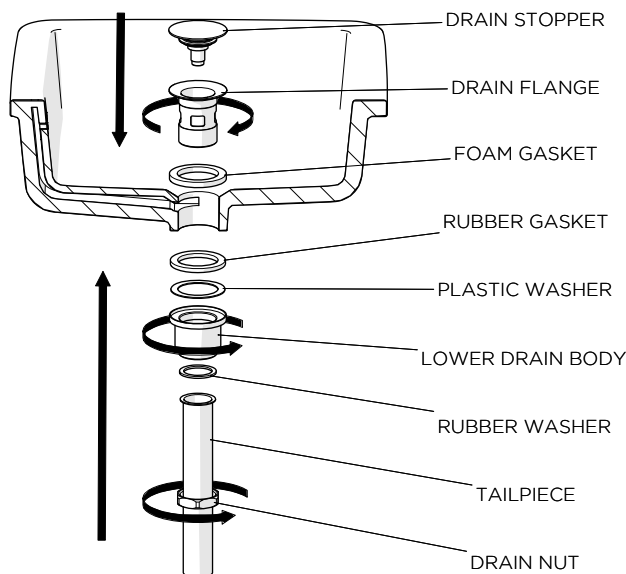
**FIGURE - 10**

14. Repeat Steps 11 - 13 for the second HANDLE

These guidelines have been prepared for the professional contractor to aid in the installation of: FORMWORK LOW PROFILE THREE HOLE WALL MOUNTED LAVATORY FAUCET WITH METAL KNOB HANDLES (STYLE No. FMLS60) & METAL LEVER HANDLES (STYLE No. FMLS70)  
All dimensions are based on original specification and are subject to change and variation.  
Please consult your Design Associate for current specifications.

## **DRAIN INSTALLATION:**

- See Figure - 11 for Steps 15 & 18
- 15. Remove the DRAIN FLANGE from LOWER DRAIN BODY and remove the RUBBER GASKET.
- 16. Set the DRAIN FLANGE in the drain hole using putty or a clear adhesive silicone depending on the mounting surface material.\*
- 17. Making sure the RUBBER GASKET and PLASTIC WASHER are on the LOWER DRAIN BODY, thread the LOWER DRAIN BODY onto the DRAIN FLANGE. Securely tighten the LOWER DRAIN BODY, making sure the RUBBER GASKET makes a full seal on the underside of the lavatory. Putty or a clear adhesive silicone may be used to ensure a water tight seal between the RUBBER GASKET and lavatory.\*
- 18. Attach the TAILPIECE to the LOWER DRAIN BODY using the DRAIN NUT, making sure the RUBBER WASHER is in between the LOWER DRAIN BODY and TAILPIECE.



**FIGURE - 11**

- 19. Connect the TAILPIECE to the P-TRAP (SOLD SEPARATELY).

## **FINISH & INSPECT THE INSTALLATION:**

- 20. Remove the AERATOR using the tool provided then turn on the water supply to flush out any debris in the supply lines. Operate the HANDLES to ensure they are functioning properly.
- 21. Inspect all connections for leaks.
- 22. Close the drain and fill the sink with water to make sure the DRAIN STOPPER and GASKET operate and seal properly.

- 23. Re-install the AERATOR

- If further assistance is required, please contact Product Support at 1-800-927-2120 Ext 2 Monday through Friday, 8am - 6pm EST.
- See the service part document for parts ordering, available on WATERWORKS.COM.
- \* Putty contains oil and can cause permanent discoloration on certain materials such as marble, granite and any porous surface.

These guidelines have been prepared for the professional contractor to aid in the installation of:  
FORMWORK LOW PROFILE THREE HOLE WALL MOUNTED LAVATORY FAUCET WITH METAL KNOB HANDLES (STYLE No. FML560) & METAL LEVER HANDLES (STYLE No. FML570)  
All dimensions are based on original specification and are subject to change and variation.  
Please consult your Design Associate for current specifications.

WATERWORKS