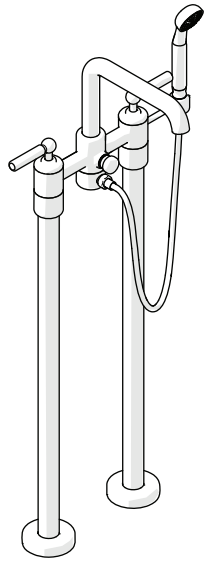


INSTALLATION GUIDELINES

Ludlow Shinola Edition Floor Mounted Exposed Tub Filler with Handshower



STYLE No. LDXTSE

Ludlow Shinola Edition Floor Mounted Exposed Tub Filler with Handshower and Two-Tone Lever Handles

- Use only a strap wrench or protected/smooth-jaw wrench on any finished surface.
- The use of certain plumber’s putty may stain stone or tile surfaces.
- If further assistance is required, please contact Product Support at 1-800-927-2120 Monday through Friday, 8am – 6pm EST.
- Refer to the separate Service Parts Documents for available replacement parts.

TECHNICAL DETAILS:

ADJUSTABLE VERSUS FIXED SPRAY [HANDSHOWER - ONLY]	FIXED
DIAMETER OF HANDSHOWER HEAD	2-1/16” [52mm]
HANDLE TURN ANGLE	QUARTER TURN
HANDSHOWER HOSE LENGTH	68” [1.7m]
HANDSHOWER PIVOT	NO
INLET CONNECTION	3/4” COPPER SWEAT
INLET SUPPLY SPREAD [NOT ADJUSTABLE]	8” [203mm]
INTEGRATED DIVERTER	YES
SPOUT SWIVEL	NO
SPOUT REACH	8-1/2” [216mm]
WATER PRESSURE RANGE	20psi [1.5 bar] MIN - 85psi [6.0 bar] MAX
WATER PRESSURE RECOMMENDED	45psi [3.0 bar]

IMPORTANT:

- To ensure this product is installed properly, you must read and follow these guidelines.
- The owner/user of this product must keep this information for future reference.
- This product must be installed by a professional licensed contractor and must be on-site prior to rough-in. This allows the installer to visualize the installation and verify the 8” [203mm] on-center inlet supply spread. The inlet supply spread on this product is **NOT** adjustable.
- Check TUB measurements to assure the SPOUT projects far enough into the TUB.
- Run 3/4” supply lines for **MAXIMUM** flow and install **ACCESSIBLE** hot and cold service stop valves to facilitate servicing.
- Be sure your installation conforms to federal, state, and local codes.
 - Anti-scald protection is the responsibility of the installer and according to applicable codes.
 - A water temperature limiting device is the responsibility of the installer and must be in accordance with ASSE 1070.
 - In the State of Massachusetts, all installations must comply with the rules and regulations set forth within 248 CMR.
- Inspect this product to ensure you have all the parts required for proper installation. Product is sold partially assembled but shown fully disassembled for illustrative and service purposes only.

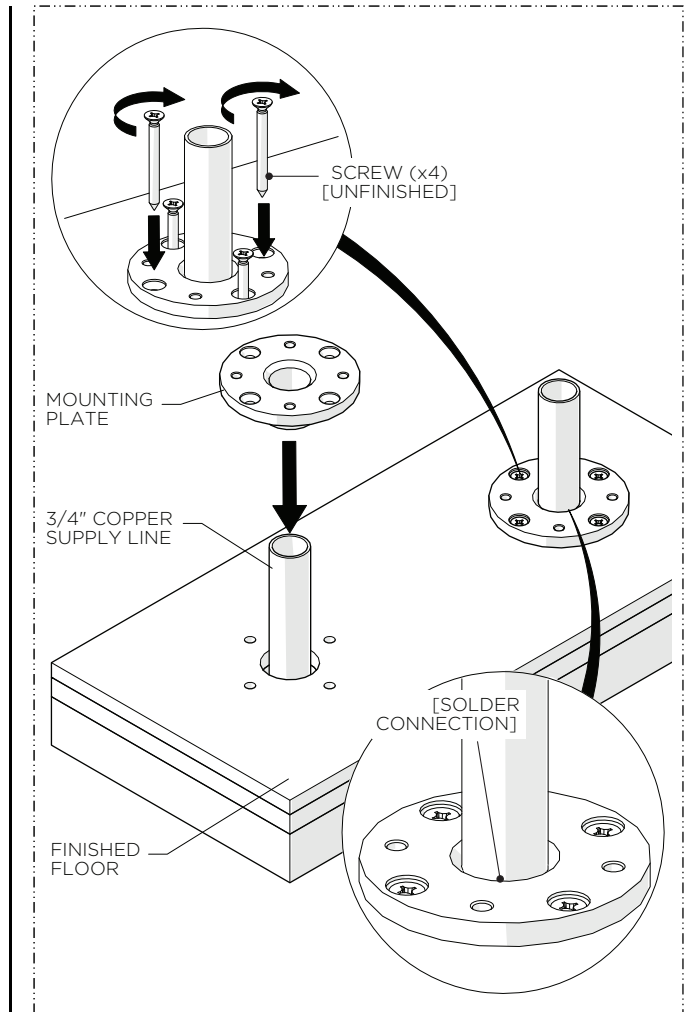
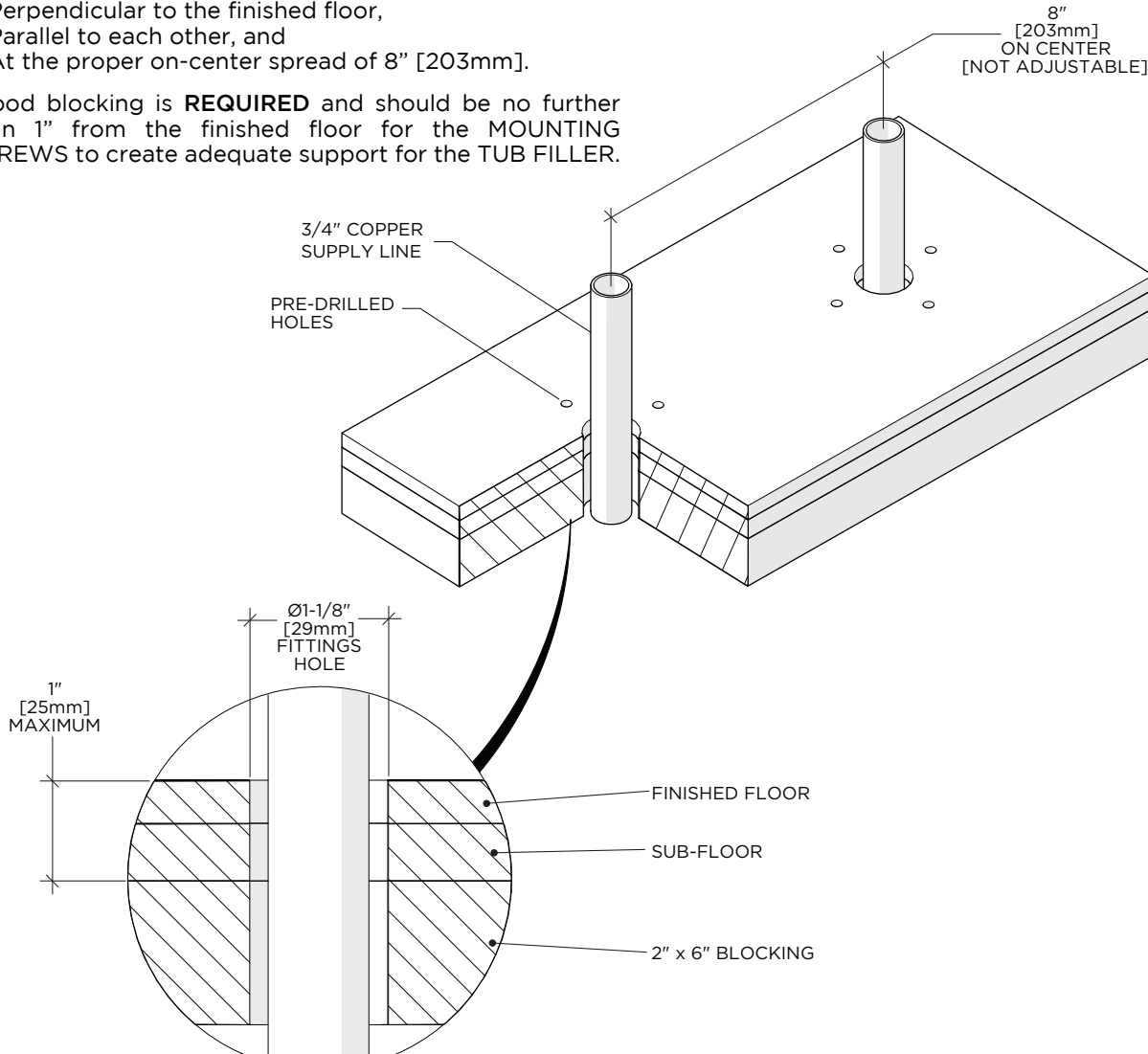
INSTALLATION GUIDELINES

STYLE No. LDXTSE

Ludlow Shinola Edition Floor Mounted Exposed Tub Filler with Handshower

ROUGH-IN:

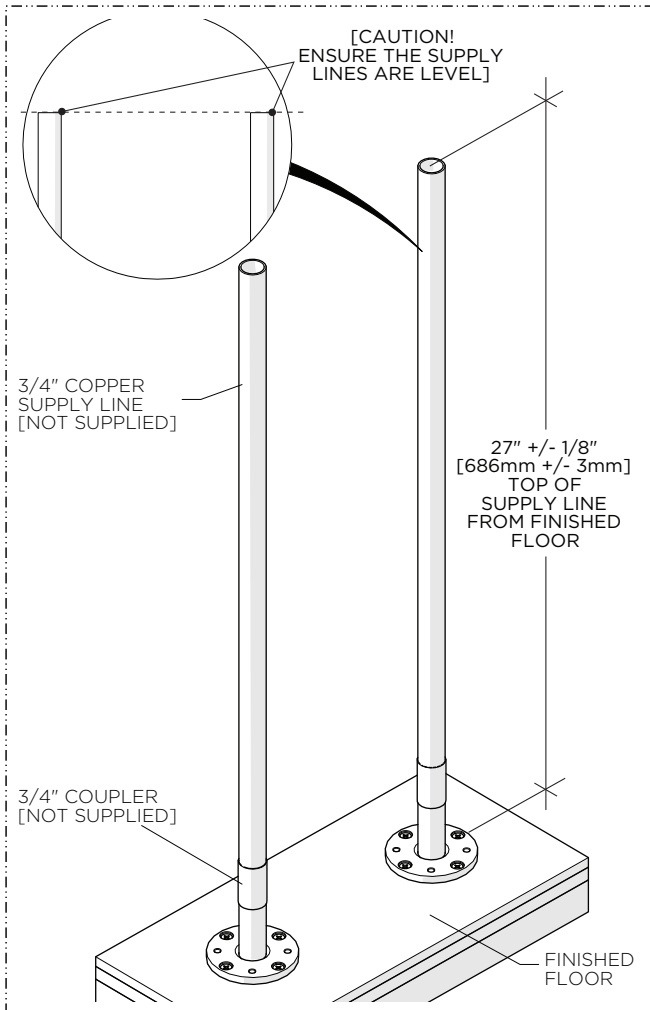
- **WARNING:** The inlet supply spread on this product is **NOT** adjustable. If the rough-in is **NOT** accurate, it will make the installation difficult or impossible.
- Run well supported 3/4" hot and cold copper supply lines for **MAXIMUM** water flow. The 3/4" supply lines must be:
 - Securely anchored/strapped below the sub-floor,
 - Level,
 - Perpendicular to the finished floor,
 - Parallel to each other, and
 - At the proper on-center spread of 8" [203mm].
- Wood blocking is **REQUIRED** and should be no further than 1" from the finished floor for the MOUNTING SCREWS to create adequate support for the TUB FILLER.



1. Slide the MOUNTING PLATES over the SUPPLY LINES in the correct orientation then:
 - a. Secure each MOUNTING PLATE using the UNFINISHED SCREWS provided.

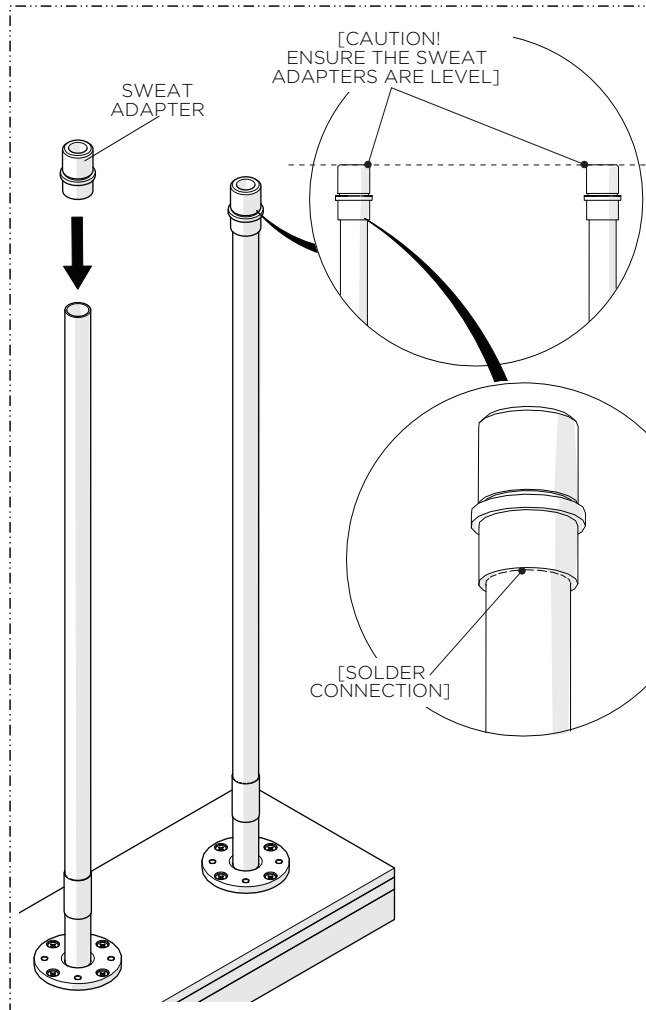
NOTE: Make sure to use the countersunk holes on the PLATE.
 - b. Solder the SUPPLY LINES to the inner diameter of each MOUNTING PLATE to ensure adequate stability.

INSTALLATION GUIDELINES

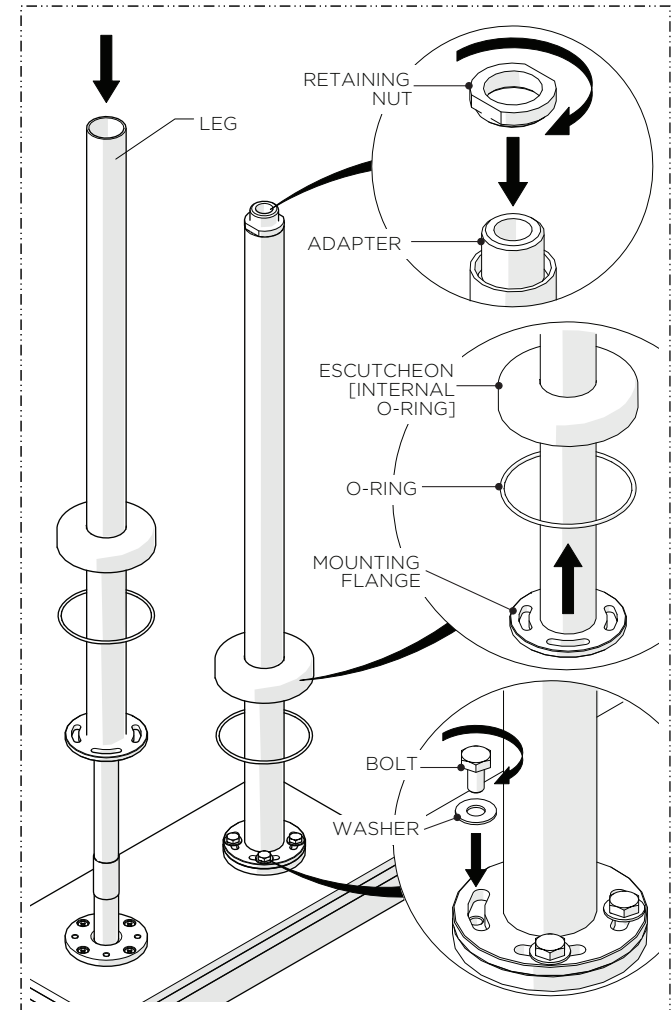


2. Using 3/4" COUPLERS (not supplied), extend the SUPPLY LINES to 27" [686mm] ± 1/8" [3mm] above the finished floor.

IMPORTANT: Ensure the SUPPLY LINES are level and free of any burrs.



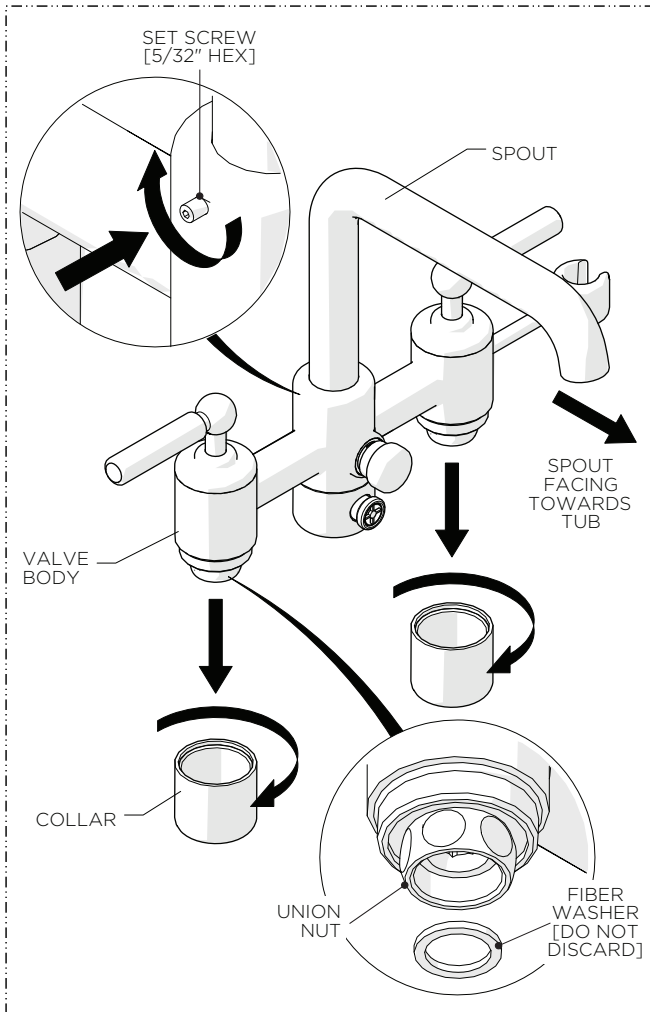
3. Place the SWEAT ADAPTERS onto the SUPPLY LINES and ensure the ADAPTERS are level then solder the inner diameter of each ADAPTER to the SUPPLY LINE.



4. Slide the ESCUTCHEON up each LEG to expose the MOUNTING FLANGE then:

- a. Slide the LEGS over the supply lines making sure to include the O-RINGS provided for the ESCUTCHEONS.
- b. Attach the LEGS to the MOUNTING PLATES using the BOLTS and WASHERS provided.
- c. Thread and securely tighten the RETAINING NUTS onto the SWEAT ADAPTERS

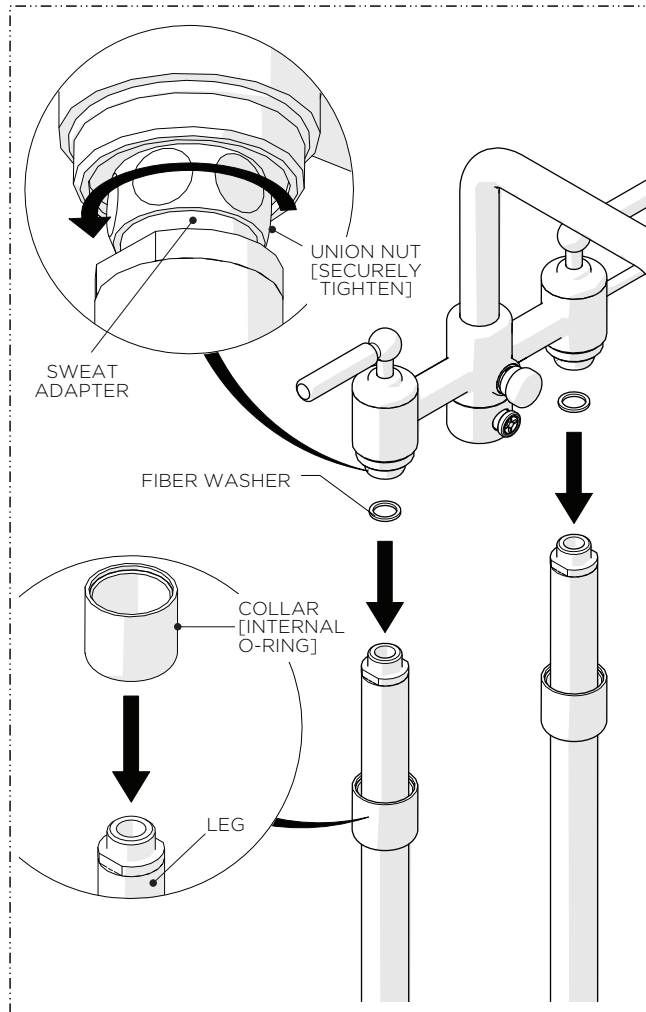
INSTALLATION GUIDELINES



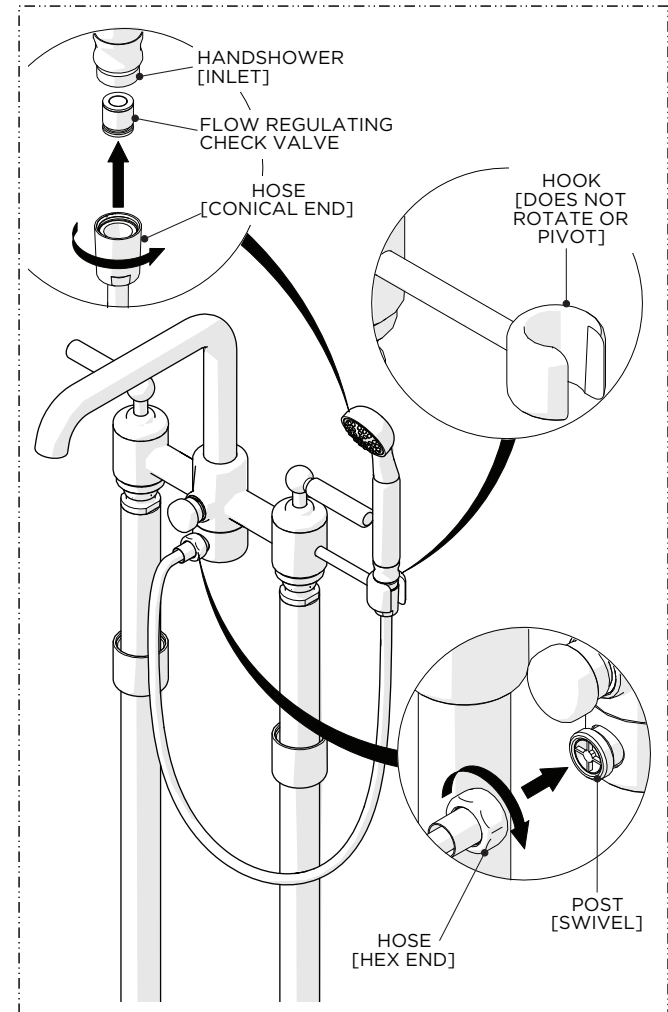
- Align the SPOUT properly and securely tighten the SET SCREW at the base of the SPOUT then unthread and remove the ROUND COLLARS at the base of the VALVE BODY to expose the UNION NUTS.

NOTE: The SPOUT is **NOT** intended to swivel. Ensure the SET SCREW is securely tightened.

CAUTION: Do **NOT** discard the FIBER WASHERS provided with the UNION NUTS.



- Slide the ROUND COLLARS onto the LEGS then, using the RUBBER WASHERS provided, thread and securely tighten the UNION NUTS onto the SWEAT ADAPTERS.



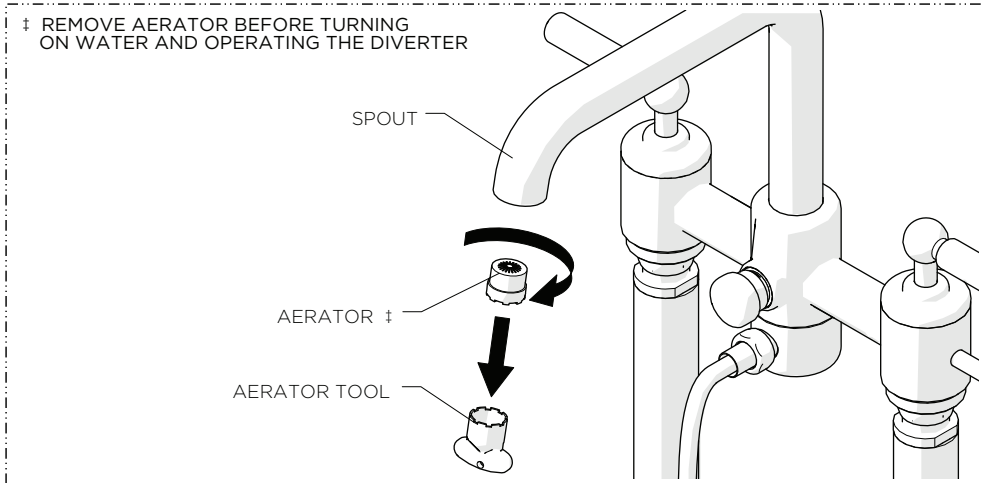
- Thread and securely tighten the conical end of the HOSE to the HANDSHOWER and the hex end to the POST at the base of the SPOUT then place the HANDSHOWER into the HOOK.

NOTE: A FLOW REGULATING CHECK VALVE is located inside the inlet of HANDSHOWER.

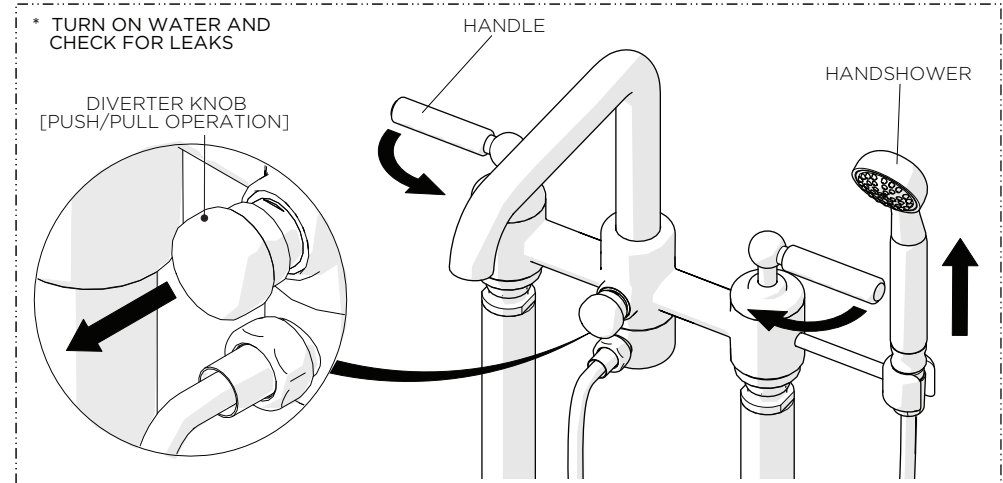
INSTALLATION GUIDELINES

STYLE No. LDXTSE

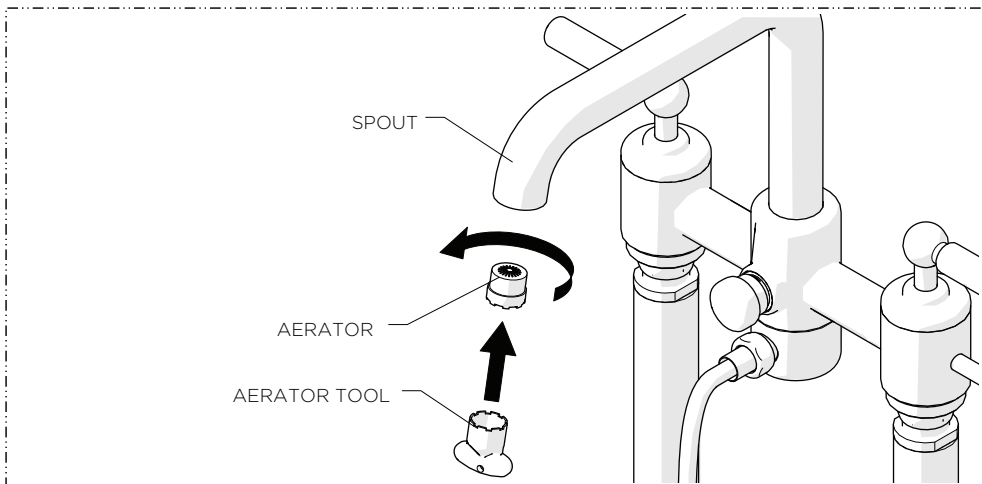
Ludlow Shinola Edition Floor Mounted Exposed Tub Filler with Handshower



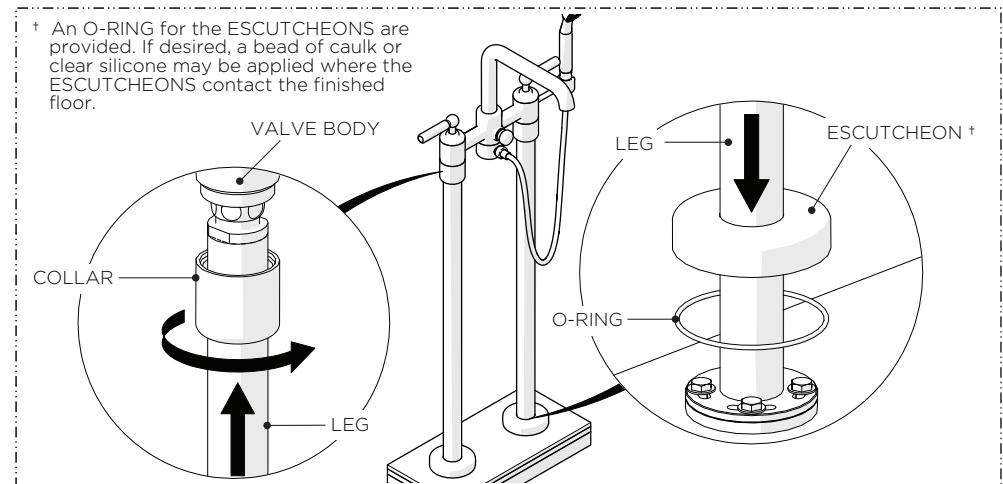
8. Remove the AERATOR using the AERATOR TOOL provided **BEFORE** turning on the water and diverting water to the HANDSHOWER.



9. Turn on the water to flush out the supply lines, operate the HANDLES and DIVERTER KNOB to ensure they function properly, and carefully inspect all connections for leaks then turn off the water.



10. Re-install the AERATOR

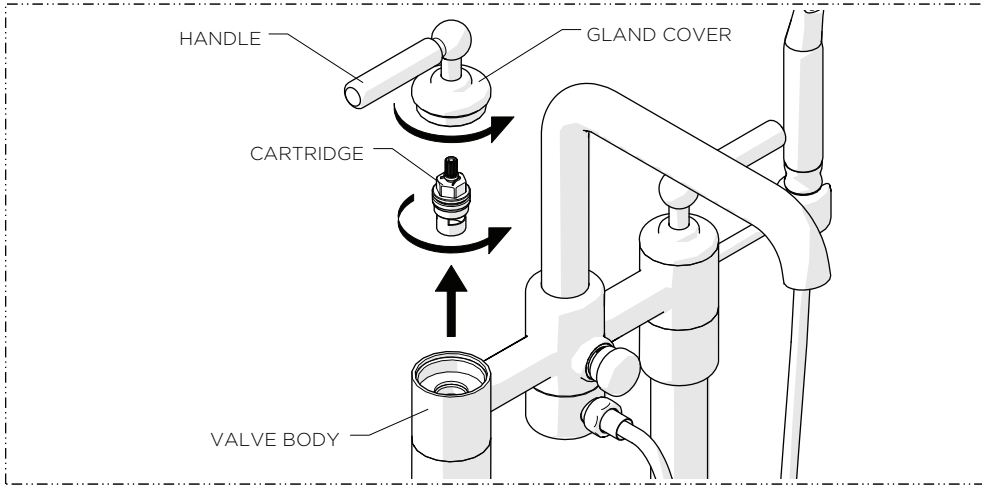


11. Slide the COLLARS up the LEGS and thread them back onto the VALVE BODY then slide the ESCUTCHEONS down the LEGS until they contact the finished floor.

INSTALLATION GUIDELINES

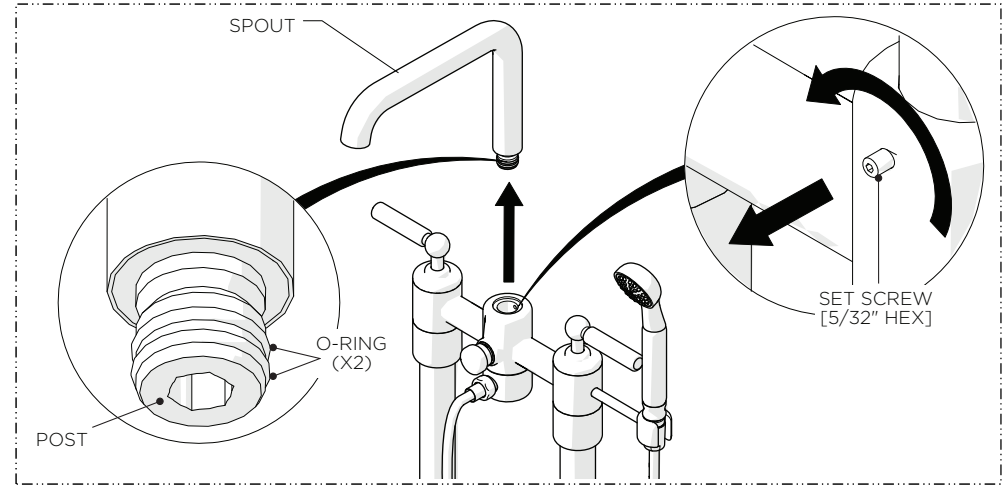
STYLE No. LDXTSE

Ludlow Shinola Edition Floor Mounted Exposed Tub Filler with Handshower



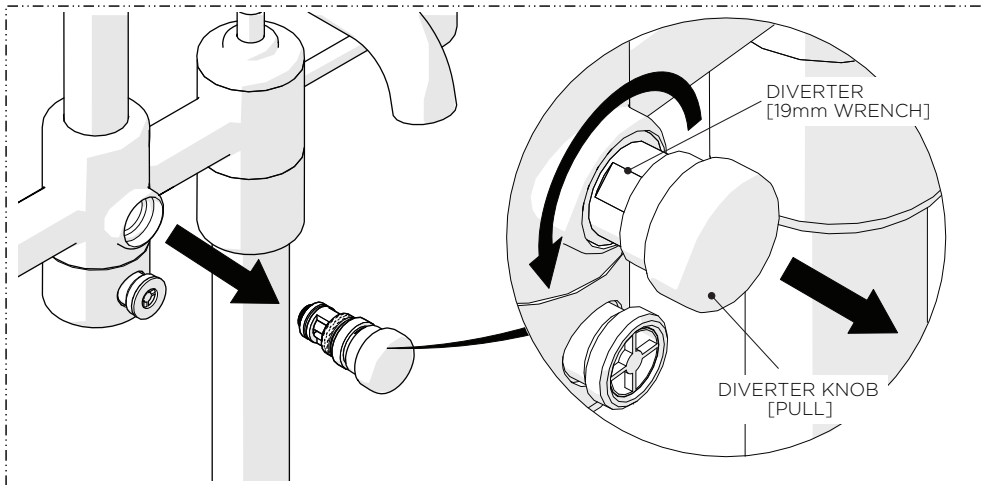
SERVICING THE CARTRIDGE:

1. Unthread the GLAND COVER and pull the HANDLE off to expose the CARTRIDGE then unthread and remove the CARTRIDGE using a 21/32" [17mm] shower valve socket wrench.



SERVICING THE SPOUT:

1. Loosen but do NOT remove the SET SCREW at the base of the SPOUT then remove the SPOUT to expose the POST and external O-RINGS.



SERVICING THE DIVERTER:

1. Pull the DIVERTER KNOB to expose the DIVERTER NUT then unthread and remove the DIVERTER using a 19mm wrench.