

## R.W. ATLAS

RWSK51

R.W. Atlas 16" x 13 1/16" x 7 1/16" Stone Apron Bar Sink with Center Drain



### TECHNICAL DETAILS

ADA Compliance: When installed per ADA guidelines  
Bowl Shape: Rectangular  
Drain Hole Diameter: 2 1/2"  
Garbage Disposal: N  
Depth / Width: 13 1/16"  
Height: 7 1/16"  
Length: 16"  
Outer Rim Shape: Rectangular  
Primary Material: Stone  
Sound Proofing: N  
Suggested Application: Bar, Kitchen, Laundry

### INSPIRATION

Powerful shapes, genuine materials and unique aesthetic details. The original, impeccable vision of R.W. Atlas pairs American ingenuity with European craftsmanship.

### PRODUCT FEATURES

Carved from a single block of stone  
Polished finish on all 4 sides for apron installation in any orientation  
Designed to be used with 2 1/2" Bar drain(UNKS15) Sold Separately  
Not for use with garbage disposals  
Can be installed as a vessel-style sink on top of a counter

### PRODUCT (NOTES)

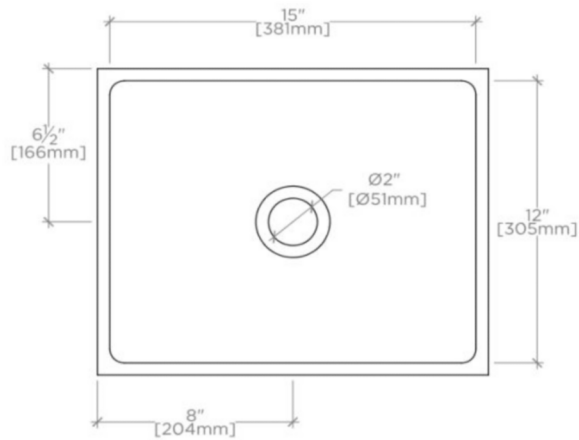
Dimensions of sinks are nominal and are subject to slight variations.

# WATERWORKS

## R.W. ATLAS

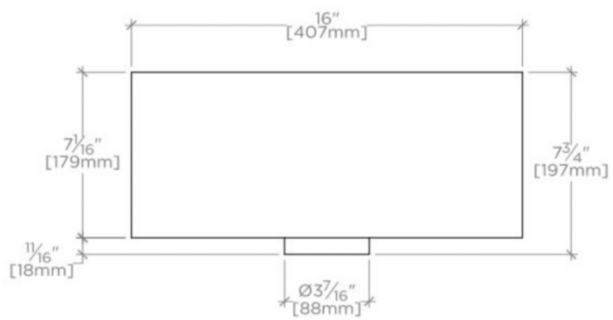
RWSK51

R.W. Atlas 16" x 13 1/16" x 7 1/16" Stone Apron Bar Sink with Center Drain



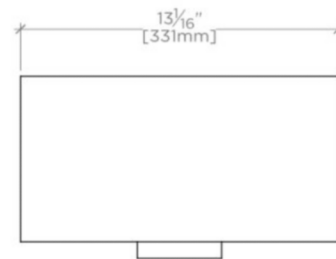
TOP VIEW

SCALE: 1/2"=1'-0"



FRONT VIEW

SCALE: 1/2"=1'-0"



SIDE VIEW

SCALE: 1/2"=1'-0"