

.25

PTLV13

.25 Lithic Rectangular Wall Mounted Single Sink for Three Hole Faucet



SHOWN IN [.25 LITHIC RECTANGULAR WALL MOUNTED SINGLE SINK FOR THREE HOLE FAUCET] PTLV13

TECHNICAL DETAILS

Bowl Shape: Rectangular
 Drain Hole Depth: 2"
 Drain Hole Diameter: 1 3/4"
 Fitting Hole Configuration / Number: Three Holes
 Fittings Hole Depth: 5/8"
 Fittings Hole Diameter: 1 3/8"
 Depth / Width: 20"
 Height: 19 1/2"
 Item Weight (Filled): 200.0 pounds
 Length: 26"
 Outer Rim Shape: Rectangular
 Overflow Opening: Yes
 Primary Material: Molded Marble
 Rough-in Supply Height Recommended: 21"
 Rough-in Waste Height Recommended: 19"

INSPIRATION

.25 is the ultimate in utilitarian elegance: A simple and understated design that is equally functional and beautiful.

PRODUCT FEATURES

Made from Lithic, our proprietary natural stone and epoxy resin composite material

Drilled for three hole faucets

Please ensure suitable construction and installation takes into account the particular weight of this product. Item Weight: 150 lbs.



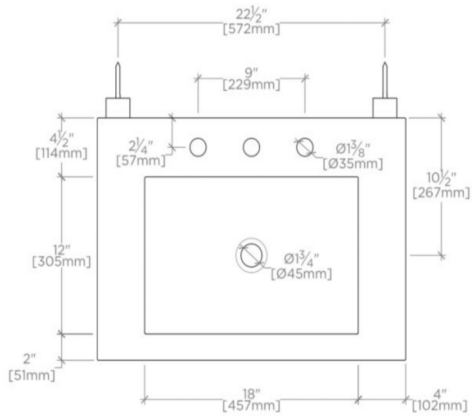
PRODUCT (NOTES)

Please ensure suitable construction and installation takes into account the particular weight of this product. Item Weight: 150 lbs.

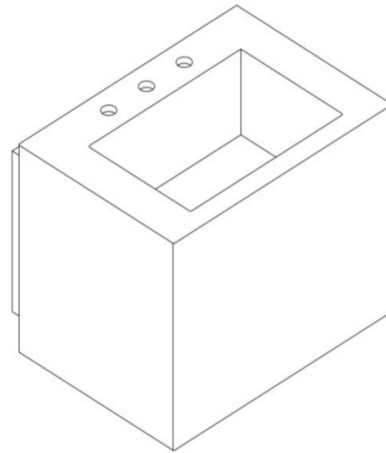
.25

PTLV13

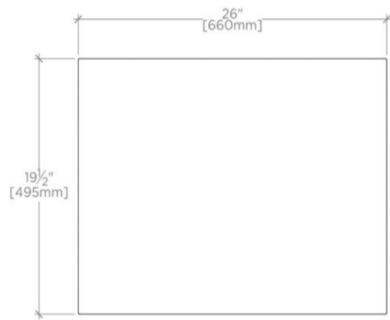
.25 Lithic Rectangular Wall Mounted Single Sink for Three Hole Faucet



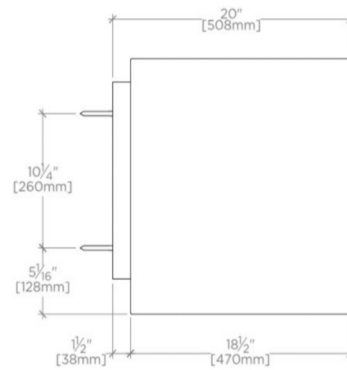
TOP VIEW SCALE: 1"=1'-0"



ISO VIEW SCALE: 1"=1'-0"



FRONT VIEW SCALE: 1"=1'-0"



SIDE VIEW SCALE: 1"=1'-0"