

DASH

DSLS30

Dash Gooseneck Three Hole Deck Mounted Lavatory Faucet with Metal Lever Handles



SHOWN IN DASH GOOSENECK THREE HOLE DECK MOUNTED LAVATORY FAUCET WITH METAL LEVER HANDLES| DSLS30

TECHNICAL DETAILS

Deck Thickness Maximum: 40 mm
 Deck Thickness Minimum: 6 mm
 Drain Assembly Materials: Brass, Rubber, Plastic
 Drain Depth Maximum: 67 mm
 Drain Hole Diameter: 44 mm
 Drain Style: Push-Touch
 Escutcheon Primary Material: Brass
 Fittings Hole Diameter: 35 mm
 Flow Restriction Options: 1.75, 1.5, 1.2, 1.0
 Handle Spread Maximum: 305 mm
 Handle Spread Minimum: 203 mm
 Handle Turn Angle: Quarter Turn
 Depth / Width: 202 mm
 Drain Depth Minimum: 10 mm
 Height: 202 mm
 Inlet Connection Size: 1/2"
 Inlet Connection Type: Male with Supply Nut
 Inlet Supply Spread Maximum: 305 mm
 Inlet Supply Spread Minimum: 203 mm
 Installation Type: Deck Mounted
 Length: 408 mm
 Number of Handles: Two
 Number of Holes: Three Hole
 Primary Material: Brass
 Restricted Maximum Flow Rate: 8.3 liters/min
 Spout Swivel: N
 Suggested Application: Bath
 Valve Material: Ceramic
 Water Pressure Maximum: 6.0 bar
 Water Pressure Minimum: 1.5 bar
 Water Pressure Recommended: 3.0 bar

INSPIRATION

A blend of art and function, Dash pays homage to design elements of the 1930s with pared-down shapes, softened curves and minimal details.

PRODUCT FEATURES

Metal Lever Handle

Includes European push touch style drain.

Stocked in Nickel, Chrome, Unlacquered Brass, and Matte Nickel finishes

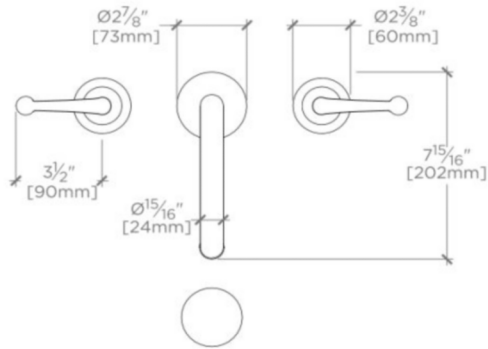
Standard flow rate is 2.2gpm (8.3 L/min) and State of California requires 1.2gpm(4.5 L/min). Also available in other flow options. Contact a sales associate for details.

WATERWORKS

DASH

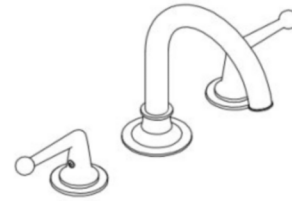
DSLS30

Dash Gooseneck Three Hole Deck Mounted Lavatory Faucet with Metal Lever Handles



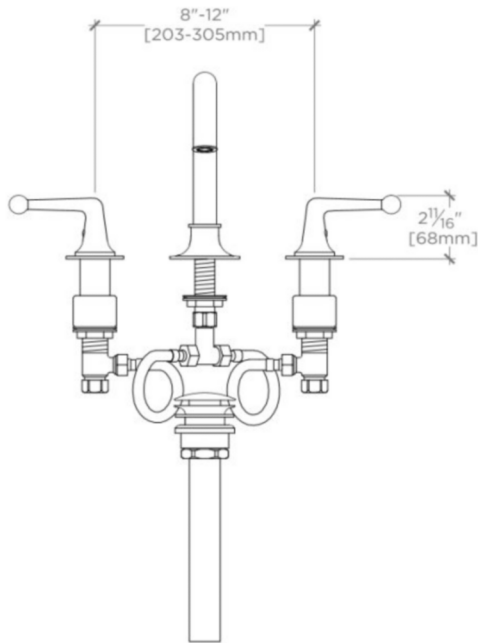
TOP VIEW

SCALE: $1\frac{1}{2}"=1'-0"$



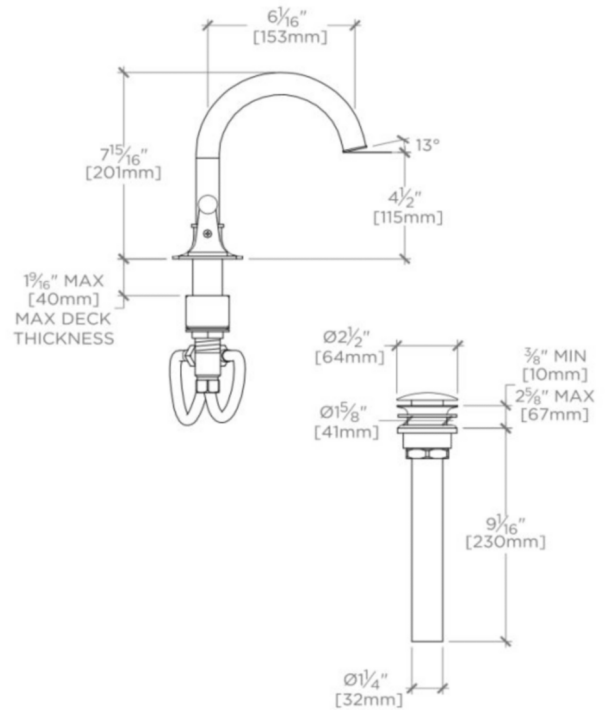
ISO VIEW

SCALE: $1\frac{1}{2}"=1'-0"$



FRONT VIEW

SCALE: $1\frac{1}{2}"=1'-0"$



SIDE VIEW

SCALE: $1\frac{1}{2}"=1'-0"$