

## DECIBEL

DBVC20

Decibel Dual Volume Control Valves Trim with Metal Knob Handles and Valves



SHOWN IN DECIBEL DUAL VOLUME CONTROL VALVES TRIM WITH METAL KNOB HANDLES AND VALVES| DBVC20

### TECHNICAL DETAILS

Control Valve Rough-in Depth Maximum: 6 1/8"  
Control Valve Rough-in Depth Minimum: 2 3/8"  
Escutcheon Primary Material: Brass  
Fittings Hole Diameter: 1 3/8"  
Handle Spread Maximum: 8"  
Handle Spread Minimum: 8"  
Handle Turn Angle: Quarter Turn  
Depth / Width: 2"  
Height: 2 1/2"  
Inlet Connection Size: 1/2"  
Inlet Connection Type: Female NPT  
Inlet Supply Spread Maximum: 8"  
Inlet Supply Spread Minimum: 8"  
Length: 10 3/4"  
Number of Holes: Two Hole  
Primary Material: Brass  
Valve Material: Brass, Ceramic  
Water Pressure Maximum: 80.0 psi  
Water Pressure Minimum: 20.0 psi  
Water Pressure Recommended: 45.0 psi

### INSPIRATION

Inspired by classic record players, Decibel gives all the sleekness of contemporary design, enhanced with special detailing.

### PRODUCT FEATURES

Knob Handle

This item is stocked in Chrome and Nickel finishes.

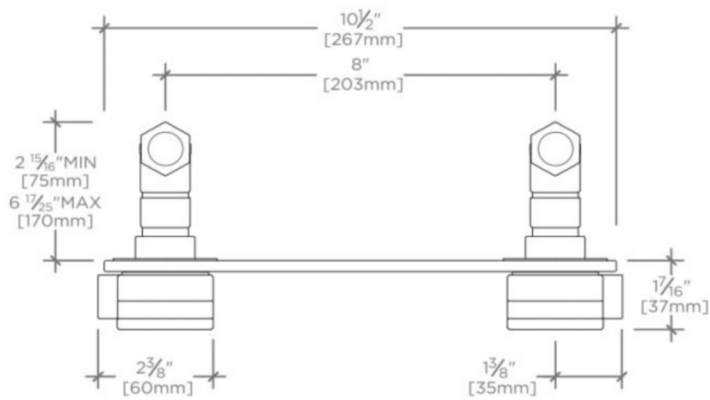
Includes 1/2" valve roughs for Hot and Cold

# WATERWORKS

## DECIBEL

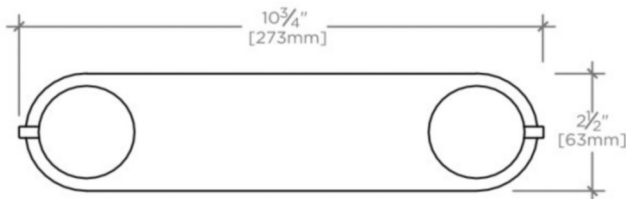
DBVC20

Decibel Dual Volume Control Valves Trim with Metal Knob Handles and Valves



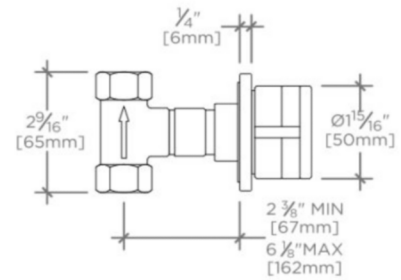
TOP VIEW

SCALE: 3"=1'-0"



FRONT VIEW

SCALE: 3"=1'-0"



SIDE VIEW

SCALE: 3"=1'-0"