

WATERWORKS

JULIA

Julia Three Hole High Profile Kitchen Faucet, Metal Cross Handles

JUKM28



SHOWN IN JULIA THREE HOLE HIGH PROFILE KITCHEN FAUCET, METAL CROSS HANDLES| JUKM28

TECHNICAL DETAILS

ADA Compliance: Yes
Adjustable versus Fixed Spray: Fixed Spray
Deck Thickness Maximum: 1 1/2"
Deck Thickness Minimum: 0"
Escutcheon Primary Material: Brass
Fittings Hole Diameter: 1 1/4"
Flow Restriction Options: 1.75, 1.5, 1.0
Handle Spread Maximum: 12"
Handle Spread Minimum: 8"
Handle Turn Angle: Quarter Turn
Index Color / Finish and Material: White Porcelain
Depth / Width: 11 1/2"
Height: 9 5/8"
Index Marking: Hot/Cold
Inlet Connection Size: 1/2"
Inlet Connection Type: Male With Supply Nut
Inlet Supply Spread Maximum: 12"
Inlet Supply Spread Minimum: 8"
Length: 11 1/2"
Number of Handles: Two
Number of Holes: Three Hole
Primary Material: Brass
Restricted Maximum Flow Rate: 2.2 gpm
Spout Swivel: Y
Spray Included in Unit: N
Suggested Application: Bar, Kitchen, Laundry
Valve Material: Ceramic
Water Pressure Maximum: 85.0 psi
Water Pressure Minimum: 20.0 psi
Water Pressure Recommended: 45.0 psi

INSPIRATION

An interpretation of 1920s French country, Julia speaks to decoration and intricate design displayed through beautifully composed turnings. These details embody the robust, signature high profile spout enabling Julia to transition fluidly from informal to formal environments.

PRODUCT FEATURES

Features signature detail of the graceful, high profile swivel spout, and metal indices engraved in a simplistic "H" or "C." The addition of a kitchen spray completes the look and functionality of any kitchen.

Standard flow rate is 2.2gpm (8.3 L/min) and State of California requires a maximum of 1.8gpm(6.8 L/min). Also available in other flow options. Contact a sales associate for details.

CODES & STANDARDS

Code # JUKM28: ASME A112.18.1 / CSA B125.1, CEC

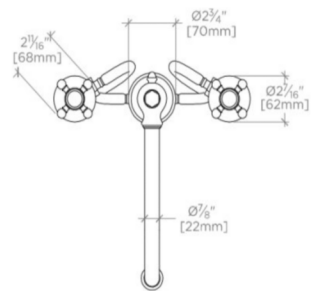


WATERWORKS

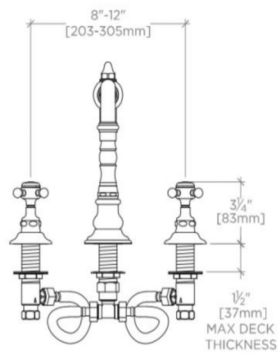
JULIA

JUKM28

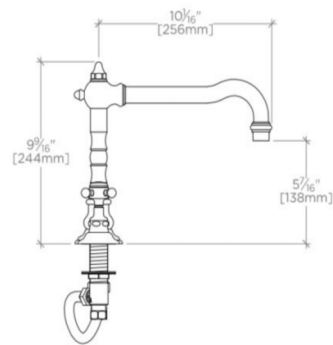
Julia Three Hole High Profile Kitchen Faucet, Metal Cross Handles



TOP VIEW SCALE: 1 1/2"=1'-0"



FRONT VIEW SCALE: 1 1/2"=1'-0"



SIDE VIEW SCALE: 1 1/2"=1'-0"