

WATERWORKS

PRODUCT SUPPORT
800.927.2120
WATERWORKS.COM

EASTON

Double Hook in Chrome

STYLE No. 929279
REFERENCE No. EARH49C
ITEM No. 22-71894-73868

SPECIFICATIONS
PAGE 1 OF 3

DESIGN

FEATURES



SHOWN IN Nickel

WATERWORKS

PRODUCT SUPPORT
800.927.2120
WATERWORKS.COM

EASTON

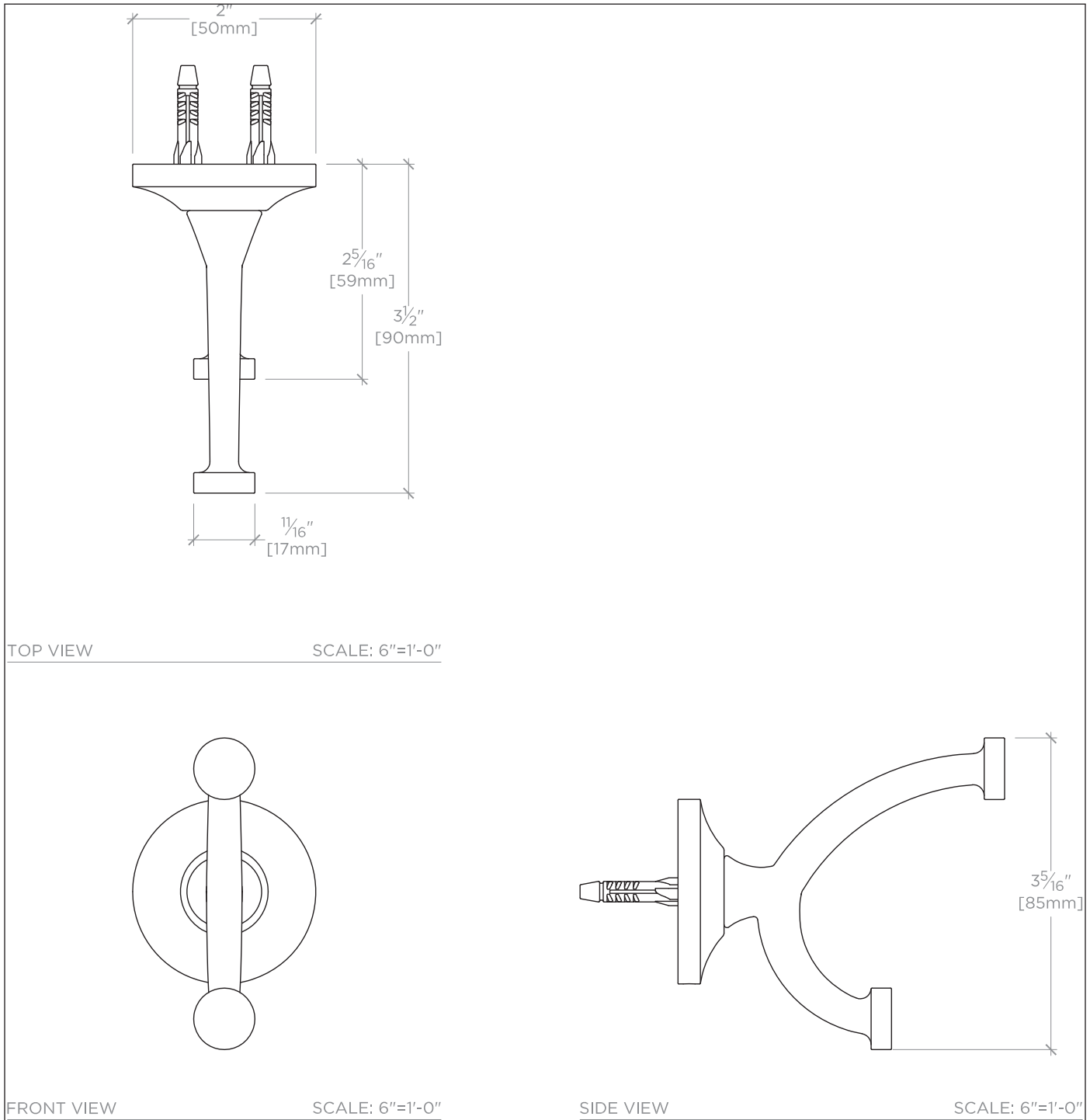
Double Hook in Chrome

STYLE No. 929279
REFERENCE No. EARH49C
ITEM No. 22-71894-73868

SPECIFICATIONS

PAGE 2 OF 3

All dimensions are based on original specifications and are subject to change and variation. Please consult your Design Associate for current specifications.



TOP VIEW

SCALE: 6"=1'-0"

FRONT VIEW

SCALE: 6"=1'-0"

SIDE VIEW

SCALE: 6"=1'-0"

WATERWORKS

PRODUCT SUPPORT
800.927.2120
WATERWORKS.COM

EASTON

Double Hook in Chrome

STYLE No. 929279
REFERENCE No. EARH49C
ITEM No. 22-71894-73868

SPECIFICATIONS
PAGE 3 OF 3

SPECIFICATIONS

Primary Material: Brass

CARE INSTRUCTIONS

To clean the finish, wipe gently with a soft damp cloth and then with a soft dry towel. A mild soap solution can be used for daily cleaning.

CODES AND STANDARDS