

UNIVERSAL

Universal 3 1/4" Shower Head, Arm and Flange

UNSH37



SHOWN IN UNIVERSAL 3 1/4" SHOWER HEAD, ARM AND FLANGE| UNSH37

TECHNICAL DETAILS

ADA Compliance: Yes
Adjustable versus Fixed Spray: Adjustable Spray
Diameter of Head: 3 1/4"
Escutcheon Primary Material: Brass
Fittings Hole Diameter: 7/8"
Flow Restriction Options: 2.0, 1.5
Depth / Width: 12 3/16"
Height: 6 5/8"
Inlet Connection Size: 1/2"
Inlet Connection Type: Male NPT
Installation Type: Wall Mounted
Integrated Diverter: N
Length: 4"
Pivot: Y
Primary Material: Brass
Restricted Maximum Flow Rate: 2.5 gpm
Suggested Application: Bath
Water Pressure Maximum: 85.0 psi
Water Pressure Minimum: 25.0 psi
Water Pressure Recommended: 45.0 psi

INSPIRATION

Our Universal collection features timeless designs complementing any of our Waterworks. With a wide range of product, from fittings to accessories, Universal adds exquisite proportion and balance to any environment.

CODES & STANDARDS

Code # WWSH37: ASME A112.18.1 / CSA B125.1, IAPMO, State of MA, CEC

PRODUCT FEATURES

Add elegant utility and a gently refreshing rainfall effect to your daily ritual with an exquisitely proportioned Universal showerhead

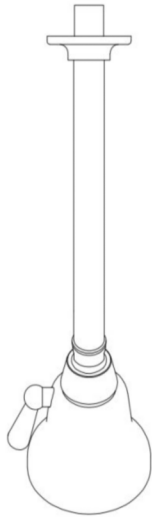
Standard flow rate is 2.5gpm (9.5 L/min). Also available in high efficient flow options. Contact your sales associate or call 1 (800) 899-6757 for details.



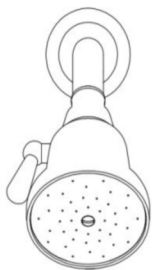
UNIVERSAL

UNSH37

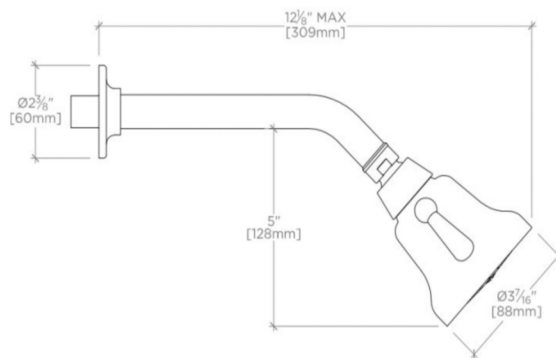
Universal 3 1/4" Shower Head, Arm and Flange



TOP VIEW SCALE: 3"=1'-0"



FRONT VIEW SCALE: 3"=1'-0"



SIDE VIEW

SCALE: 3"=1'-0"