

R.W. ATLAS

RWTH10

R.W. Atlas Thermostatic Control Valve Trim with Metal Lever Handle



SHOWN IN R.W. ATLAS THERMOSTATIC CONTROL VALVE TRIM WITH METAL LEVER HANDLE| RWTH10

TECHNICAL DETAILS

ADA Compliance: Yes
Control Valve Rough-in Depth Maximum: 83 mm
Control Valve Rough-in Depth Minimum: 64 mm
Diverter Valve Rough-in Depth Maximum: 105 mm
Diverter Valve Rough-in Depth Minimum: 79 mm
Fittings Hole Diameter: 133 mm
Depth / Width: 98 mm
Height: 160 mm
Integrated Diverter: N
Integrated Spray: N
Length: 171 mm
Number of Handles: One
Pivot: N
Primary Material: Brass
Spout Swivel: N
Spray Included in Unit: N
Suggested Application: Bath

INSPIRATION

Powerful shapes, genuine materials and unique aesthetic details. The original, impeccable vision of R.W. Atlas pairs American ingenuity with European craftsmanship.

CODES & STANDARDS

Code # RWTH10:

PRODUCT FEATURES

Features knurled detail on the handle.
Features knurled detail on the handle.
Offers a temperature limit stop with override button.
Meets ADA requirements.

CERTIFICATIONS



PRODUCT (NOTES)

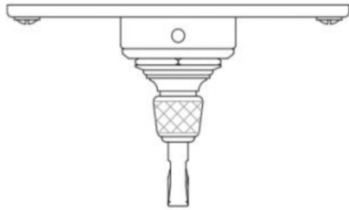
Requires 3/4" Universal Thermostatic Valve: 26-42456-04860.

WATERWORKS

R.W. ATLAS

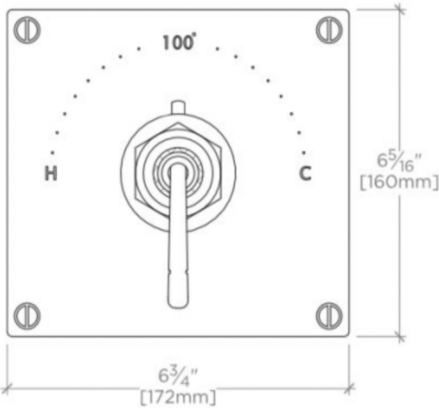
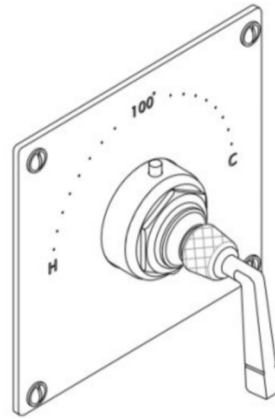
RWTH10

R.W. Atlas Thermostatic Control Valve Trim with Metal Lever Handle



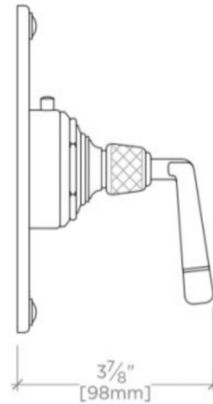
TOP VIEW

SCALE: 3"=1'-0"



FRONT VIEW

SCALE: 3"=1'-0"



SIDE VIEW

SCALE: 3"=1'-0"