

AERO

Aero One Hole Bidet Fitting with Cross Handles

AEBF10



SHOWN IN AERO ONE HOLE BIDET FITTING WITH CROSS HANDLES| AEBF10

TECHNICAL DETAILS

ADA Compliance: Yes
Adjustable versus Fixed Spray: Fixed Spray
Deck Thickness Maximum: 1 1/2"
Deck Thickness Minimum: 0"
Drain Assembly Materials: Brass
Drain Depth Maximum: 1 3/4"
Drain Hole Diameter: 1 5/8"
Drain Style: Pop-up
Escutcheon Primary Material: Brass
Fittings Hole Diameter: 1 3/8"
Handle Spread Maximum: 5 3/4"
Handle Spread Minimum: 5 3/4"
Handle Turn Angle: Quarter Turn
Depth / Width: 4 1/2"
Drain Depth Minimum: 1 3/8"
Height: 4 1/8"
Inlet Connection Size: 3/8"
Inlet Connection Type: O.D. Supply Tubing
Installation Type: Deck Mounted
Length: 7 1/2"
Number of Handles: Two
Number of Holes: One Hole
Pivot: N
Primary Material: Brass
Spout Swivel: Y
Suggested Application: Bath
Valve Material: Ceramic
Water Pressure Maximum: 75.0 psi
Water Pressure Minimum: 20.0 psi
Water Pressure Recommended: 45.0 psi

INSPIRATION

Inspired by the stepped detail of 19th century telescopes, Aero is a combination of historical reference with a contemporary temperament. The result is original and modern, bringing a look of updated elegance.

CODES & STANDARDS

Code # AEBF10: Certified with IAPMO & State of MA. Compliant with ASME A112.18.1/CSA B125.1, ASME A112.18.2/CSA B125.2, ANSI A117.1 ADA & ASTM E 1621-05

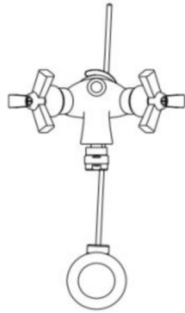
PRODUCT FEATURES

Metal cross handles
Features a swivel spray head
Features signature stepped and gadrooned details on escutcheons and edge of spout
Stocked in Chrome and Nickel
Available in 2.2gpm (8.3L/min) flow rate

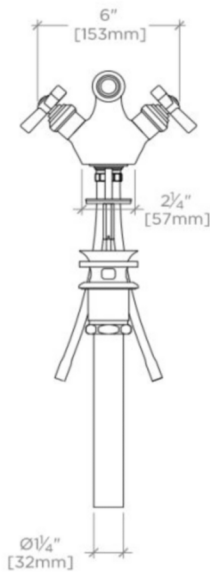
AERO

AEBF10

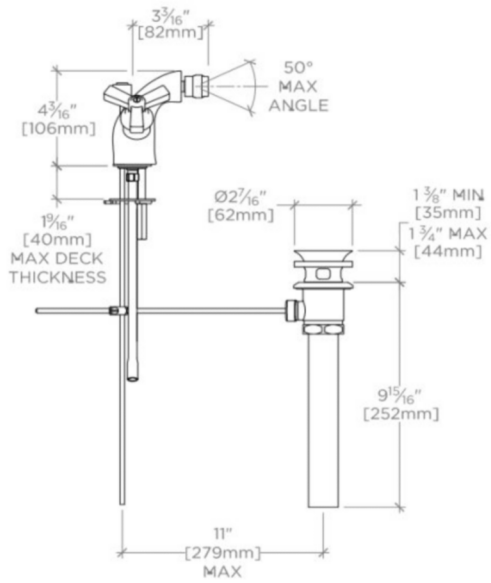
Aero One Hole Bidet Fitting with Cross Handles



TOP VIEW SCALE: 1 1/2"=1'-0"



FRONT VIEW SCALE: 1 1/2"=1'-0"



SIDE VIEW SCALE: 1 1/2"=1'-0"