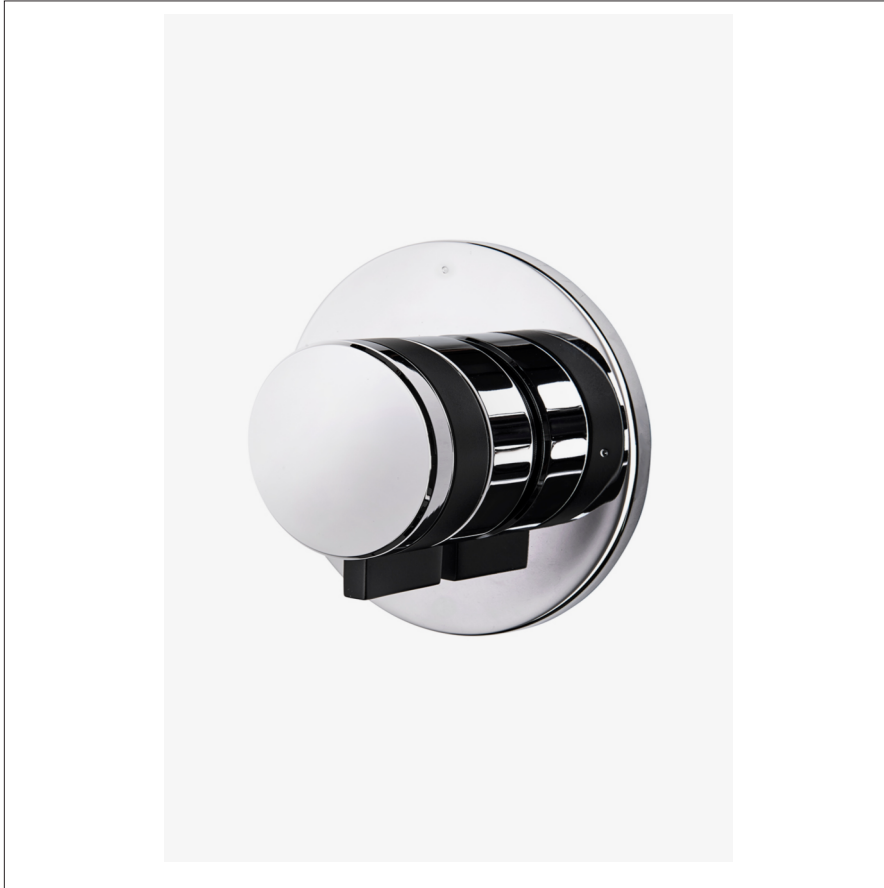


DECIBEL

DB3P01

Decibel Three Way Diverter Valve Trim for Pressure Balance with Modern Dot and Metal Knob



SHOWN IN DECIBEL THREE WAY DIVERTER VALVE TRIM FOR PRESSURE BALANCE WITH MODERN DOT AND METAL KNOB|

TECHNICAL DETAILS

Control Valve Rough-in Depth Maximum: 5 5/8"
Control Valve Rough-in Depth Minimum: 3 1/8"
Escutcheon Primary Material: Brass
Fittings Hole Diameter: 1 3/8"
Depth / Width: 1 15/16"
Height: 3 3/4"
Length: 3 3/4"
Primary Material: Brass
Water Pressure Maximum: 80.0 psi
Water Pressure Minimum: 20.0 psi
Water Pressure Recommended: 45.0 psi

INSPIRATION

Inspired by classic record players, Decibel gives all the sleekness of contemporary design, enhanced with special detailing.

PRODUCT FEATURES

Knob Handle

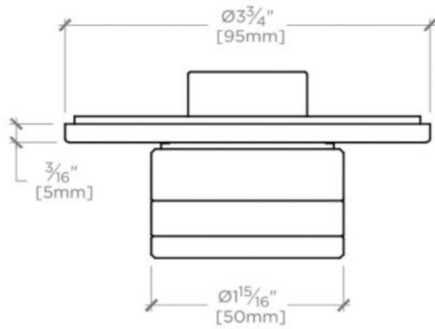
This item is stocked in Chrome and Nickel finishes.

Requires valve rough GUDV65(USA) or GU56DV(UK) sold separately

DECIBEL

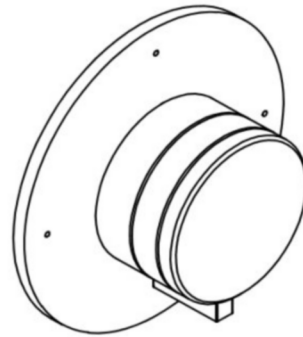
DB3P01

Decibel Three Way Diverter Valve Trim for Pressure Balance with Modern Dot and Metal Knob



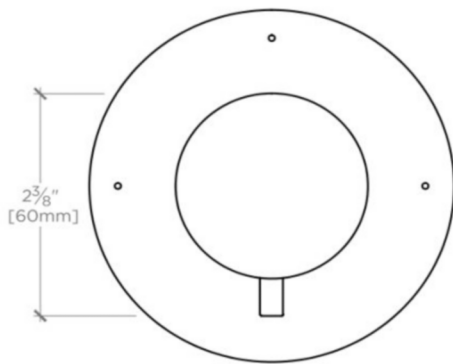
TOP VIEW

SCALE: 6"=1'-0"



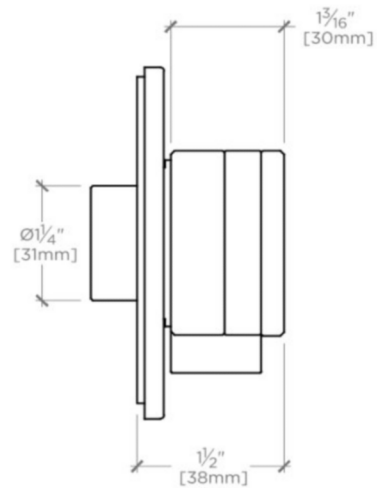
ISO VIEW

SCALE: 6"=1'-0"



FRONT VIEW

SCALE: 6"=1'-0"



SIDE VIEW

SCALE: 6"=1'-0"