

## DECIBEL

DB2T10

Decibel Two Way Diverter Valve Trim for Thermostatic with Modern Dot and Metal Lever



SHOWN IN DECIBEL TWO WAY DIVERTER VALVE TRIM FOR THERMOSTATIC WITH MODERN DOT AND METAL LEVER| DB2T10

### TECHNICAL DETAILS

Control Valve Rough-in Depth Maximum: 5 5/8"  
Control Valve Rough-in Depth Minimum: 3 1/8"  
Escutcheon Primary Material: Brass  
Fittings Hole Diameter: 1 3/8"  
Depth / Width: 3"  
Height: 5"  
Length: 3 3/4"  
Primary Material: Brass  
Water Pressure Maximum: 80.0 psi  
Water Pressure Minimum: 20.0 psi  
Water Pressure Recommended: 45.0 psi

### INSPIRATION

Inspired by classic record players, Decibel gives all the sleekness of contemporary design, enhanced with special detailing.

### PRODUCT FEATURES

Lever Handle

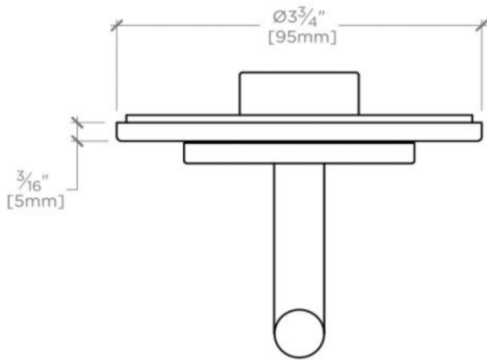
This item is stocked in Chrome and Nickel finishes.

Requires valve rough GUDV14(USA) or GU14DV(UK) sold separately

## DECIBEL

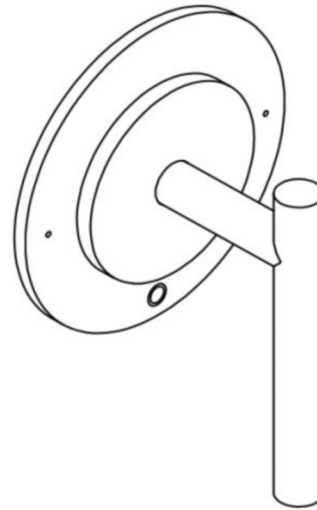
DB2T10

Decibel Two Way Diverter Valve Trim for Thermostatic with Modern Dot and Metal Lever



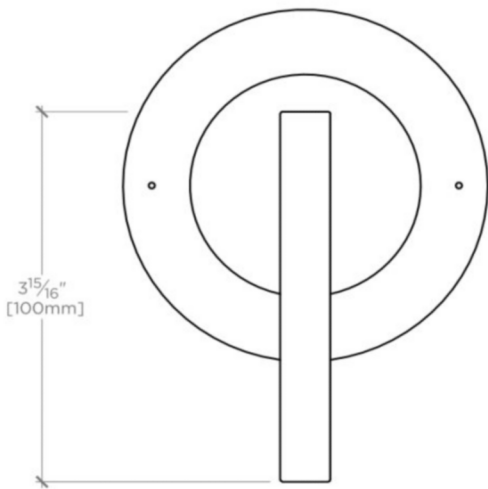
TOP VIEW

SCALE: 6"=1'-0"



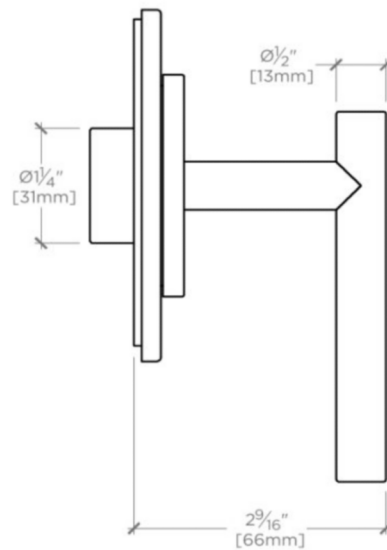
ISO VIEW

SCALE: 6"=1'-0"



FRONT VIEW

SCALE: 6"=1'-0"



SIDE VIEW

SCALE: 6"=1'-0"