

CRYSTAL

Crystal Wall Mounted Three Piece Paper Holder

CRPH35



SHOWN IN CRYSTAL WALL MOUNTED THREE PIECE PAPER HOLDER | CRPH35

TECHNICAL DETAILS

Escutcheon Primary Material: Brass
Length From Centers: 5 7/8"
Depth / Width: 76 mm
Height: 44 mm
Installation Type: Wall Mounted
Length: 197 mm
Primary Material: Brass
Suggested Application: Bath

INSPIRATION

Comprehensive and universal, the classic design of Crystal is appropriate to partner with any line of fittings and fixtures from modern to traditional. The weight and quality of these handcrafted pieces is unsurpassed.

PRODUCT FEATURES

7 3/4" x 3" x 1 3/4"

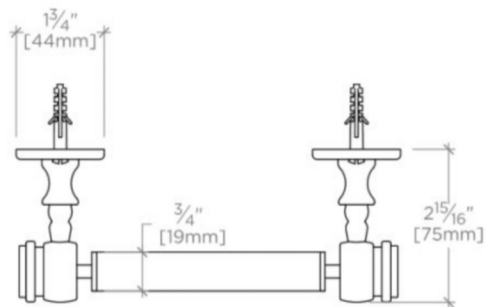
Made from Brass

Mounting hardware included

CRYSTAL

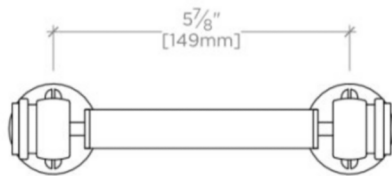
CRPH35

Crystal Wall Mounted Three Piece Paper Holder



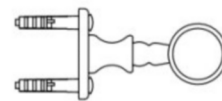
TOP VIEW

SCALE: 3"=1'-0"



FRONT VIEW

SCALE: 3"=1'-0"



SIDE VIEW

SCALE: 3"=1'-0"