

UNIVERSAL

Universal 1/2" Thermostatic Valve

GU56TH



SHOWN IN FITTINGS FINISHING DETAILS

TECHNICAL DETAILS

Fittings Hole Diameter: 114 mm
Depth / Width: 178 mm
Height: 70 mm
Inlet Connection Size: 1/2"
Inlet Connection Type: Female G/BSPP
Length: 140 mm
Outlet Connection Size: 1/2"
Outlet Connection Type: Female BSP
Primary Material: Brass
Suggested Application: Bath
Valve Material: Wax Element
Water Pressure Maximum: 5.5 bar
Water Pressure Minimum: 1.5 bar
Water Pressure Recommended: 3.0 bar

INSPIRATION

Our Universal collection features timeless designs complementing any of our Waterworks. With a wide range of product, from fittings to accessories, Universal adds exquisite proportion and balance to any environment.

CODES & STANDARDS

Code # GU56TH: Certified with cUPC, NSF, IAPMO, CSA and WRAS.

PRODUCT FEATURES

For use with Waterworks Studio Thermostatic system trims
1/2" NPT female inlet and outlet with quarter turn functionality
Custom tile guard ensures precise tiling, while providing accessibility in servicing the valve.
7 gpm unrestricted maximum flow at 45 psi
Integrated check valves guarantee there is no crossover of hot or cold water.

CERTIFICATIONS



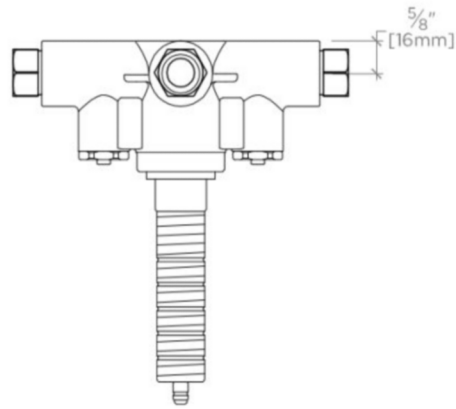
WATERWORKS

UNIVERSAL

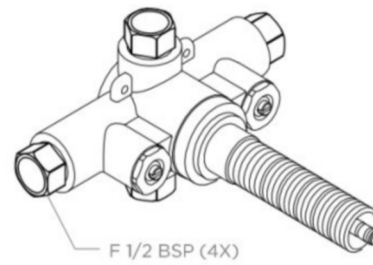
GU56TH

Universal 1/2" Thermostatic Valve

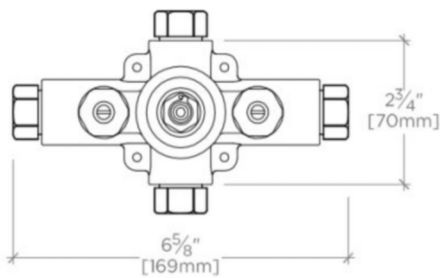
ADAPTER(S) PACKAGED SEPARATELY		
ADAPTER	DESCRIPTION	QTY
UNUK02	1/2" Male NPT x 1/2" Female BSP	4



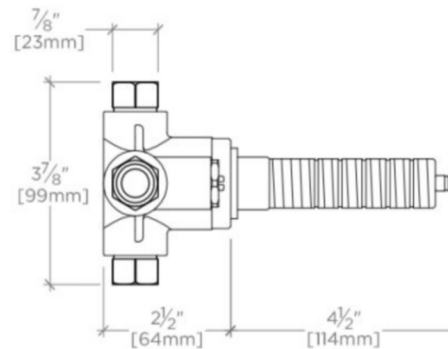
TOP VIEW SCALE: 3"=1'-0"



ISO VIEW SCALE: 3"=1'-0"



FRONT VIEW SCALE: 3"=1'-0"



SIDE VIEW SCALE: 3"=1'-0"