

FORMWORK

FMBT72

Formwork 72" x 41 3/8" x 24" Lithic Freestanding or Alcove Oval Side Bathtub with Center Drain



SHOWN IN FORMWORK 72" X 41 3/8" X 24" LITHIC FREESTANDING OR ALCOVE OVAL SIDE BATHTUB WITH CENTER DRAIN|

TECHNICAL DETAILS

Adjustable Levelers / Feet: N
Assembly / Configuration: One Piece
Bathing Type: Bathing and Soaking
Bottom Angle / Pitch: 1.0 degree_angle
Depth to Overflow: 15 1/8"
Drain Hole Depth: 1 7/8"
Drain Hole Diameter: 2"
Drilling Option: None
Depth / Width: 41 7/16"
Height: 24"
Item Weight (Filled): 1850.0 pounds
Length: 72"
Overflow Hole Diameter: 1 7/8"
Overflow Opening: Yes
Primary Material: Lithic
Single or Double Ended: Double Ended

INSPIRATION

Sculptural forms that defy the ordinary. Unexpected geometry and the transition of the planes create a subtle but warm expression.

PRODUCT FEATURES

Made from Lithic, our proprietary natural stone and epoxy resin composite material with superior insulating properties, ensuring maximum retention in the bathtub.

Each piece is individually cast and finished with more than 20 hours of hand polishing.

Can be installed as freestanding or in an alcove with use of optional tile flange set (UNFL01). Uses PTWO04 Waste and Overflow drain set.

Delivery Method: Curbside Only. Installations above the ground floor may require special equipment, such as, a

PRODUCT (NOTES)

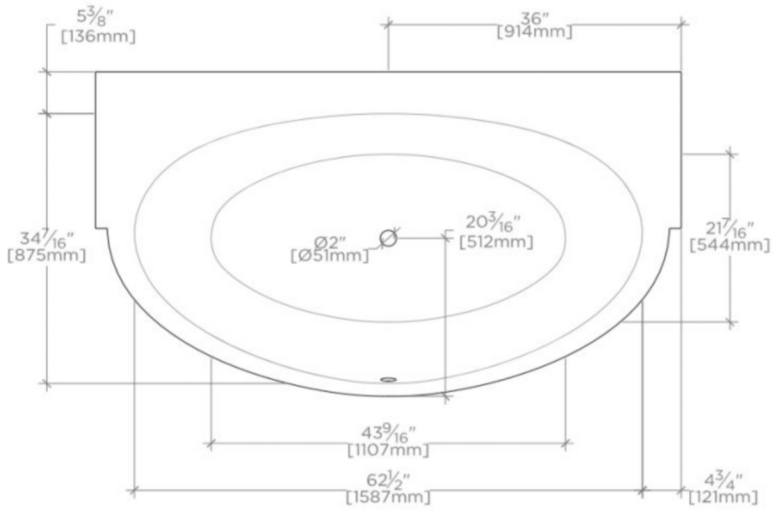
Dimensions of fixtures are nominal. Measure your actual product for rough-in details. Please ensure suitable construction and installation takes into account the particular weight of this product. Item Weight: 1150 lbs.

WATERWORKS

FORMWORK

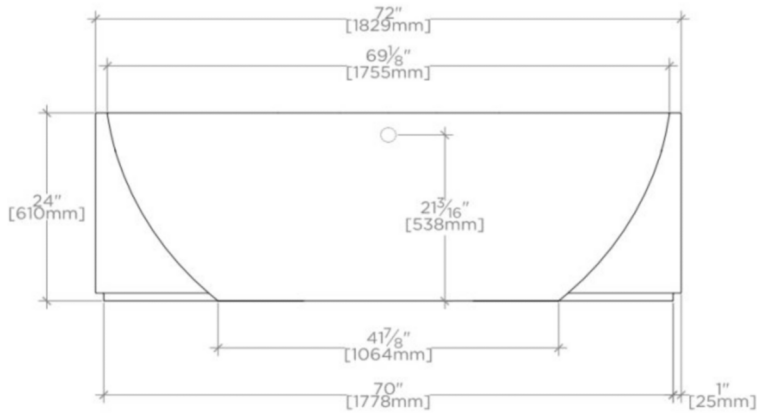
FMBT72

Formwork 72" x 41 3/8" x 24" Lithic Freestanding or Alcove Oval Side Bathtub with Center Drain



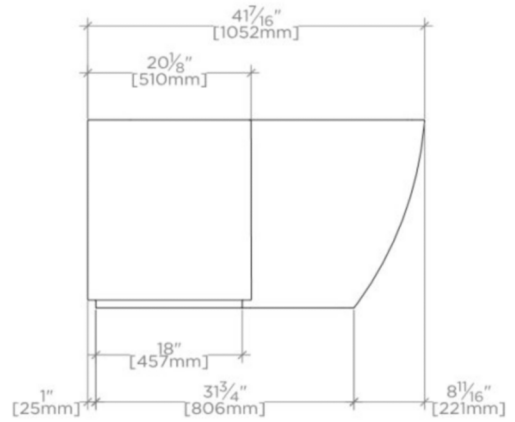
TOP VIEW

SCALE: 1/2"=1'-0"



SIDE VIEW

SCALE: 1/2"=1'-0"



END VIEW

SCALE: 1/2"=1'-0"