

UNIVERSAL

GU65DV

Universal Three Way Diverter Valve for Pressure Balance Shower Systems



SHOWN IN BRASS, THREE-WAY DIVERTER VALVE

TECHNICAL DETAILS

Fittings Hole Diameter: 64 mm
Handle Turn Angle: Quarter Turn Each Way
Depth / Width: 162 mm
Height: 92 mm
Inlet Connection Size: 1/2"
Inlet Connection Type: Female G
Length: 92 mm
Outlet Connection Size: 1/2"
Outlet Connection Type: Female BSP
Primary Material: Brass
Suggested Application: Bath
Valve Material: Ceramic
Water Pressure Maximum: 5.5 bar
Water Pressure Minimum: 1.5 bar
Water Pressure Recommended: 3.0 bar

INSPIRATION

Our Universal collection features timeless designs complementing any of our Waterworks or Waterworks Studio families. With a wide range of product, from fittings to accessories, Universal adds exquisite proportion and balance to any environment.

CODES & STANDARDS

Code # : Complies with ASME A112.18.1/CSA B125.

PRODUCT FEATURES

For use with Waterworks Pressure Balance system 3-way diverter valve trims
1/2" NPT female inlet and outlet with quarter turn functionality
Custom tile guard ensures precise tiling, while providing accessibility in servicing the valve.
16.9 gpm unrestricted maximum flow at 45 psi
Made of brass materials

WATERWORKS

UNIVERSAL

GU65DV

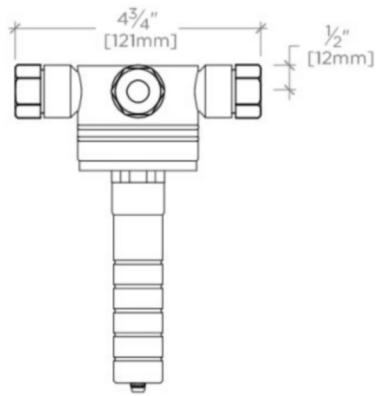
Universal Three Way Diverter Valve for Pressure Balance Shower Systems

ADAPTER(S) PACKAGED SEPARATELY

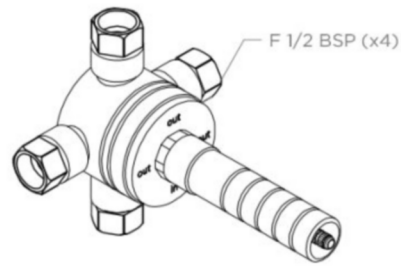
ADAPTER	DESCRIPTION	QTY
UNUK02	½" Male NPT x ½" Female BSP	4

ROUGH-IN DEPTH CHART

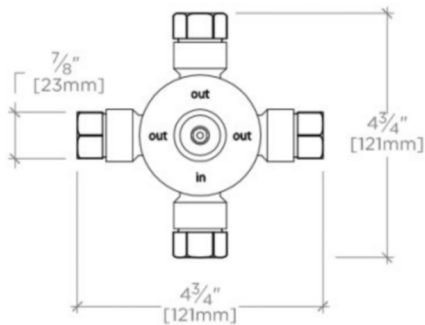
TRIM STYLE	A	
	MIN	MAX
.25	3 1/8	3 5/8
Flyte	3 1/8	3 5/8
Formwork	3	3 3/8
Henry	3 1/8	3 5/8
Ludlow	2 7/8	3 5/8
Opus	3 1/8	3 5/8
R.W. Atlas	3 1/8	3 5/8
All Other Trims	2 5/8	3 5/8



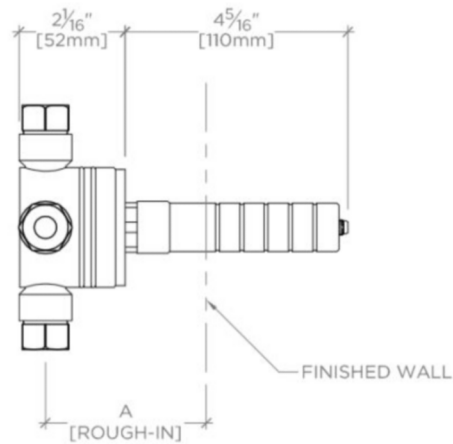
TOP VIEW SCALE: 3"=1'-0"



ISO VIEW SCALE: 3"=1'-0"



FRONT VIEW SCALE: 3"=1'-0"



SIDE VIEW SCALE: 3"=1'-0"