

## WATERWORKS

PRODUCT SUPPORT  
800.927.2120  
WATERWORKS.COM

# UNIVERSAL

Lift and Turn Drain without Overflow (less tailpiece) in Chrome

**STYLE No.** UNLD01  
**REFERENCE No.** WWPSK01C  
**ITEM No.** 26-32702-19115

**SPECIFICATIONS**  
PAGE 1 OF 3

### DESIGN

Our Universal collection features timeless designs complementing any of our Waterworks or Waterworks Studio families. With a wide range of product, from fittings to accessories, Universal adds exquisite proportion and balance to any environment.

### FEATURES

Turn the well designed finial to open and close drain

This item is stocked in a Chrome, Nickel or Matte Nickel finishes and additional made-to-order finish options are available in 12 weeks from purchase

For sinks without an overflow

Applicable to all Waterworks wall mounted lavatory faucets



SHOWN IN Nickel

**WATERWORKS**

PRODUCT SUPPORT  
800.927.2120  
WATERWORKS.COM

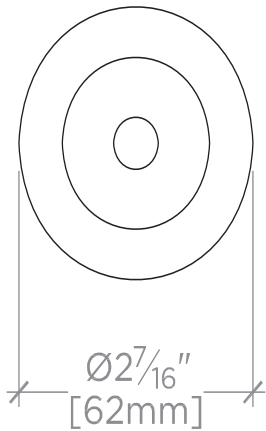
**UNIVERSAL**

Lift and Turn Drain without Overflow (less tailpiece) in Chrome

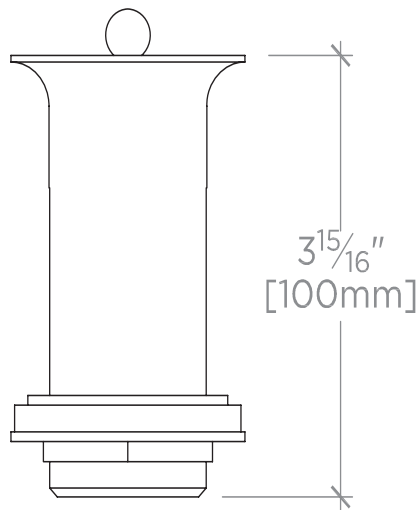
**STYLE No.** UNLD01  
**REFERENCE No.** WWPSK01C  
**ITEM No.** 26-32702-19115

**SPECIFICATIONS**  
PAGE 2 OF 3

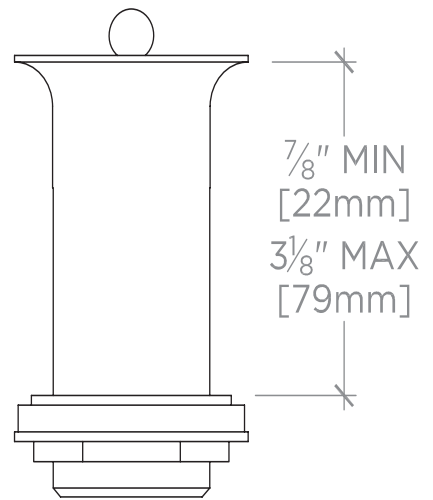
*All dimensions are based on original specifications and are subject to change and variation. Please consult your Design Associate for current specifications.*



TOP VIEW SCALE: 3"=1'-0"



FRONT VIEW SCALE: 3"=1'-0"



SIDE VIEW SCALE: 3"=1'-0"

## WATERWORKS

PRODUCT SUPPORT  
800.927.2120  
WATERWORKS.COM

# UNIVERSAL

Lift and Turn Drain without Overflow (less tailpiece) in Chrome

**STYLE No.** UNLD01

**REFERENCE No.** WWPSK01C

**ITEM No.** 26-32702-19115

## SPECIFICATIONS

PAGE 3 OF 3

### SPECIFICATIONS

Primary Material: Brass  
Drain Depth Maximum: 3 1/8"  
Drain Depth Minimum: 7/8"  
Drain Hole Diameter: 1 3/4"  
Drain Style: Lift and Turn  
Outlet Connection Size: 1 1/4"  
Outlet Connection Type: Tailpiece

### CARE INSTRUCTIONS

To clean the finish, wipe gently with a soft damp cloth and then with a soft dry towel. A mild soap solution can be used for daily cleaning.

### CODES AND STANDARDS