

.25

PT73SH

.25 Wall Mounted 5 1/2" Shower Head, Arm and Flange



SHOWN IN .25 5 1/2" SHOWER HEAD, ARM AND FLANGE| P7SH73

TECHNICAL DETAILS

Adjustable versus Fixed Spray: Fixed Spray
Diameter of Head: 140 mm
Escutcheon Primary Material: Brass
Fittings Hole Diameter: 32 mm
Depth / Width: 318 mm
Height: 159 mm
Inlet Connection Size: 1/2"
Inlet Connection Type: Male G/BSPP
Installation Type: Wall Mounted
Integrated Diverter: N
Length: 140 mm
Pivot: Y
Primary Material: Brass
Restricted Maximum Flow Rate: 9.5 liters/min
Suggested Application: Bath
Water Pressure Maximum: 6.0 bar
Water Pressure Minimum: 1.5 bar
Water Pressure Recommended: 3.0 bar

INSPIRATION

.25 is the ultimate in utilitarian elegance: A simple and understated design that is equally functional and beautiful.

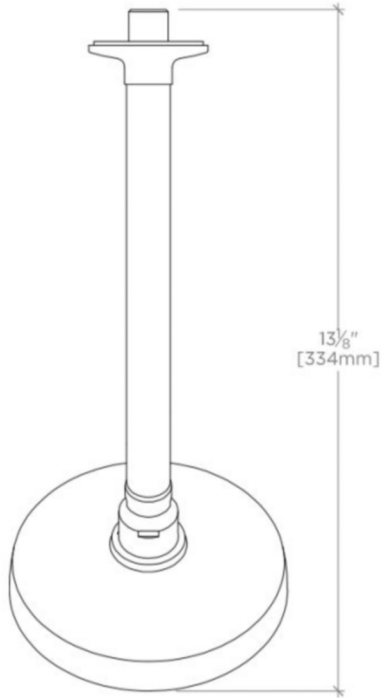
PRODUCT FEATURES

Clean lines and modern elegance define the .25 family
Customize your shower experience with a shower head, arm, and flange
Standard flow rate is 2.5gpm (9.5 L/min). Also available in high efficient flow options. Contact your sales associate or call 1 (800) 899-6757 for details.

.25

PT73SH

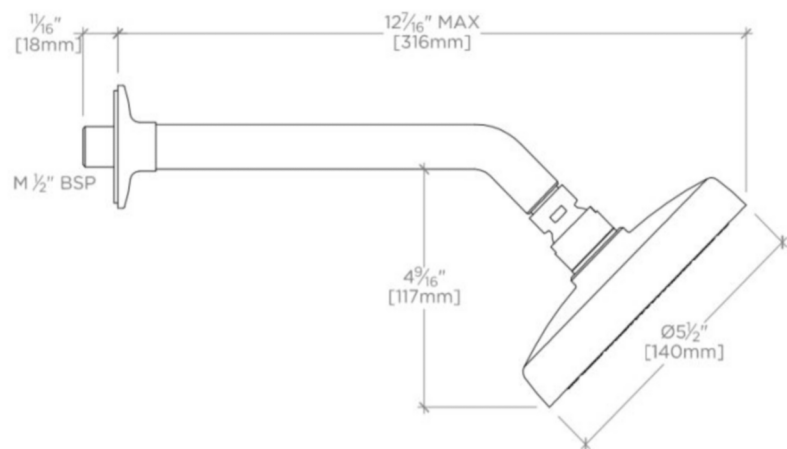
.25 Wall Mounted 5 1/2" Shower Head, Arm and Flange



TOP VIEW SCALE: 3"=1'-0"



FRONT VIEW SCALE: 3"=1'-0"



SIDE VIEW SCALE: 3"=1'-0"