

## UNIVERSAL

## GU16VC

Universal 3/4" Counter-Clockwise Open Volume Control Valve



SHOWN IN UNIVERSAL 3/4" COUNTER-CLOCKWISE OPEN VOLUME CONTROL VALVE| GUVC16

### TECHNICAL DETAILS

Fittings Hole Diameter: 35 mm  
Handle Turn Angle: Quarter Turn  
Depth / Width: 140 mm  
Height: 76 mm  
Inlet Connection Size: 3/4"  
Inlet Connection Type: Female G/BSPP  
Length: 32 mm  
Outlet Connection Size: 3/4"  
Outlet Connection Type: Female BSP  
Primary Material: Brass  
Suggested Application: Bath  
Valve Material: Ceramic  
Water Pressure Maximum: 5.5 bar  
Water Pressure Minimum: 1.5 bar  
Water Pressure Recommended: 3.0 bar

### INSPIRATION

Our Universal collection features timeless designs complementing any of our Waterworks. With a wide range of product, from fittings to accessories, Universal adds exquisite proportion and balance to any environment.

### CODES & STANDARDS

Code # : ASME A112.18.1, CSA B125, State of Ma, IAPMO

### PRODUCT FEATURES

Customize your bath experience with a hot cartridge rough, for use with Waterworks wall valve trims

3/4" NPT female inlet and outlet with quarter turn functionality

Made of brass materials

14 gpm unrestricted maximum flow at 45 psi

Made of brass materials

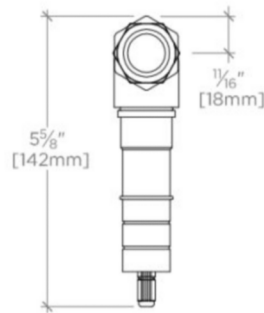
# WATERWORKS

## UNIVERSAL

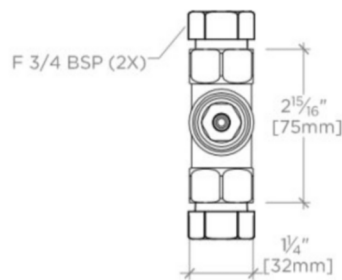
## GU16VC

Universal 3/4" Counter-Clockwise Open Volume Control Valve

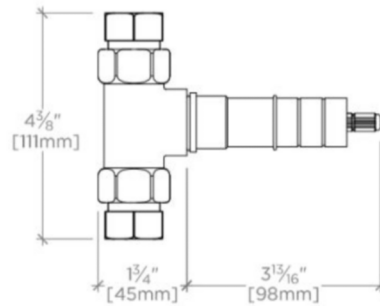
ADAPTER(S) PACKAGED SEPARATELY		
ADAPTER	DESCRIPTION	QTY
UNUK01	3/4" Male NPT x 3/4" Female BSP	2



TOP VIEW SCALE: 3"=1'-0"



FRONT VIEW SCALE: 3"=1'-0"



SIDE VIEW SCALE: 3"=1'-0"