

EASTON

EALS51

Easton Vintage Gooseneck Three Hole Deck Mounted Lavatory Faucet with Metal Cross Handles



SHOWN IN EASTON VINTAGE GOOSENECK THREE HOLE DECK MOUNTED LAVATORY FAUCET WITH METAL CROSS

TECHNICAL DETAILS

Adjustable versus Fixed Spray: Fixed Spray
 Deck Thickness Maximum: 1 1/4"
 Deck Thickness Minimum: 0"
 Drain Assembly Materials: Brass
 Drain Depth Maximum: 2 3/4"
 Drain Hole Diameter: 1 3/4"
 Drain Style: Lift and Turn
 Escutcheon Primary Material: Brass
 Fittings Hole Diameter: 1 3/8"
 Handle Spread Maximum: 12"
 Handle Spread Minimum: 8"
 Handle Turn Angle: Quarter Turn
 Index Color / Finish and Material: White Porcelain
 Depth / Width: 8 1/2"
 Drain Depth Minimum: 1"
 Height: 6 1/2"
 Index Marking: Hot/Cold
 Inlet Connection Size: 1/2"
 Inlet Connection Type: Male with supply nut
 Inlet Supply Spread Maximum: 12"
 Inlet Supply Spread Minimum: 8"
 Installation Type: Deck Mounted
 Length: 15"
 Number of Handles: Two
 Number of Holes: Three Hole
 Primary Material: Brass
 Restricted Maximum Flow Rate: 1.2 gpm
 Spout Swivel: N
 Suggested Application: Bath
 Valve Material: Ceramic
 Water Pressure Maximum: 85.0 psi
 Water Pressure Minimum: 20.0 psi
 Water Pressure Recommended: 45.0 psi

INSPIRATION

Drawing on Edwardian style, Easton is the most extensive Waterworks family; a range of moods and a selection of products from fittings to furniture.

CODES & STANDARDS

Code # EALS51: ASME A112.18.1 / CSA B125.1

PRODUCT FEATURES

Brass metal is used for all trim and valve components
 The manufacturing process encompasses casting, turning, forging, hand-fitting and hand polishing.
 Easton is our most comprehensive fittings family.
 Easton has a clean-lined utilitarian profile, with a slightly elongated spout.
 Available in 1.2gpm (4.5L/min) flow rate

CERTIFICATIONS



PRODUCT (NOTES)

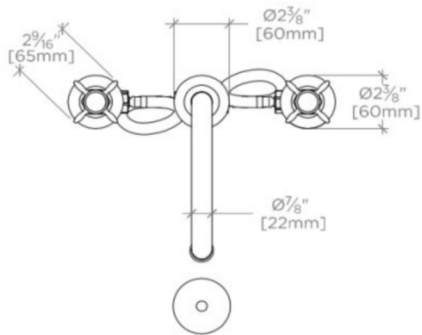
Sold with European style drain; USA style drain sold separately for use with non-Waterworks sinks.

WATERWORKS

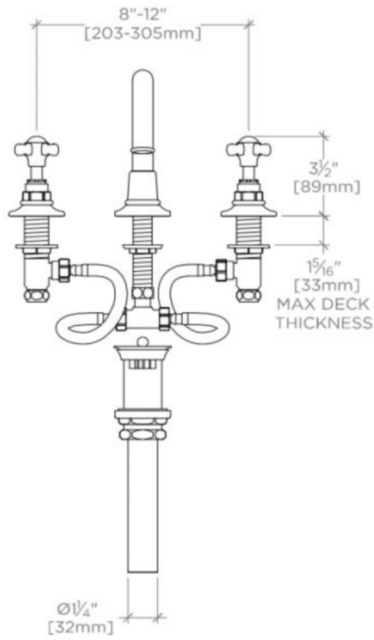
EASTON

EALS51

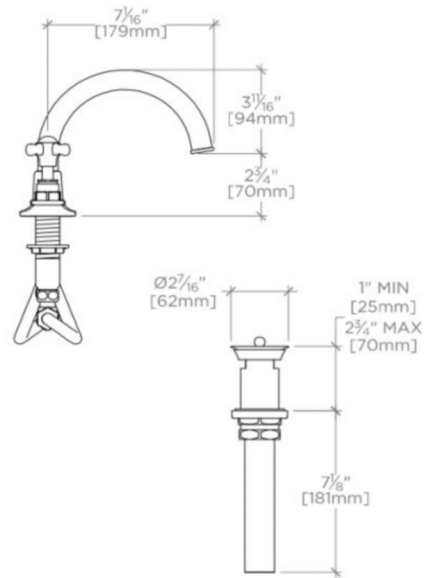
Easton Vintage Gooseneck Three Hole Deck Mounted Lavatory
Faucet with Metal Cross Handles



TOP VIEW SCALE: 1 1/2"=1'-0"



FRONT VIEW SCALE: 1 1/2"=1'-0"



SIDE VIEW SCALE: 1 1/2"=1'-0"