

## WATERWORKS

PRODUCT SUPPORT  
800.927.2120  
WATERWORKS.COM

# JULIA

Bridge Three Hole Kitchen Mixer with Metal  
Cross Handles in Chrome Complies with  
0.25% WALC

**STYLE No.** 310193

**REFERENCE No.** Reference-Number

**ITEM No.** 07-16385-04866

**SPECIFICATIONS**  
PAGE 1 OF 3

### DESIGN

Representative of 1920's French country, Julia speaks to decoration and intricate design displayed through beautifully composed turnings. These details embody the signature high profile spout enabling Julia to fit seamlessly in any bath setting.

### FEATURES

Brass material is used for all trim and valve component parts.

The manufacturing process encompasses casting, turning, hand-fitting and hand polishing.

A comprehensive product line of fittings options for the lavatory, shower, and bathtub.

Available option that complies with 0.25% Weighted Average Lead Content (WALC).



SHOWN IN Nickel

# WATERWORKS

PRODUCT SUPPORT  
800.927.2120  
WATERWORKS.COM

# JULIA

Bridge Three Hole Kitchen Mixer with Metal  
Cross Handles in Chrome Complies with  
0.25% WALC

**STYLE No.** 310193

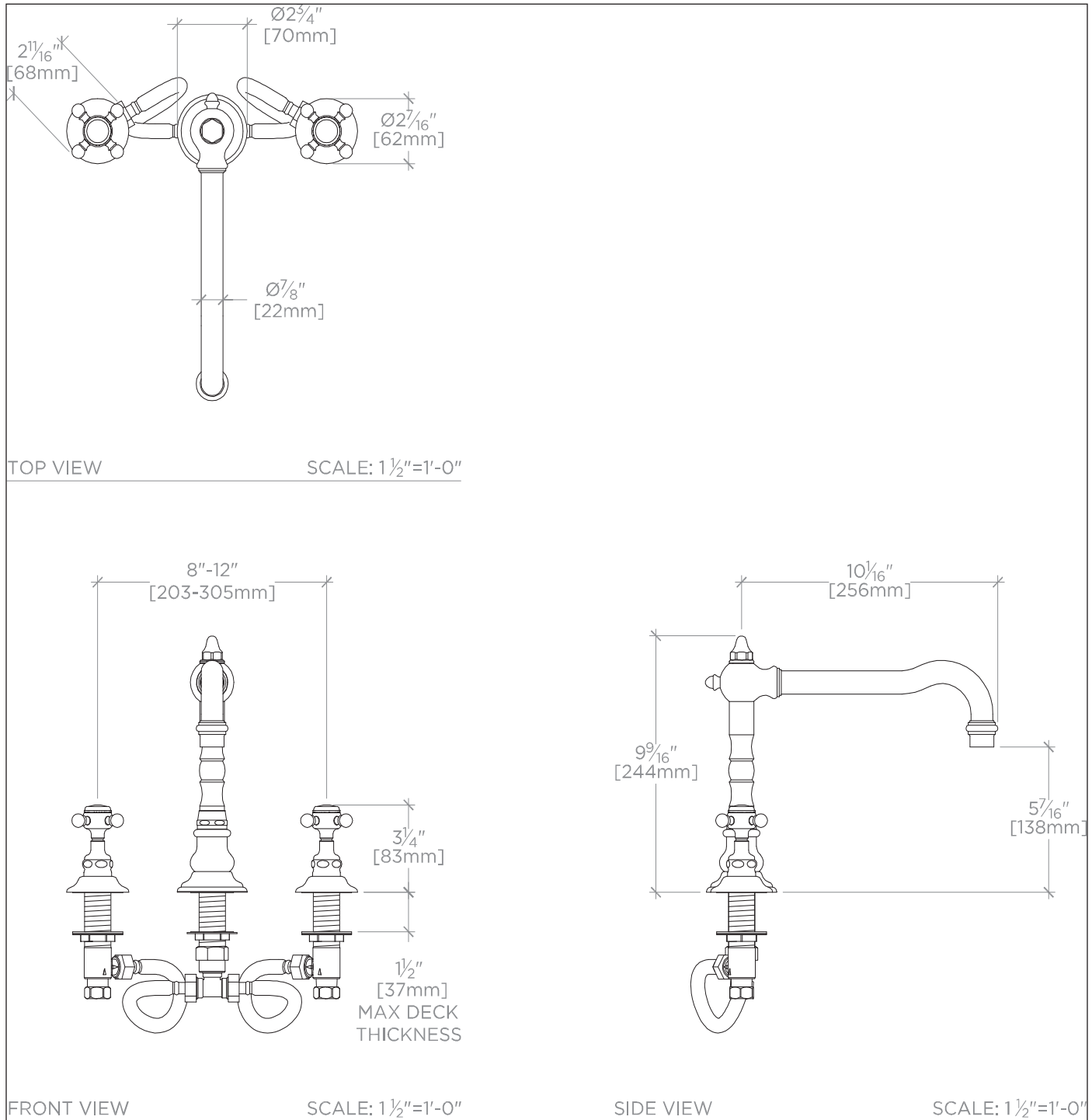
**REFERENCE No.** Reference-Number

**ITEM No.** 07-16385-04866

## SPECIFICATIONS

PAGE 2 OF 3

*All dimensions are based on original specifications and are subject to change and variation. Please consult your Design Associate for current specifications.*



## WATERWORKS

PRODUCT SUPPORT  
800.927.2120  
WATERWORKS.COM

# JULIA

Bridge Three Hole Kitchen Mixer with Metal  
Cross Handles in Chrome Complies with  
0.25% WALC

**STYLE No.** 310193

**REFERENCE No.** Reference-Number

**ITEM No.** 07-16385-04866

## SPECIFICATIONS

PAGE 3 OF 3

### SPECIFICATIONS

Primary Material: Brass  
Handle Spread Maximum: 12"  
Handle Spread Minimum: 8"  
Inlet Connection Size: ½"  
Inlet Connection Type: Male With Supply Nut  
Inlet Supply Spread Maximum: 12"  
Inlet Supply Spread Minimum: 8"  
Maximum Deck Thickness: 1 ½"  
Minimum Deck Thickness: 0"  
Maximum Water Pressure: 80 psi  
Minimum Water Pressure: 20 psi  
Fittings Hole Diameter: 1 ¼"  
Recommended Water Pressure: 45 psi  
Restricted Maximum Flow Rate: 2.2 gpm

### CARE INSTRUCTIONS

To clean the finish, wipe gently with a soft damp cloth and then with a soft dry towel. A mild soap solution can be used for daily cleaning.

### CODES AND STANDARDS

ASME A112.18.1 / CSA B125.1

### FLOW RATE CURVE

### REQUIRED PLUMBING DETAILS

Below is a list of choices that must be made to complete your lavatory faucet.