

MANCHESTER

MRLVCU

Manchester Undermount Oval Vitreous China Lavatory Sink 19
1/4" x 15 1/2" x 8"



SHOWN IN WHITE

TECHNICAL DETAILS

ADA Compliance: When installed per ADA guidelines
Bowl Shape: Oval
Depth to Overflow: 4 1/2"
Drain Hole Depth: 1 3/8"
Drain Hole Diameter: 1 3/4"
Depth / Width: 15 1/2"
Height: 8"
Installation Type: Undermount
Length: 19 1/4"
Number of Holes: Two Hole
Outer Rim Shape: Oval
Overflow Opening: Yes
Primary Material: Vitreous China
Suggested Application: Bath

INSPIRATION

Our handcrafted Manchester sinks have been made in US by the same family for more than fifty years. Each sink reflects decades of fine craftsmanship and attention to detail available only from a small studio. From warm white to cool and crisp, Manchester sinks are available in countless sizes and shapes.

CODES & STANDARDS

Code # MRCU14: ASME A112.19.9, CSA B45, State of MA

PRODUCT FEATURES

This lavatory is made of vitreous china, which produces a strong, non porous, high gloss product

Custom colors, design and sizes are available through our made-to-order program

Hand crafted in the United States

PRODUCT (NOTES)

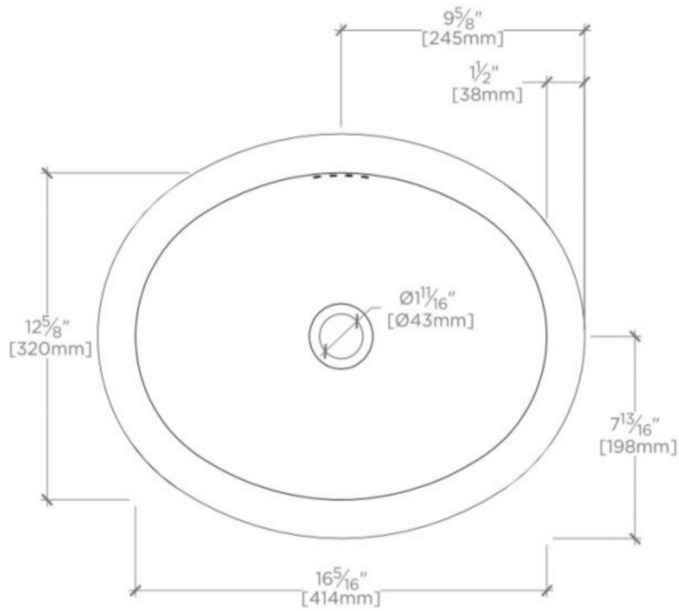
Dimensions of sinks are nominal and are subject to slight variations.

WATERWORKS

MANCHESTER

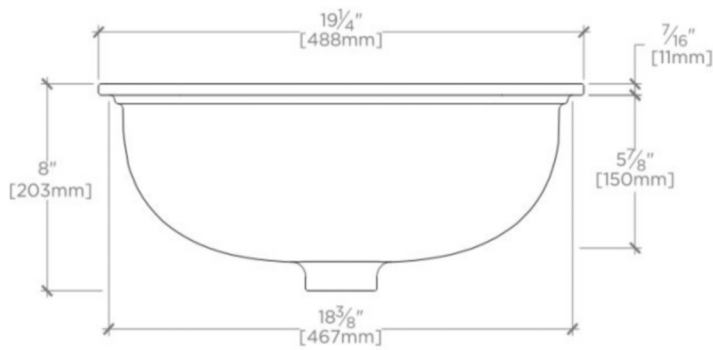
MRLVCU

Manchester Undermount Oval Vitreous China Lavatory Sink 19
1/4" x 15 1/2" x 8"



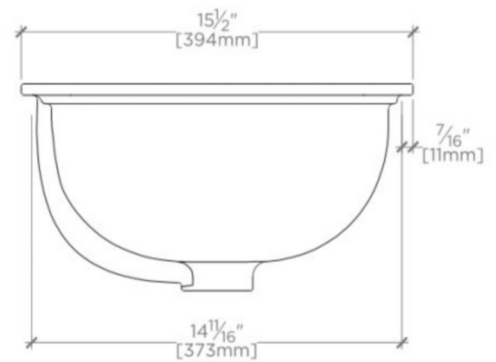
TOP VIEW

SCALE: 1/2"=1'-0"



FRONT VIEW

SCALE: 1/2"=1'-0"



SIDE VIEW

SCALE: 1/2"=1'-0"