

R.W. ATLAS

RWLS30

R.W. Atlas Low Profile Three Hole Deck Mounted Lavatory Faucet with Metal Lever Handles



SHOWN IN R.W. ATLAS LOW PROFILE THREE HOLE DECK MOUNTED LAVATORY FAUCET WITH METAL LEVER HANDLES

TECHNICAL DETAILS

ADA Compliance: Yes
 Adjustable versus Fixed Spray: Fixed Spray
 Deck Thickness Maximum: 40 mm
 Deck Thickness Minimum: 10 mm
 Drain Depth Maximum: 67 mm
 Drain Hole Diameter: 44 mm
 Escutcheon Primary Material: Brass
 Fittings Hole Diameter: 32 mm
 Handle Spread Maximum: 305 mm
 Handle Spread Minimum: 203 mm
 Handle Turn Angle: Quarter Turn
 Depth / Width: 197 mm
 Drain Depth Minimum: 10 mm
 Height: 111 mm
 Inlet Connection Size: 1/2"
 Inlet Connection Type: Male with Supply Nut
 Inlet Supply Spread Maximum: 305 mm
 Inlet Supply Spread Minimum: 203 mm
 Installation Type: Deck Mounted
 Integrated Diverter: N
 Integrated Spray: N
 Length: 362 mm
 Number of Handles: Two
 Number of Holes: Three Hole
 Primary Material: Brass
 Restricted Maximum Flow Rate: 4.5 liters/min
 Spout Swivel: N
 Spray Included in Unit: N
 Suggested Application: Bath
 Valve Material: Ceramic
 Water Pressure Maximum: 6.0 bar
 Water Pressure Minimum: 1.5 bar
 Water Pressure Recommended: 3.0 bar

INSPIRATION

Powerful shapes, genuine materials and unique aesthetic details. The original, impeccable vision of R.W. Atlas pairs American ingenuity with European craftsmanship.

CODES & STANDARDS

Code # RWLS30: Complies with ASME A112.18.1/CSA B125.1, ASME A112.18.2 / CSA B125.2, NSF 61, NSF 372, CEC, ADA and 0.25% Weighted Average Lead Content. Certified with IAPMO, cUPC, NSF, CEC, DOE, State of MA and WRAS.

PRODUCT FEATURES

Features tumbled barrels marked with an engraved H and C.
 Includes European push touch style drain.
 Meets or exceeds the Weighted Average Lead Requirements of 0.25%.
 Available in 1.2gpm (4.5L/min)

CERTIFICATIONS

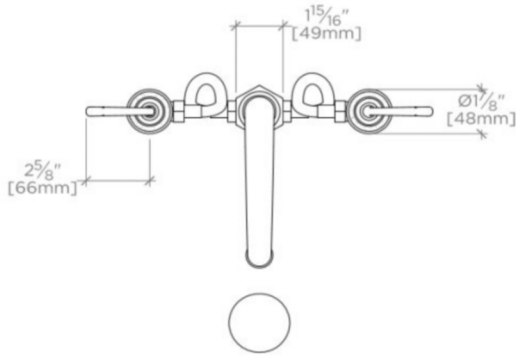


WATERWORKS

R.W. ATLAS

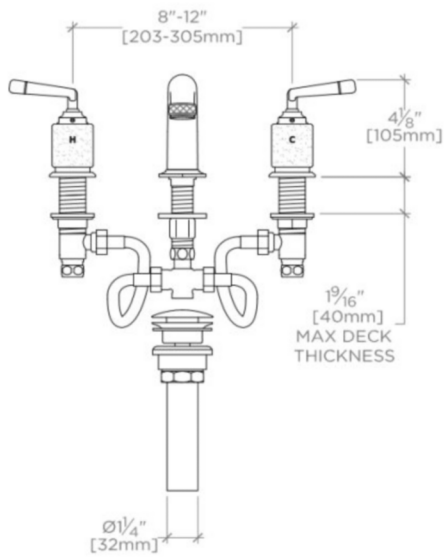
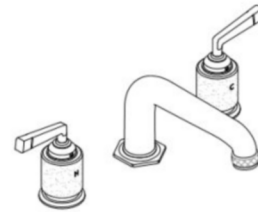
RWLS30

R.W. Atlas Low Profile Three Hole Deck Mounted Lavatory Faucet with Metal Lever Handles



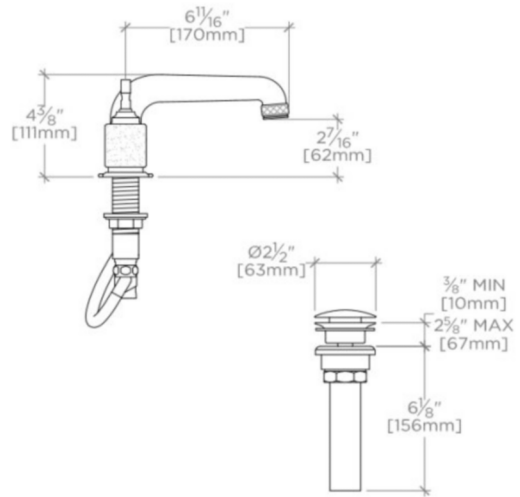
TOP VIEW

SCALE: $1\frac{1}{2}''=1'-0''$



FRONT VIEW

SCALE: $1\frac{1}{2}''=1'-0''$



SIDE VIEW

SCALE: $1\frac{1}{2}''=1'-0''$