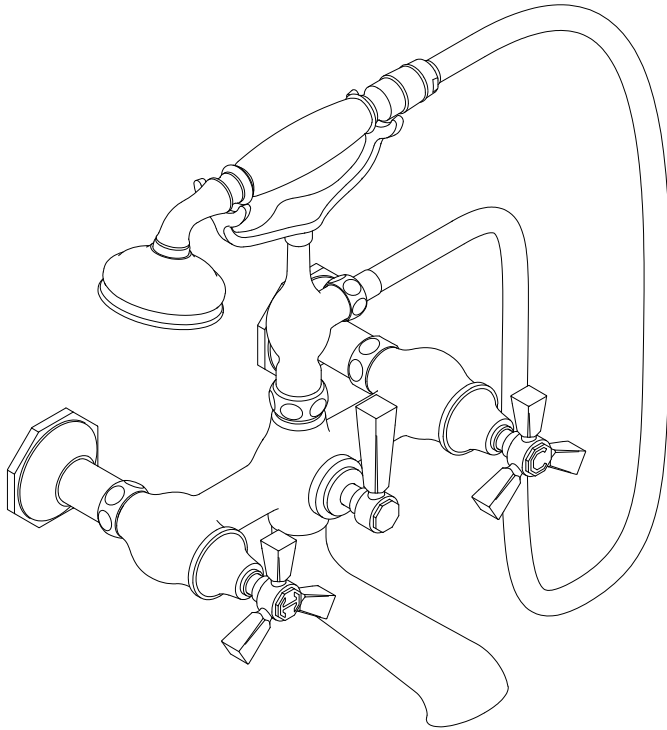


**STYLE No.** RDXT20  
**CODE No.** RDTU20



### **SPECIFICATIONS:**

Handle Spread:  $7\frac{5}{8}$ " (NOT ADJUSTABLE)  
Inlet Connection Size:  $\frac{3}{4}$ "  
Inlet Connection Type: Male NPT  
Inlet Connection Spread:  $7\frac{5}{8}$ " (NOT ADJUSTABLE)  
Maximum Water Pressure: 80psi  
Minimum Water Pressure: 20psi  
Fittings Hole Diameter:  $\frac{1}{4}$ "  
Recommended Water Pressure: 45psi  
Spout Reach:  $8\frac{7}{8}$ "

### **IMPORTANT:**

- To ensure this product is installed properly, you must read and follow these guidelines.
- The owner/user of this product must keep this information for future reference.
- Be sure your installation conforms to all federal, state, and local codes. Anti-scald protection is the responsibility of the installer and according to applicable codes.
- In the State of Massachusetts, all installations must comply with the rules and regulations set forth within 248 CMR.
- This product must be installed by a professional licensed contractor.

- Product should be on-site prior to rough-in. This allows the installer to visualize the installation and verify the inlet connection spread.
- Refer to the specification and assembly drawings attached. Product is sold partially assembled but shown fully disassembled for illustrative and service purposes only.
- Check tub measurements to assure the spout projects far enough into the tub.
- Inspect this product to ensure you have all parts required for proper installation.
- Use only a strap wrench or protected/smooth-jaw wrench on any finished surface.
- Run  $\frac{3}{4}$ " supply lines for maximum flow.
- Install accessible hot and cold service stop valves to facilitate servicing.

### **ROUGH-IN:**

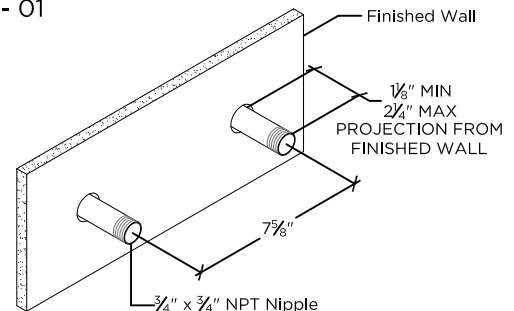
1. Run well supported  $\frac{3}{4}$ " hot and cold supply lines for maximum water flow.
2. Install  $\frac{3}{4}$ " Female NPT adapters (NOT SUPPLIED). Ensure that the adapters are secure, level, at the proper spread of  $7\frac{5}{8}$ " (NOT ADJUSTABLE) and at equal depths. The final distance the nipples (1) must project from the surface of the finished wall must be between  $\frac{1}{8}$ " and  $\frac{2}{4}$ ". See Figure - 01.

### **TUB FILLER INSTALLATION:**

#### **IMPORTANT:**

- Verify the  $7\frac{5}{8}$ " inlet supply spread prior to installation.
3. Thread the  $\frac{3}{4}$ " NPT end of the nipples (1) into the  $\frac{3}{4}$ " female NPT adapters (NOT SUPPLIED).
  4. Slide the escutcheons (3) over the nipples and up to the finished wall. Make sure a washer (2) is behind each escutcheon.

Figure - 01



These guidelines have been prepared for the professional contractor to aid in the installation of:  
**ROADSTER EXPOSED WALL MOUNTED TUB FILLER WITH LEVER HANDLES AND HANDSHOWER**  
(STYLE No. RDXT20).

All dimensions are based on origin specification and are subject to change and variation.  
Please consult your Design Associate for current specifications.

**WATERWORKS**  
**STUDIO**

5. Hold the valve body (6) up to the nipples and attach it by threading the union nuts onto the nipples. Ensure that a washer (5) is in each nut.

**HANDSHOWER INSTALLATION:**

6. Attached the handshower cradle (9) to the valve body (6) and ensure that the washer (5) is in the cradle inlet. NOTE: A check valve is located in the inlet of the cradle and a flow restricting check valve is located in the outlet of the cradle.
7. Connect the conical end of the handshower hose to the handshower.
8. Connect the hex end of the handshower hose to the handshower cradle outlet. Place the handshower on the cradle.

**INSPECT THE INSTALLATION:**

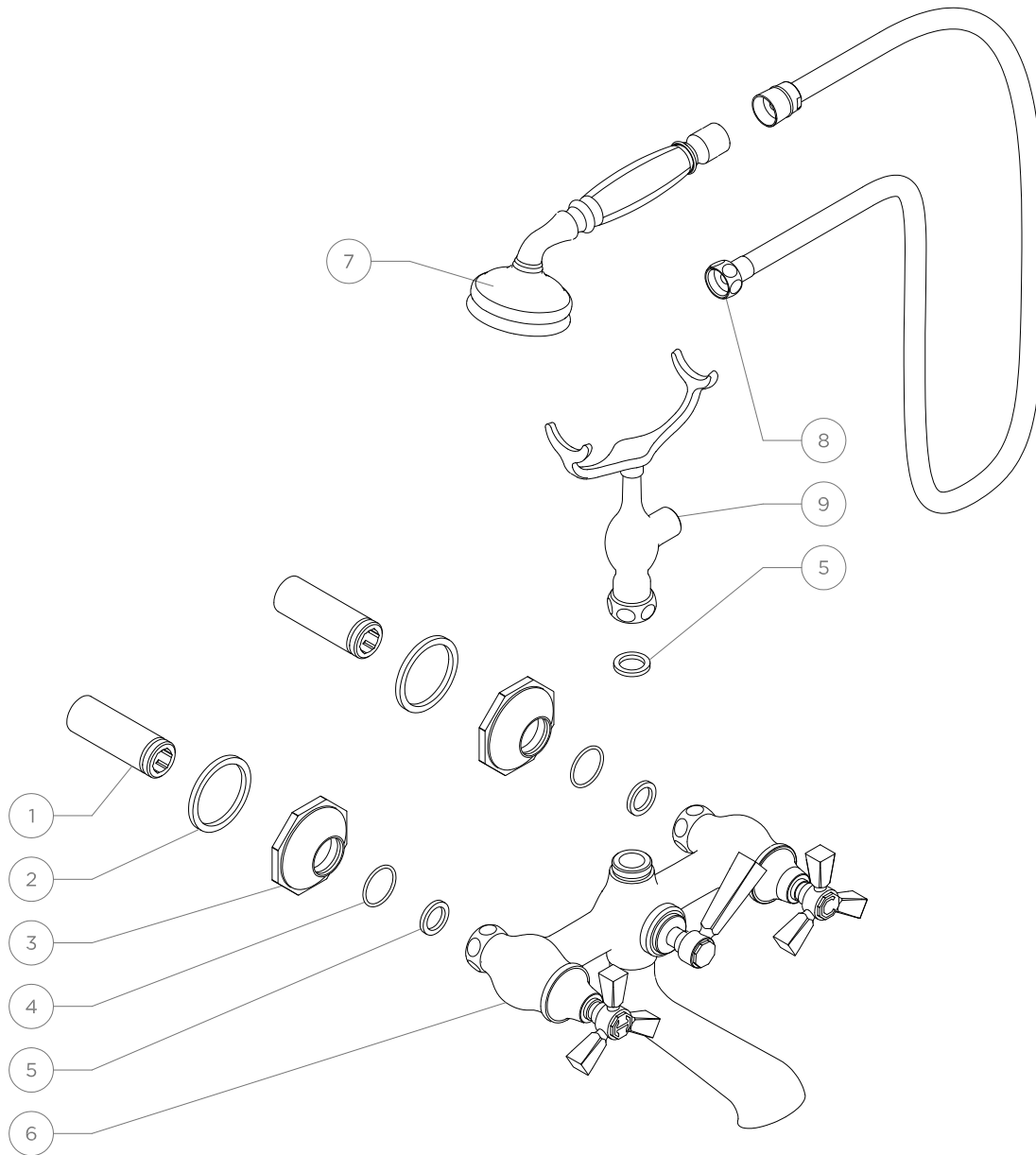
9. Turn on the supplies then open the hot and cold valves to flush out any debris in the supply lines before diverting to the handshower. To divert to the handshower turn the center lever handle.
10. Carefully inspect all connections for leaks and check for proper operation.

If further assistance is required, contact Product Support at 1-800-927-2120 (8am-6pm EST).

These guidelines have been prepared for the professional contractor to aid in the installation of:  
ROADSTER EXPOSED WALL MOUNTED TUB FILLER WITH LEVER HANDLES AND HANDSHOWER  
(STYLE No. RDXT20).

All dimensions are based on origin specification and are subject to change and variation.  
Please consult your Design Associate for current specifications.

**WATERWORKS**  
**STUDIO**



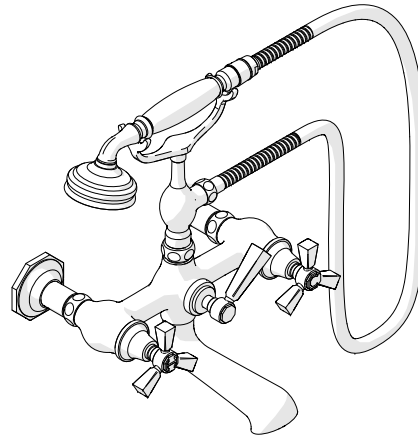
ITEM No.	DESCRIPTION	QTY.
1	Nipple	2
2	Washer	2
3	Escutcheon, Roadster	2
4	O-Ring	2
5	Rubber Washer	3
6	Valve Body	2
7	Handshower	2
8	Handshower Hose	2
9	Cradle	1

These guidelines have been prepared for the professional contractor to aid in the installation of:  
ROADSTER EXPOSED WALL MOUNTED TUB FILLER WITH LEVER HANDLES AND HANDSHOWER  
 (STYLE No. RDXT20).  
 All dimensions are based on origin specification and are subject to change and variation.  
 Please consult your Design Associate for current specifications.

**WATERWORKS**  
**STUDIO**

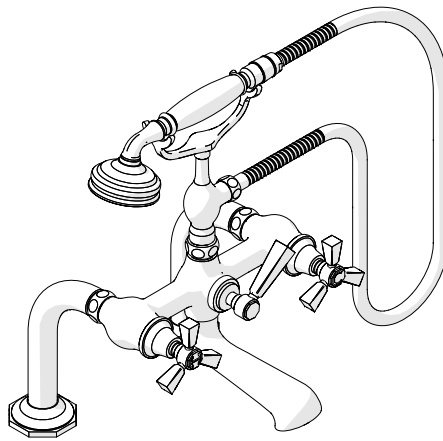
# WATERWORKS STUDIO

## SERVICE PARTS



### **STYLE RDXT20**

Roadster Exposed Wall Mounted Tub Filler With Handshower and Tri-spoke Handles



### **STYLE RDXT40**

Roadster Exposed Deck Mounted Tub Filler With Handshower and Tri-spoke Handles

---

WELCOME TO

# WATERWORKS STUDIO

Over thirty years of experience distilled into signature fittings, surfaces, textiles, and accessories. Waterworks Studio is an edited collection of design solutions curated to be concise, engineered to be complete, and crafted for quality.

*Everything you need, nothing more.*

---

**TO ORDER PARTS CALL  
1 (800) 927-2120 (EXT 2)**

Order by part number and specify color, finish, or other options if required.

**Product Support**

Our Product Support team provides troubleshooting and technical problem resolution, including replacement parts and installation recommendations throughout the life of your product.

Product Support is available Monday through Friday 8AM to 6PM EST.

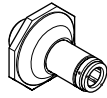
**LIMITED LIFETIME  
WARRANTY**

Our warranty covers repair and replacement of Waterworks products if within the applicable coverage period and deemed defective by Waterworks. Waterworks will, at its option, repair or replace such products; this does not include installation costs, labor charges, or other incidental or consequential costs.

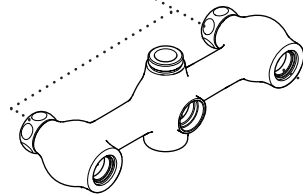
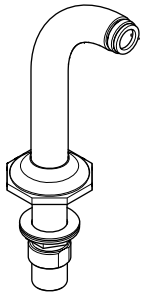
To obtain your complete warranty or inquire about warranty service, please visit us at [www.waterworks.com](http://www.waterworks.com) or contact our Product Support Team.

**MAIN KITS**

209940\*  
UNION KIT



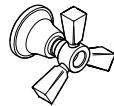
099303\*  
UNION KIT



337847  
COUNTERCLOCKWISE ON VALVE CARTRIDGE



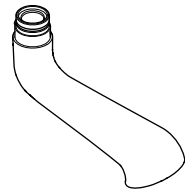
432450\*  
TRI-SPOKE HANDLE KIT



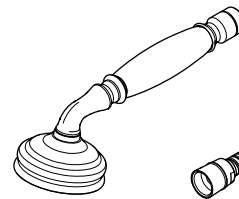
765789\*  
HOT INDICE KIT



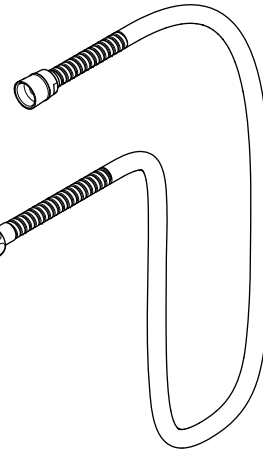
194193\*  
SPOUT KIT



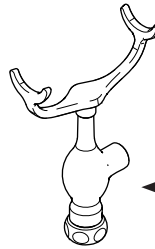
426262\*  
SPRAY KIT



435041\*  
HANDSHOWER HOSE KIT



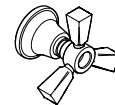
723681\*  
HANDSHOWER CRADLE KIT



337847  
COUNTERCLOCKWISE ON VALVE CARTRIDGE



432450\*  
TRI-SPOKE HANDLE KIT



807778\*  
COLD INDICE KIT



956299  
DIVERTER KIT



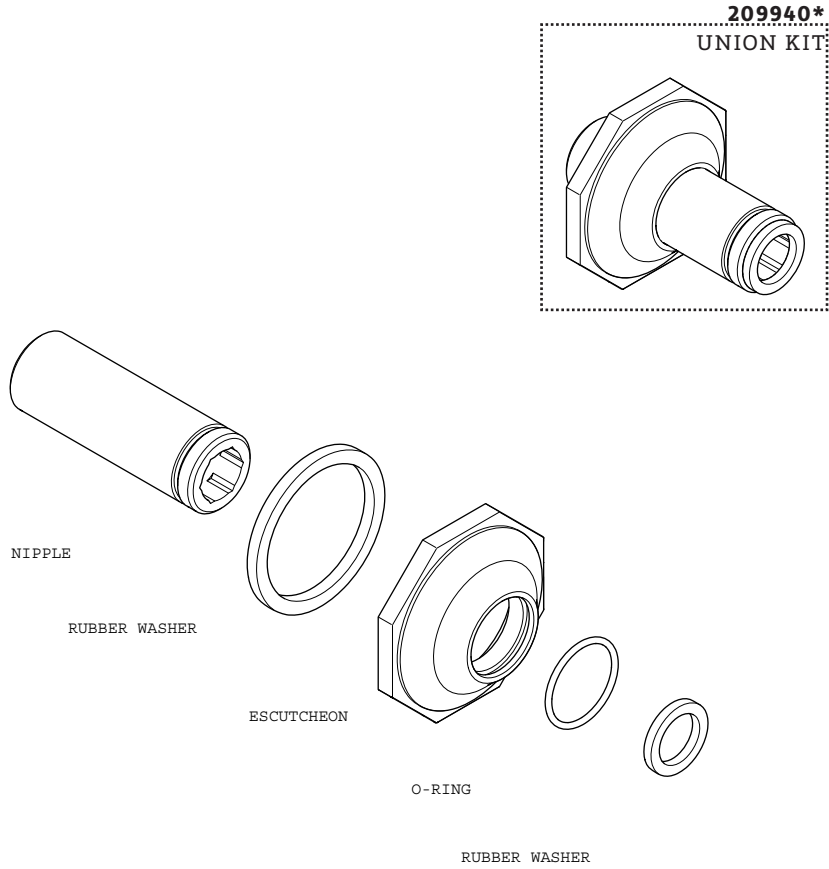
816511\*  
DIVERTER HANDLE KIT



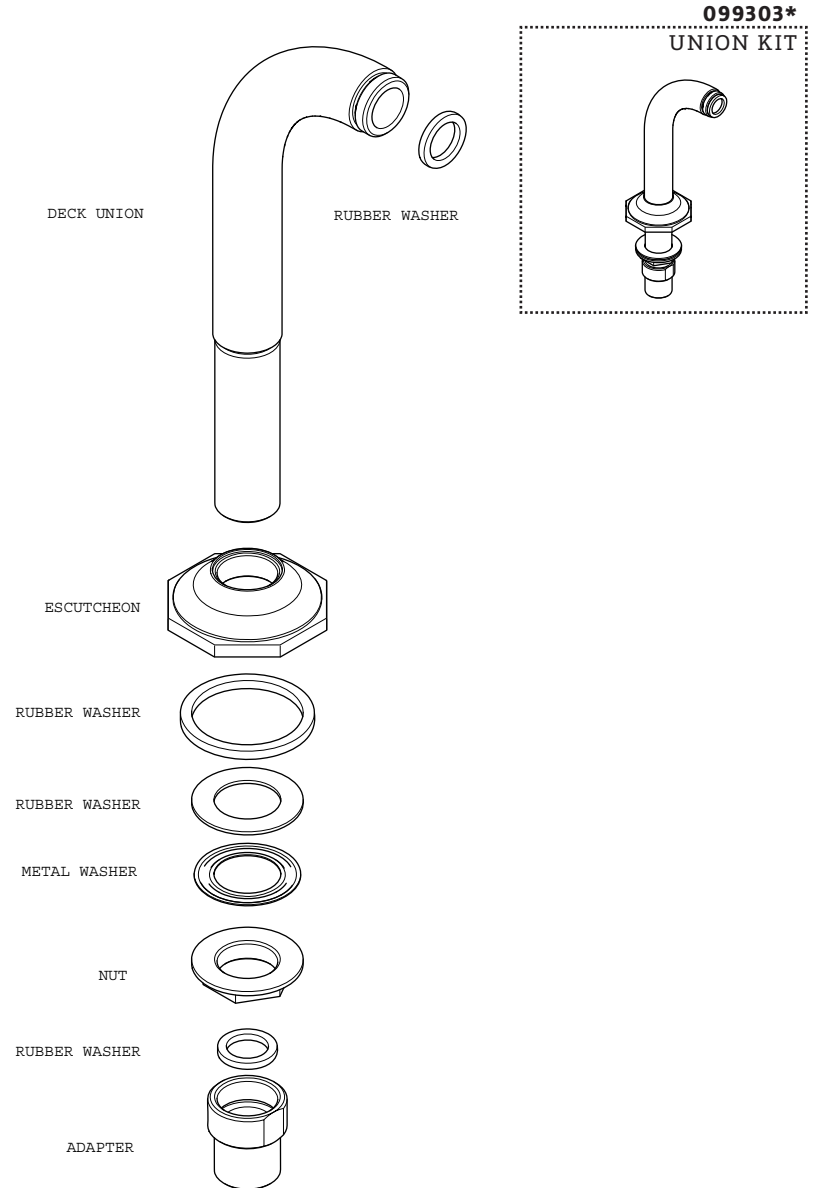
599239\*  
BLANK INDICE KIT



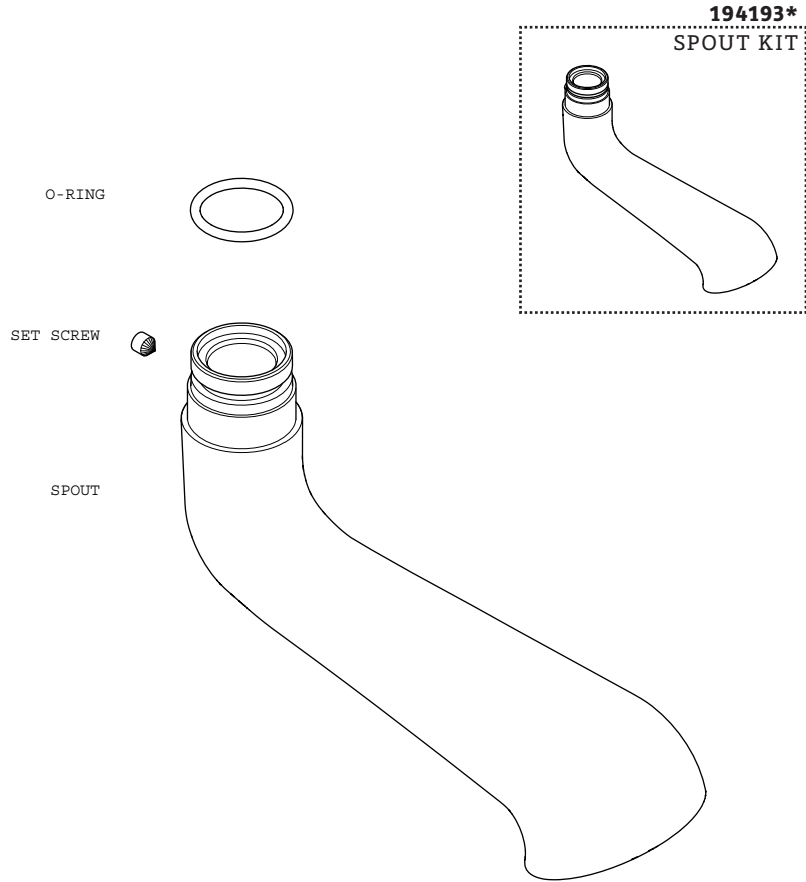
**KIT COMPONENTS**



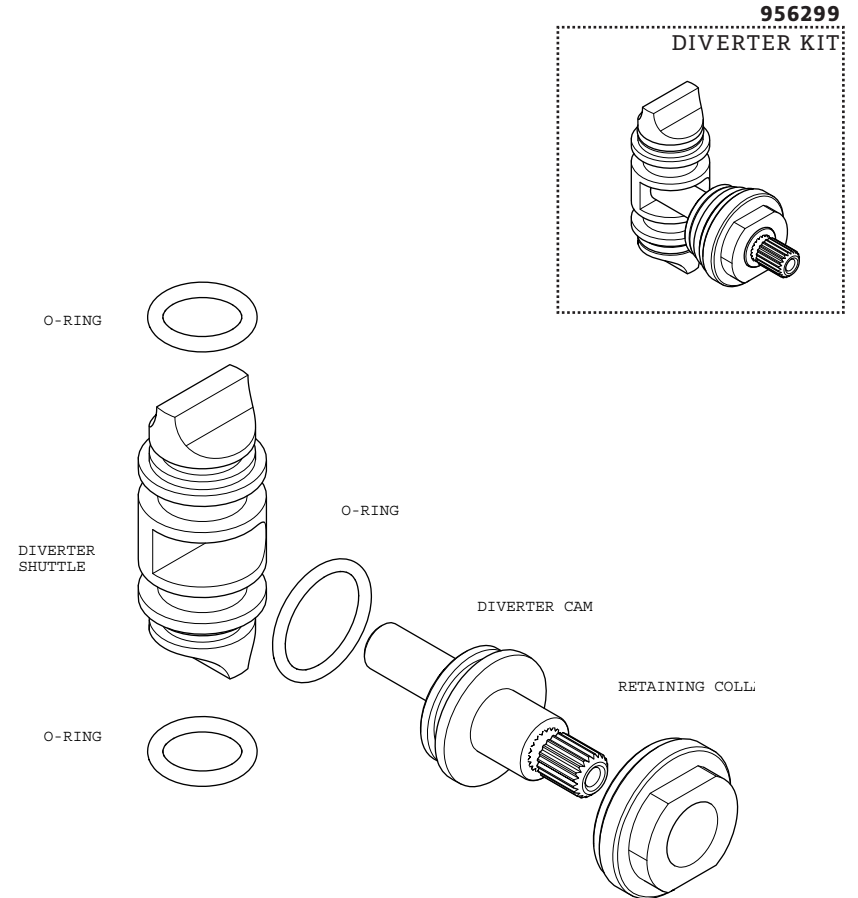
**KIT COMPONENTS**



**KIT COMPONENTS**

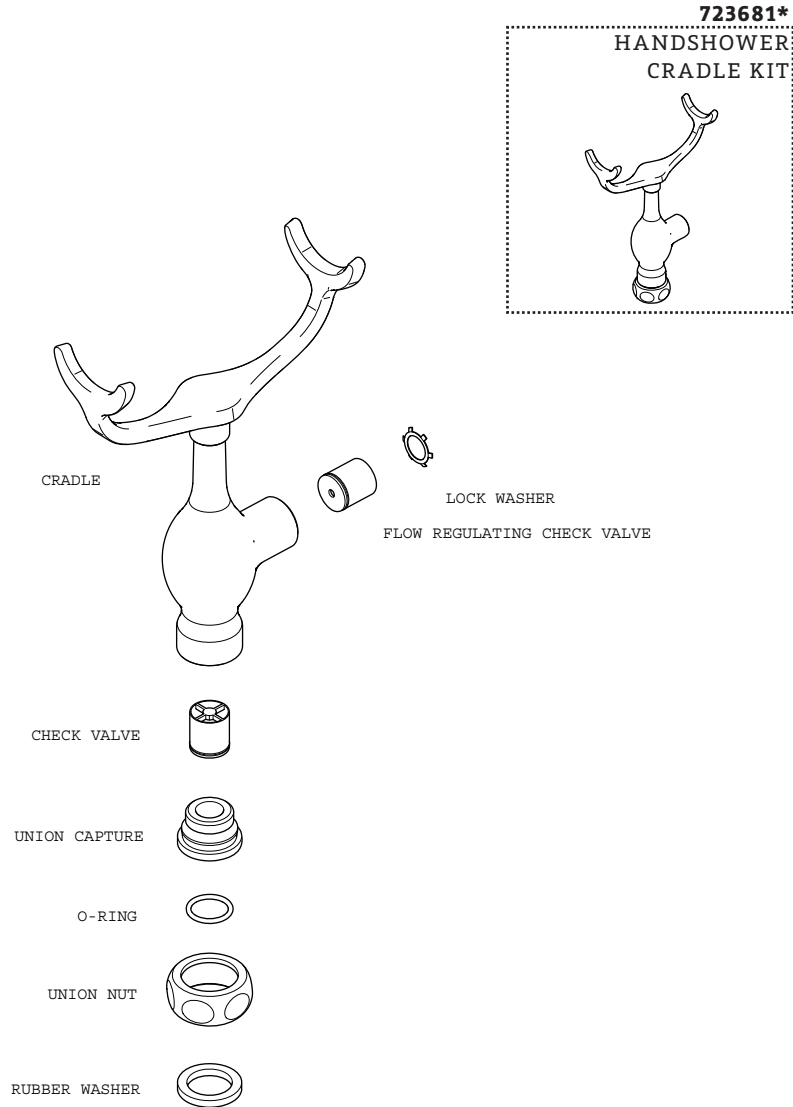


**KIT COMPONENTS**

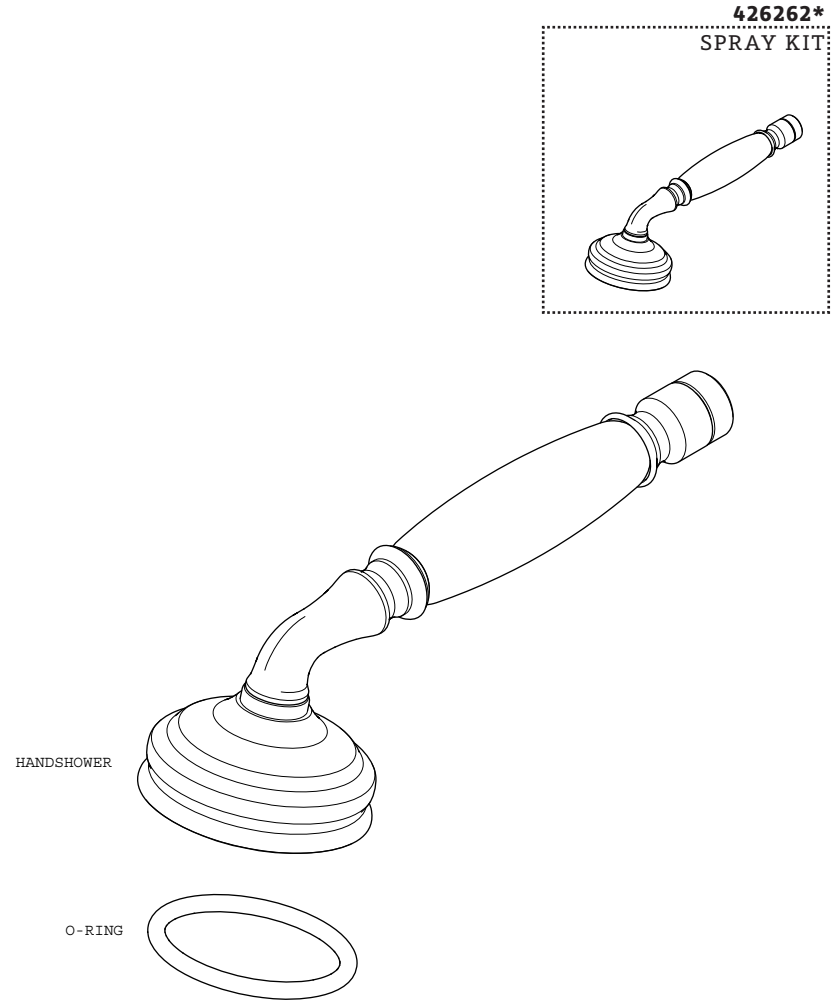




**KIT COMPONENTS**

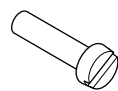
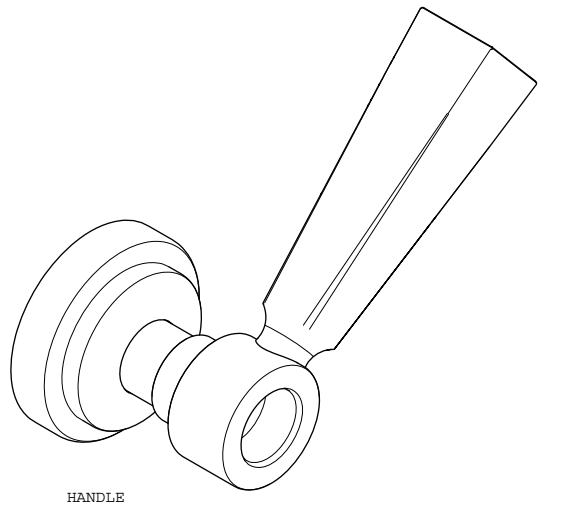
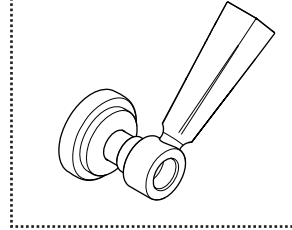


**KIT COMPONENTS**



**KIT COMPONENTS**

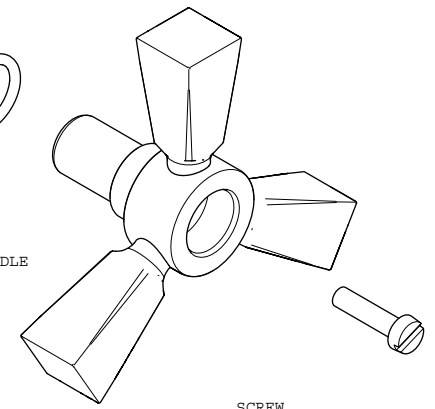
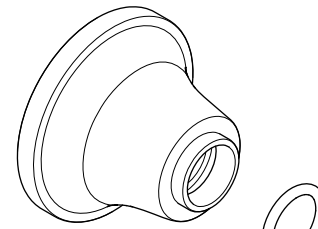
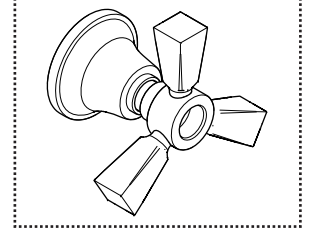
816511\*  
DIVERTER  
HANDLE KIT



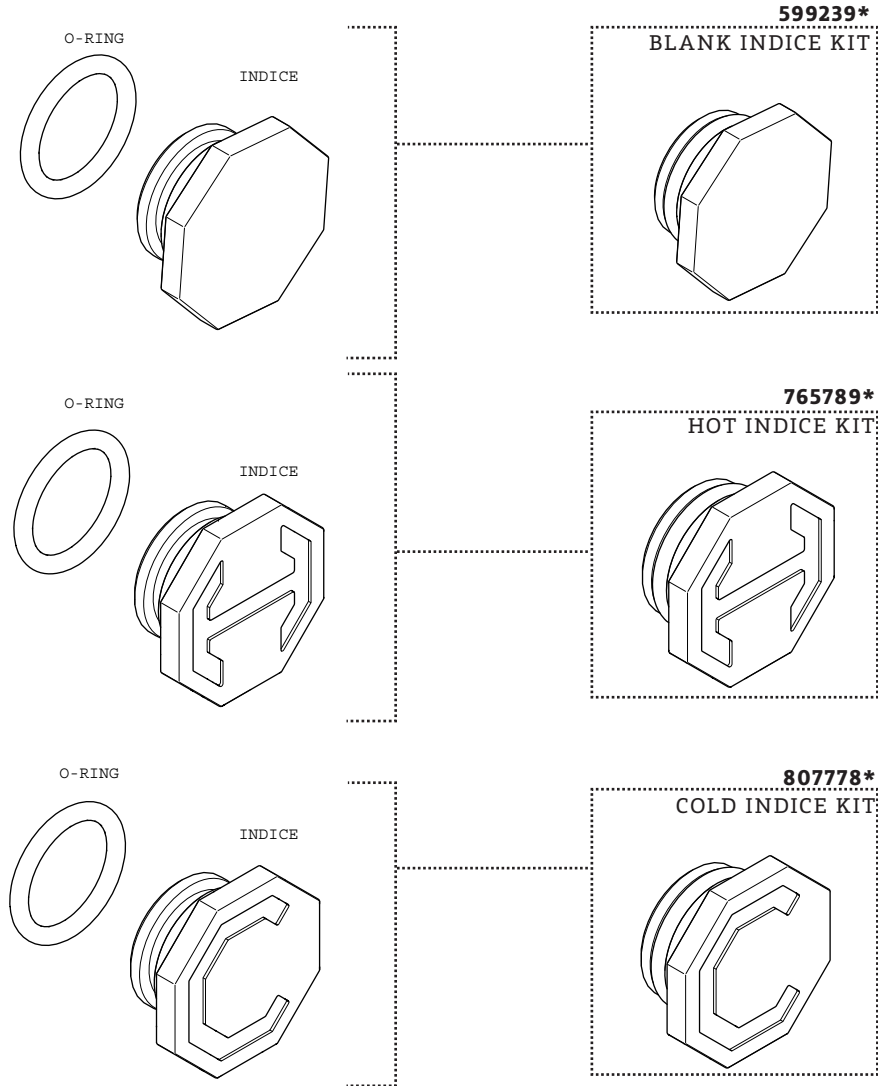
SCREW

**KIT COMPONENTS**

432450\*  
TRI-SPOKE  
HANDLE KIT



**KIT COMPONENTS**



\*FINISH/COLOR MUST BE SPECIFIED WHEN ORDERING  
++SUPPLIED AS A PAIR

**SERVICE PARTS INDEX**

<u>STYLE</u>	<u>DESCRIPTION</u>	<u>PG</u>
599239*	BLANK INDICE KIT	12
807778*	COLD INDICE KIT	12
337847	COUNTERCLOCKWISE ON VALVE CARTRIDGE	2
816511*	DIVERTER HANDLE KIT	10
956299	DIVERTER KIT	7
723681*	HANDSHOWER CRADLE KIT	8
435041*	HANDSHOWER HOSE KIT	3
765789*	HOT INDICE KIT	12
194193*	SPOUT KIT	6
426262*	SPRAY KIT	9
432450*	TRI-SPOKE HANDLE KIT	11
099303*	UNION KIT	5
209940*	UNION KIT	4



WATERWORKS  
STUDIO

**PRODUCT SUPPORT**

60 BACKUS AVENUE  
DANBURY, CT 06810

1 (800) 927-2120 (EXT 2)

[WWW.WATERWORKS.COM/STUDIO](http://WWW.WATERWORKS.COM/STUDIO)