

ALDEN

ALWC01

Alden One Piece High Efficiency Elongated Watercloset with Molded Wood Seat



SHOWN IN ALDEN ONE PIECE HIGH EFFICIENCY ELONGATED WATERCLOSET WITH MOLDED WOOD SEAT | ALWC01

TECHNICAL DETAILS

ADA Compliance: Yes
 Assembly / Configuration: One Piece Elongated Watercloset
 Bolt Cap Material: Vitreous China
 Bowl Shape: Elongated
 Diameter of Trapway: 2 1/8"
 Flush Motion: Pull
 Flush Position: Left
 Flush Primary Material: Brass
 Flushing Technology: Gravity Flush
 Depth / Width: 29 1/4"
 Height: 27 5/8"
 Inlet Connection Size: 1/2"
 Inlet Connection Type: Male Threading
 Installation Type: Freestanding
 Interior Finish of Trapway: N
 Length: 16 1/4"
 Outer Rim Shape: Elongated
 Seat Height: 18"
 Seat Hole Spread: 5 1/2"
 Suggested Application: Bath
 Tank Surface Shape: Rectangular
 Trapseal Depth: 2"
 Water Pressure Maximum: 85.0 psi
 Water Pressure Minimum: 20.0 psi
 Water Pressure Recommended: 45.0 psi

INSPIRATION

Pure, simple, refined and timeless. The pedestal sinks and watercloset of this collection offer clean lines, crisp white ceramic surfaces and streamlined silhouettes. Classic designs ideal for smaller and transitional interiors.

CODES & STANDARDS

Complies with ASME 112.19.2-2008/CSA B45.1-08, WaterSense. Certified with IAPMO & cUPC

PRODUCT FEATURES

Designed exclusively for the Waterworks Studio.
 High performance/efficiency, 1.28 gpf results in a significant water savings of up to 16,500 gallons per year.
 Elongated bowl with universal height seat on a low profile tank.
 Hinges for the seat are only available in Chrome. Finish options are for the flush lever only.

CERTIFICATIONS



PRODUCT (NOTES)

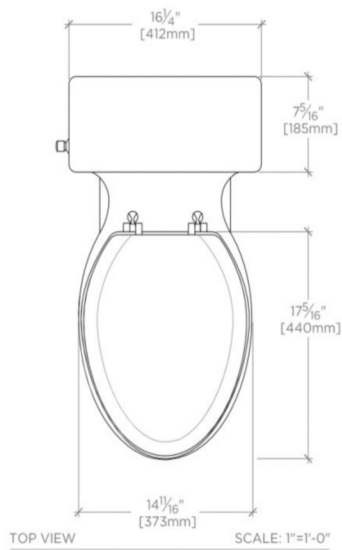
Dimensions of fixtures are nominal. Measure your actual product for rough-in details.

WATERWORKS

ALDEN

ALWC01

Alden One Piece High Efficiency Elongated Watercloset with Molded Wood Seat



WASTE ROUGH IN: 12" FROM FINISHED WALL

