

.25

.25 Thermostatic Valve

GU78TH



SHOWN IN .25 THERMOSTATIC VALVE | GUTH78

TECHNICAL DETAILS

Fittings Hole Diameter: 178 mm
Depth / Width: 89 mm
Height: 133 mm
Inlet Connection Size: 3/4"
Inlet Connection Type: Female G/BSPP
Length: 165 mm
Outlet Connection Size: 3/4"
Outlet Connection Type: Female NPT
Primary Material: Brass
Suggested Application: Bath
Valve Material: Bi-metal strip
Water Pressure Maximum: 5.5 bar
Water Pressure Minimum: 1.5 bar
Water Pressure Recommended: 3.0 bar

INSPIRATION

.25 is the ultimate in utilitarian elegance: A simple and understated design that is equally functional and beautiful.

CODES & STANDARDS

Code # GUSV78: ASME A112.18.1 / CSA B125.1, State of Ma

PRODUCT FEATURES

Built in Anti-scald protection.

Unrestricted maximum flow of 15.7 gallons per minute (GPM) at 45 psi

3/4" inlet and outlet connections

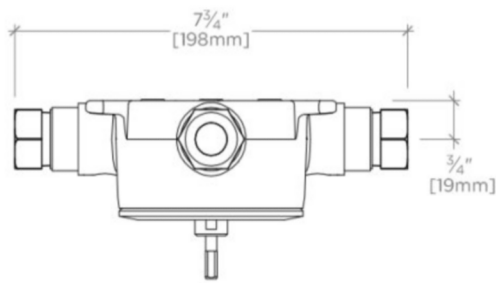
Integrated check valves guarantee there is no crossover of hot or cold water.

.25

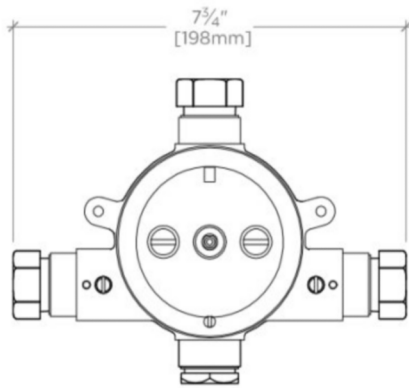
GU78TH

.25 Thermostatic Valve

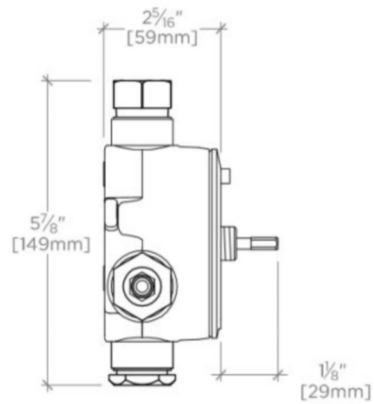
ADAPTER(S) PACKAGED SEPARATELY		
ADAPTER	DESCRIPTION	QTY
UNUK01	3/4" Male NPT x 3/4" Female BSP	4



TOP VIEW SCALE: 3"=1'-0"



FRONT VIEW SCALE: 3"=1'-0"



SIDE VIEW SCALE: 3"=1'-0"

