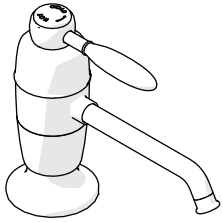
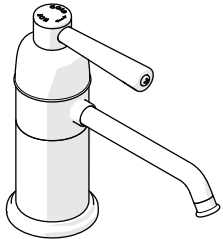


INSTALLATION GUIDELINES



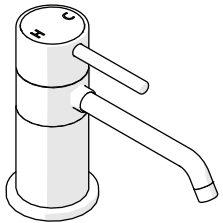
STYLE No. UNWD10

Universal Traditional One Hole Instant Hot and Filtered Cold Water Dispenser with Metal Lever Handle



STYLE No. UNWD30

Universal Industrial One Hole Instant Hot and Filtered cold Water Dispenser with Metal Lever Handle



STYLE No. UNWD50

Universal Modern One Hole Instant Hot and Filtered Cold Water Dispenser with Metal Lever Handle

IMPORTANT:

- To ensure this product is installed properly, you must read and follow these guidelines.
- The owner/user of this product must keep this information for future reference.
- This product must be installed by a professional licensed contractor.
- Be sure your installation conforms to federal, state, and local codes. In the State of Massachusetts, all installations must comply with the rules and regulations set forth within 248 CMR.
- Inspect this product to ensure you have all the parts required for proper installation. Product is sold partially assembled but shown fully disassembled for illustrative and service purposes only.
- Water may drip from the SPOUT for a few minutes after shut off due to the Hot Water Tank (not supplied) bringing the water back to the set temperature.
- Use only a strap wrench or protected/smooth-jaw wrench on any finished surface.
- The use of certain plumber's putty may stain stone or tile surfaces.
- If further assistance is required, please contact Product Support at 1-800-927-2120 Monday through Friday, 8am - 6pm EST.
- Refer to the separate Service Parts Documents for available replacement parts.

INSTALLATION GUIDELINES

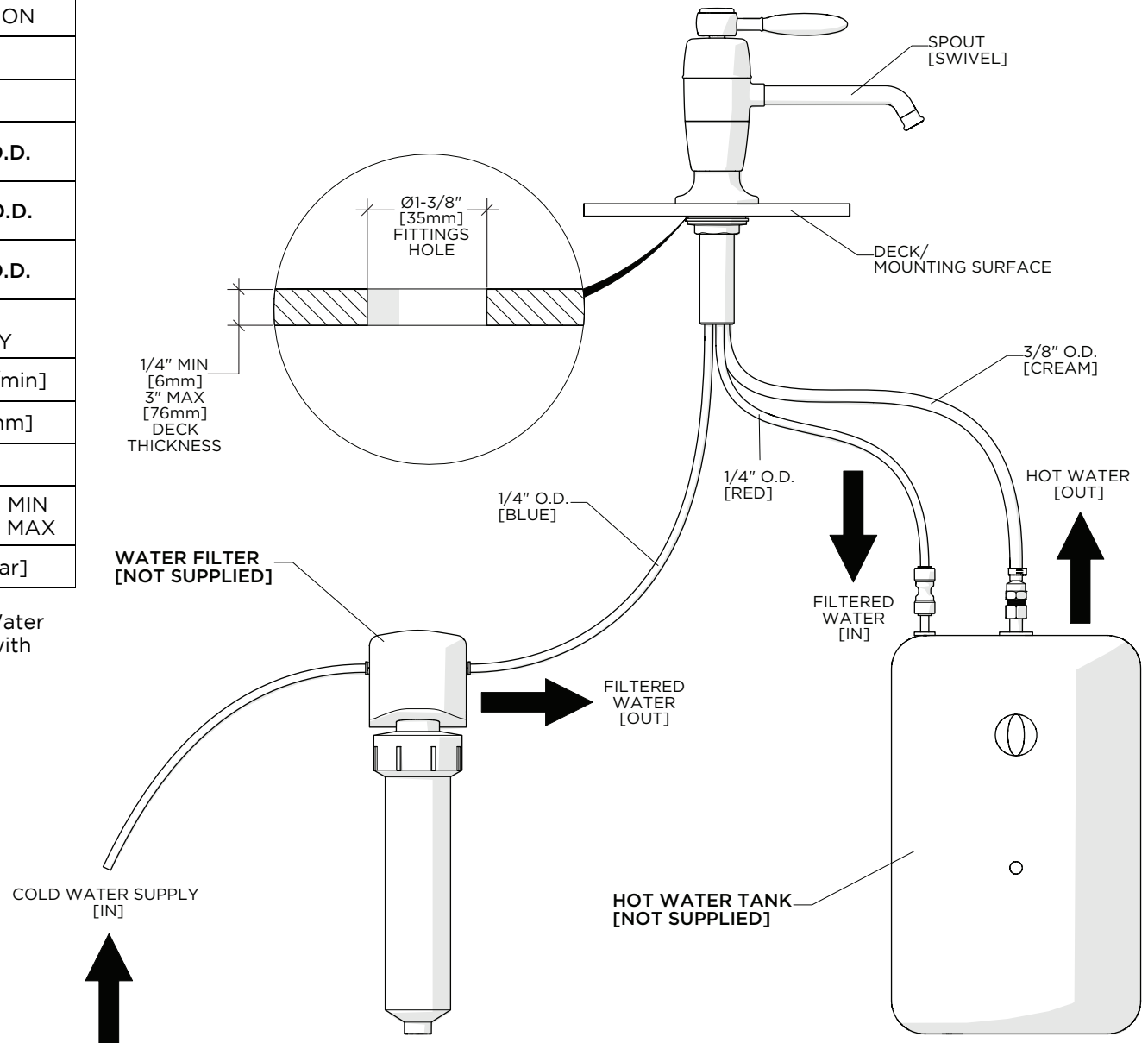
STYLE No. UNWD10, UNWD30, UNWD50

Universal One Hole Instant Hot and Filtered Cold Water Dispenser

TECHNICAL DETAILS:

DETAIL	SPECIFICATION
HOT WATER TANK INCLUDED ‡	NO
WATER FILTER INCLUDED	NO
OUTLET CONNECTION (TO HOT WATER TANK)	1/4" TUBE O.D.
INLET CONNECTION (FROM HOT WATER TANK)	3/8" TUBE O.D.
INLET CONNECTION (FROM WATER FILTER)	1/4" TUBE O.D.
HANDLE TURN ANGLE (NOT SPRING LOADED)	1/8 TURN EACH WAY
FLOW RATE	0.5gpm [1.9L/min]
SPOUT REACH	5-5/8" [143mm]
SPOUT SWIVEL	YES
WATER PRESSURE RANGE	20psi [1.5 bar] MIN 85psi [6.0 bar] MAX
WATER PRESSURE RECOMMENDED	45psi [3.0 bar]

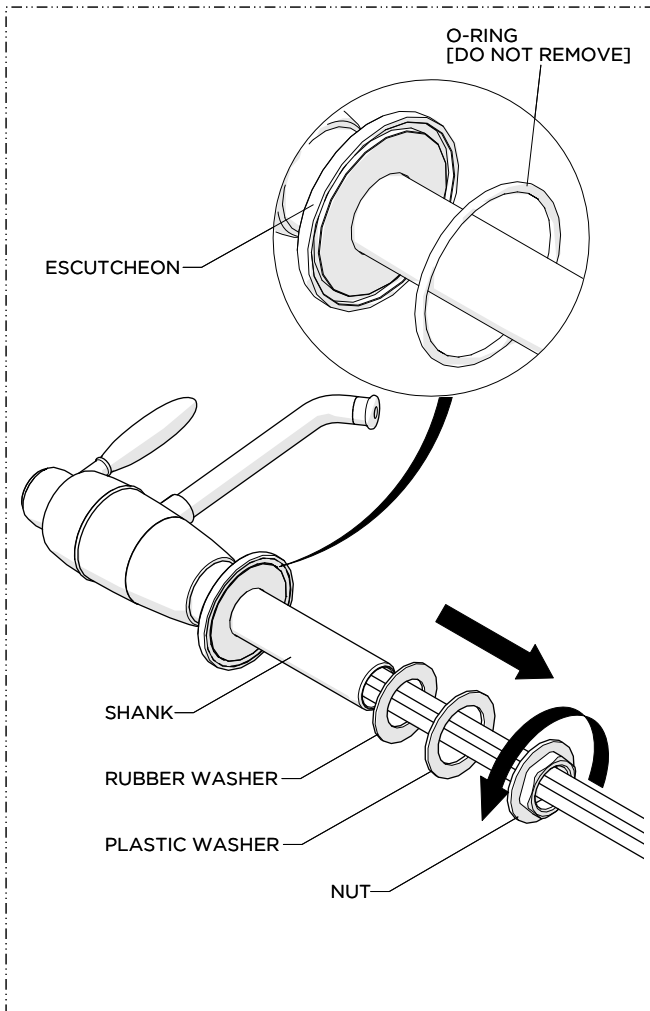
‡ **WARNING:** This product cannot be used with a Hot Water Tank that requires a dedicated vent tube. Use Tanks with only 1 INLET and 1 OUTLET.



INSTALLATION GUIDELINES

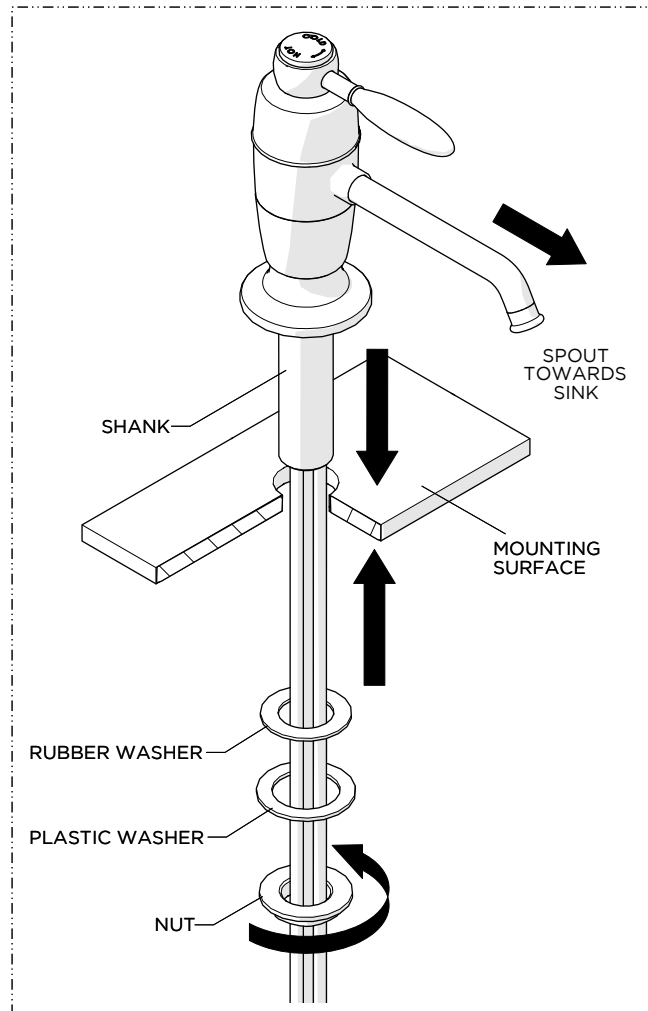
STYLE No. UNWD10, UNWD30, UNWD50

Universal One Hole Instant Hot and Filtered Cold Water Dispenser

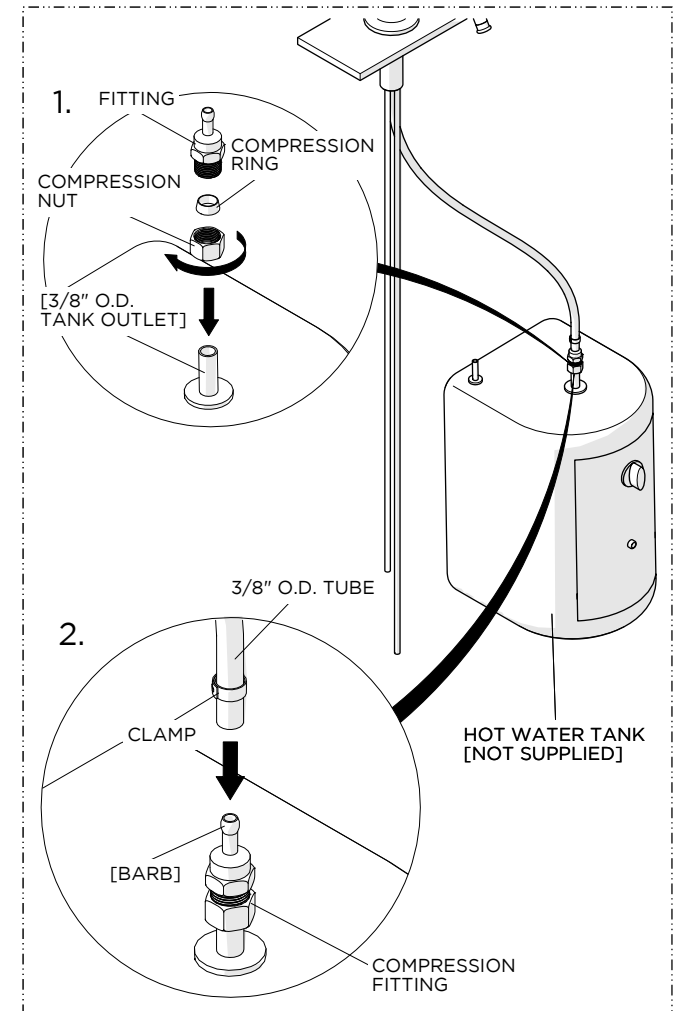


1. Unthread and remove the NUT, PLASTIC WASHER and RUBBER WASHER from the SHANK.

NOTE: Do **NOT** remove the O-RING beneath the ESCUTCHEON.

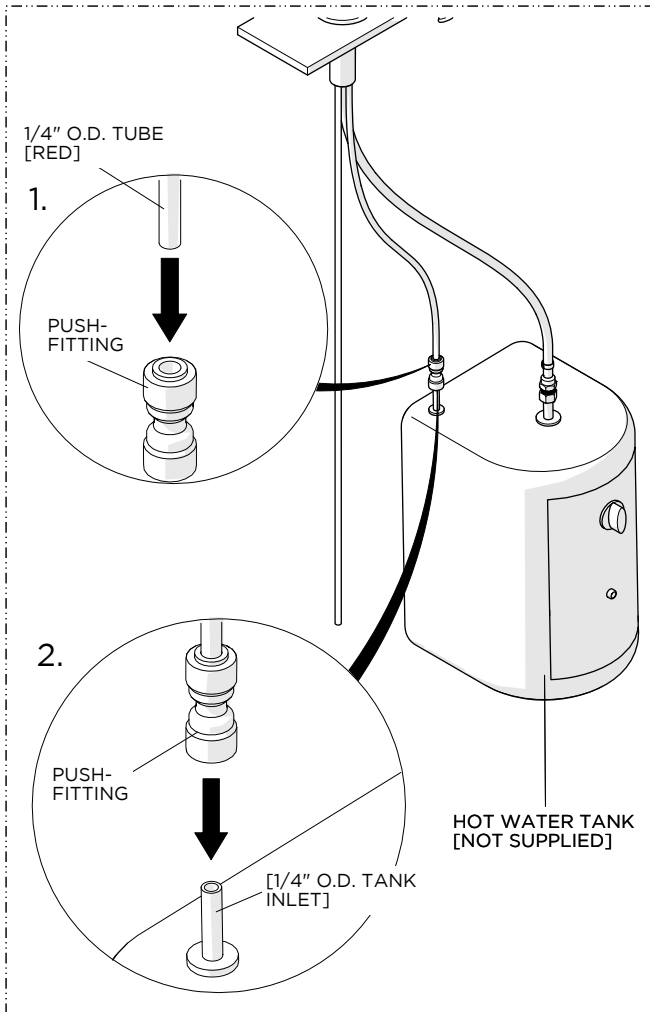


2. Insert the INLET/OUTLET TUBES and SHANK through the hole on the mounting surface, then re-attach the WASHERS and securely tighten the NUT.

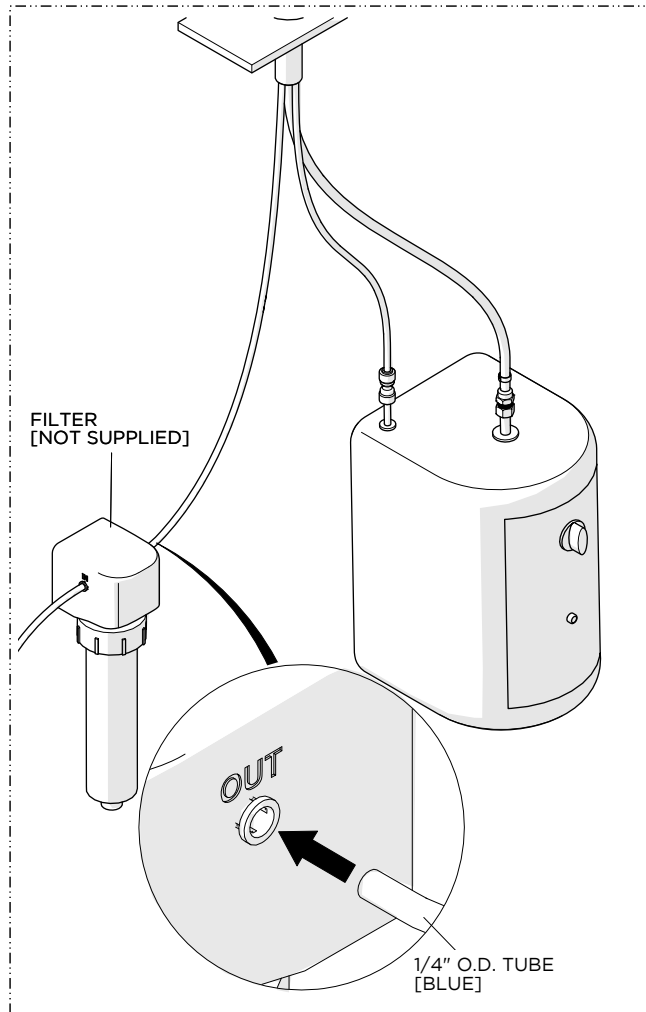


3. Install the COMPRESSION FITTING onto the 3/8" O.D. OUTLET on the HOT WATER TANK (not provided) then slide the CLAMP over the 3/8" O.D. INLET TUBE from the SPOUT, push the TUBE onto the barb end of the FITTING, and securely crimp the CLAMP.

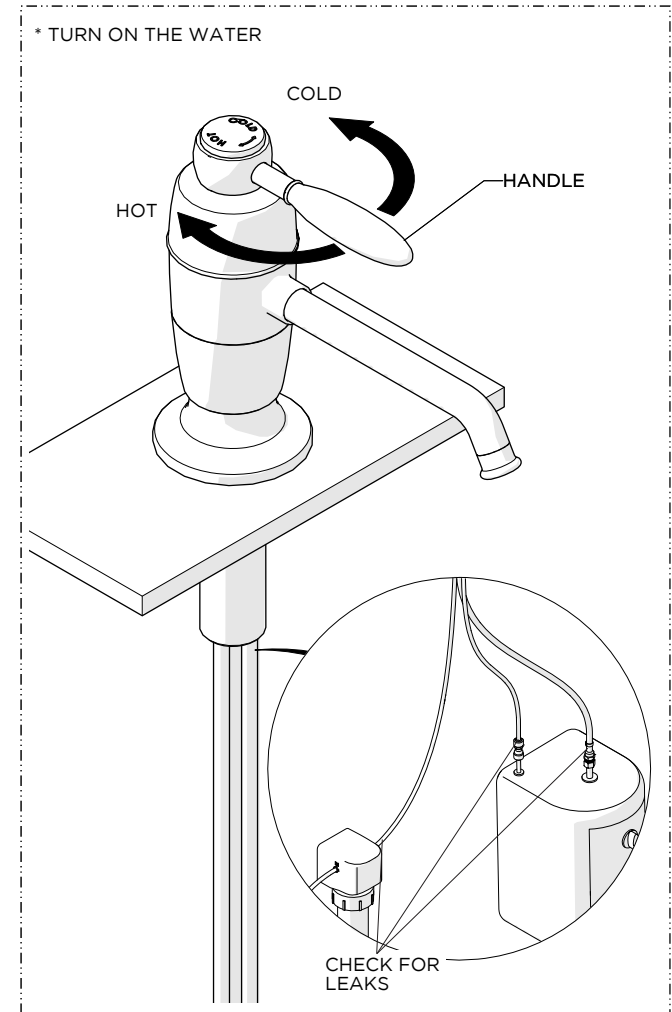
INSTALLATION GUIDELINES



4. Insert the RED 1/4" O.D. OUTLET TUBE from the SPOUT into the PUSH-FITTING then connect the FITTING to the 1/4" O.D. TANK INLET.



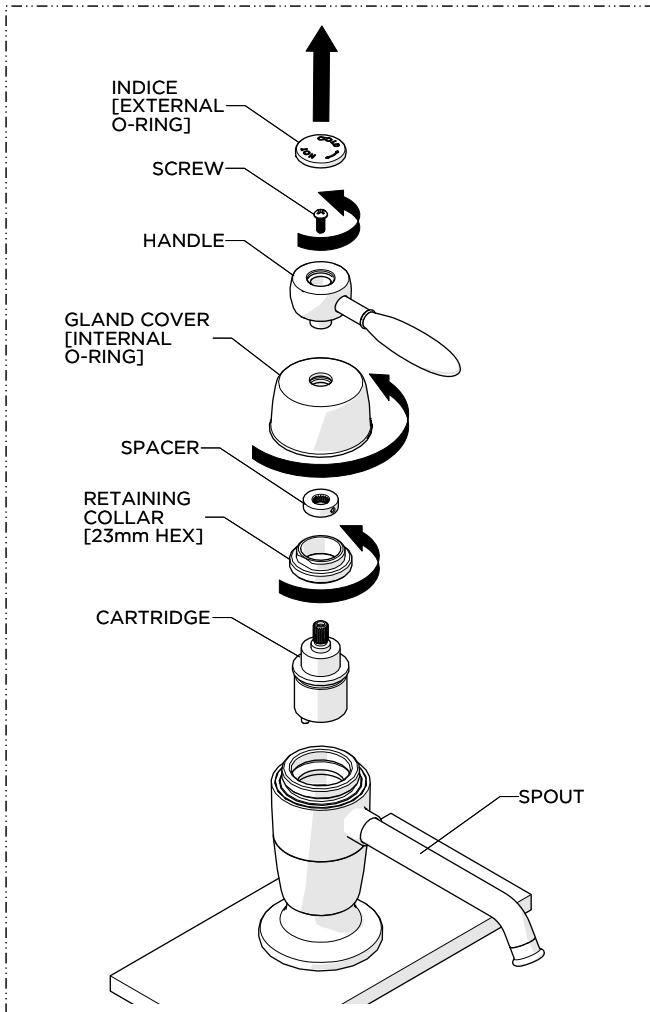
5. Insert the BLUE 1/4" O.D. INLET TUBE from the SPOUT into the WATER FILTER OUTLET (not supplied).



6. Turn on the water to flush out any debris in the supply lines, operate the HANDLE and SPOUT to ensure they function properly and inspect all connection for leaks.

NOTE: Water may drip from the SPOUT for a few minutes after shut off due to the Hot Water Tank (not supplied) bringing the water back to the set temperature.

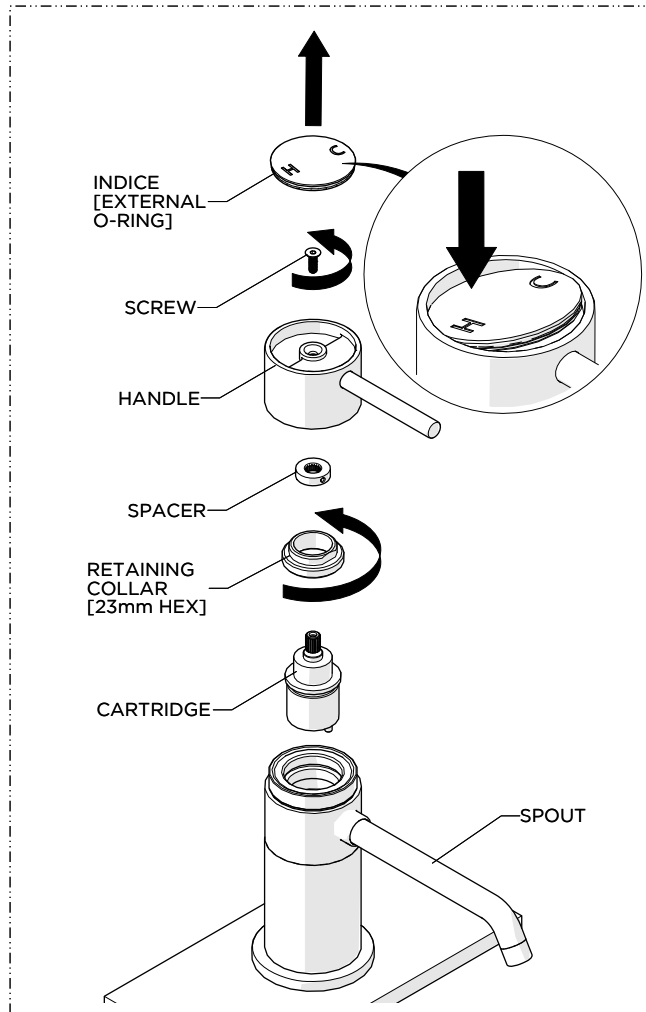
INSTALLATION GUIDELINES



SERVICING THE CARTRIDGE: UNWD10, UNWD30 ONLY

1. Remove the INDICE then unthread the SCREW, pull off the HANDLE and unthread the GLAND COVER.
2. Remove the SPACER then unthread the RETAINING NUT and remove the CARTRIDGE.

NOTE: Do **NOT** discard the SPACER.



SERVICING THE CARTRIDGE: UNWD50 ONLY

1. Remove the INDICE then unthread the SCREW and pull off the HANDLE.
2. Remove the SPACER then unthread the RETAINING NUT and remove the CARTRIDGE.

NOTE: Do **NOT** discard the SPACER.