

.25

PT10KM

.25 One Hole High Profile Kitchen Faucet, Metal Handle and Metal Spray



TECHNICAL DETAILS

Fittings Hole Diameter: 38 mm
 Inlet Connection Size: 3/8"
 Inlet Connection Type: Female BSP
 Integrated Diverter: N
 Integrated Spray: N
 Primary Material: Brass
 Restricted Maximum Flow Rate: 8.3 liters/min
 Spout Reach: 6 5/16"
 Spout Swivel: N
 Spray Included in Unit: Y
 Suggested Application: Bar, Kitchen, Laundry
 Valve Material: Ceramic
 Water Pressure Maximum: 5.5 bar
 Water Pressure Minimum: 1.5 bar
 Water Pressure Recommended: 3.0 bar

INSPIRATION

.25 is the ultimate in utilitarian elegance: A simple and understated design that is equally functional and beautiful.

PRODUCT FEATURES

Standard flow rate is 2.2gpm (8.3 L/min). Also available in high efficiency flow options. Contact your sales associate or call 1 (800) 899-6757 for details.

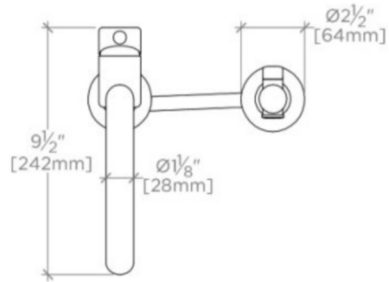
WATERWORKS

.25

PT10KM

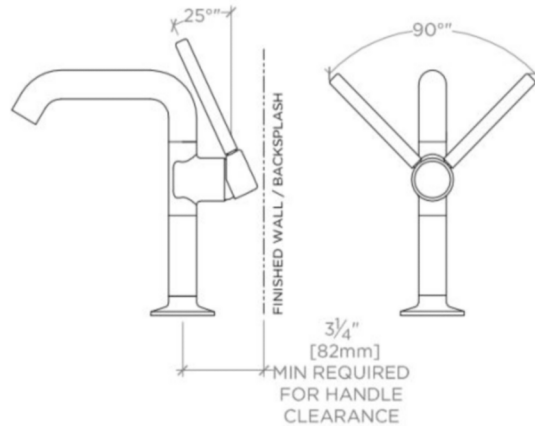
.25 One Hole High Profile Kitchen Faucet, Metal Handle and Metal Spray

NOTE: IT IS NOT RECOMMENDED TO MOUNT THE HANDLE POSITIONED TO THE SIDE, THE SPOUT WILL MAKE CONTACT WITH THE HANDLE WHEN SWIVELING. IF A SIDE MOUNTED HANDLE IS REQUIRED, PLEASE ORDER THE PTKM15.

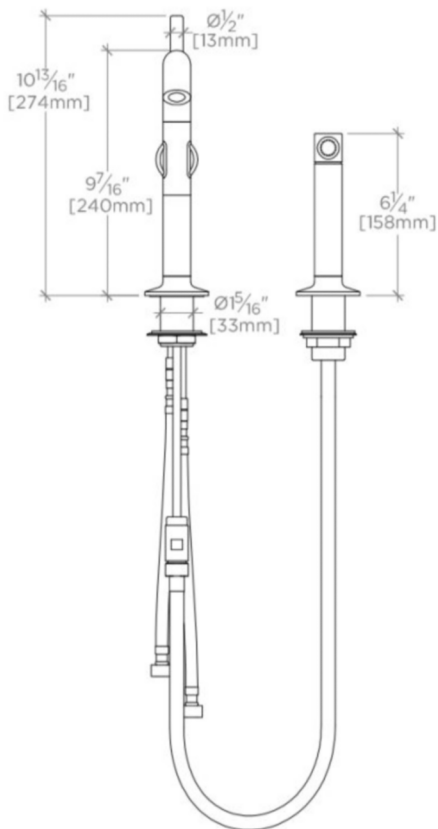


TOP VIEW

SCALE: 1/2"=1'-0"

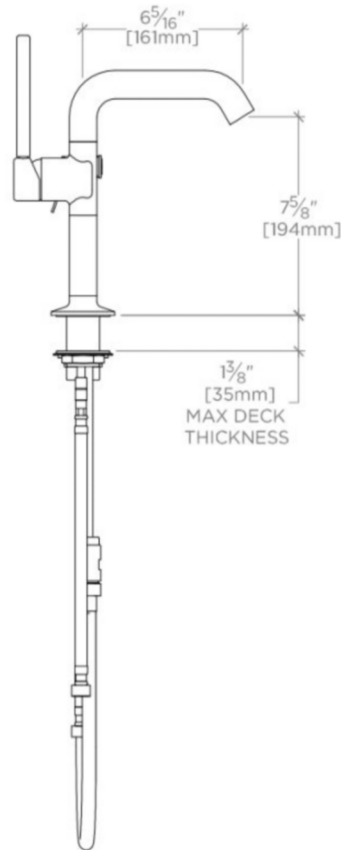


HANDLE OPERATION



FRONT VIEW

SCALE: 1/2"=1'-0"



SIDE VIEW

SCALE: 1/2"=1'-0"