

## DECIBEL

DBVC10

Decibel Volume Control Valve Trim with Metal Lever Handle



SHOWN IN DECIBEL VOLUME CONTROL VALVE TRIM WITH METAL LEVER HANDLE| DBVC10

### TECHNICAL DETAILS

Control Valve Rough-in Depth Maximum: 6 3/8"  
Control Valve Rough-in Depth Minimum: 2 5/8"  
Escutcheon Primary Material: Brass  
Fittings Hole Diameter: 1 3/8"  
Handle Turn Angle: Quarter Turn  
Depth / Width: 3 1/16"  
Height: 4 5/16"  
Length: 2 3/8"  
Primary Material: Brass  
Water Pressure Maximum: 80.0 psi  
Water Pressure Minimum: 20.0 psi  
Water Pressure Recommended: 45.0 psi

### INSPIRATION

Inspired by classic record players, Decibel gives all the sleekness of contemporary design, enhanced with special detailing.

### PRODUCT FEATURES

Lever Handle

This item is stocked in Chrome and Nickel finishes.

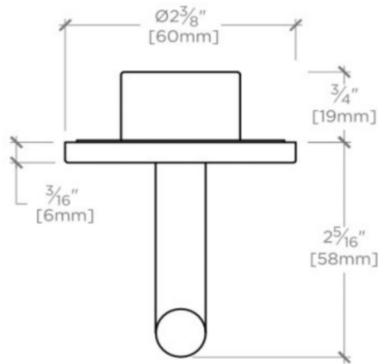
Requires 1/2" valve rough Hot -GUV18(USA) or GU18VC(UK). Cold -GUV19(USA) or GU19VC(UK), sold separately.

# WATERWORKS

## DECIBEL

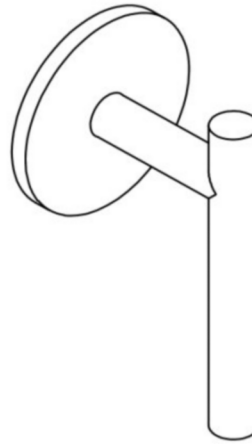
DBVC10

Decibel Volume Control Valve Trim with Metal Lever Handle



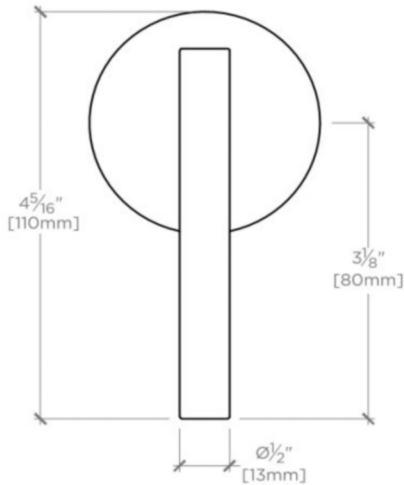
TOP VIEW

SCALE: 6"=1'-0"



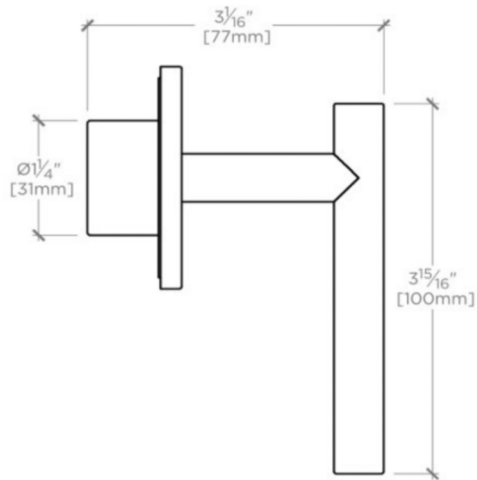
ISO VIEW

SCALE: 6"=1'-0"



FRONT VIEW

SCALE: 6"=1'-0"



SIDE VIEW

SCALE: 6"=1'-0"