

FORMWORK

FMPL23

Formwork Lithic Double Pedestal Sink for Three Hole Faucets 62" x 22 1/2" x 34"



SHOWN IN FORMWORK LITHIC DOUBLE PEDESTAL SINK FOR THREE HOLE FAUCETS 62" X 22 1/2" X 34" | FMPL23

TECHNICAL DETAILS

Assembly / Configuration: Three Piece
Drain Hole Depth: 2"
Drain Hole Diameter: 1 3/4"
Fitting Hole Configuration / Number: Three Holes Per Basin
Fittings Hole Depth: 5/8"
Fittings Hole Diameter: 1 3/8"
Depth / Width: 22 1/2"
Height: 34"
Item Weight (Filled): 350.0 pounds
Length: 62"
Outer Rim Shape: Rectangular
Overflow Opening: Yes
Primary Material: Molded Marble
Rough-in Supply Height Recommended: 21"
Rough-in Waste Height Recommended: 19"

INSPIRATION

Sculptural forms that defy the ordinary. Unexpected geometry and the transition of the planes create a subtle but warm expression.

PRODUCT FEATURES

Made from Lithic, our proprietary natural stone and epoxy resin composite material

Drilled for three hole faucets

Coordinates perfectly with any Formwork bathtub

Please ensure suitable construction and installation takes into account the particular weight of this product. Item Weight: 300 lbs.



PRODUCT (NOTES)

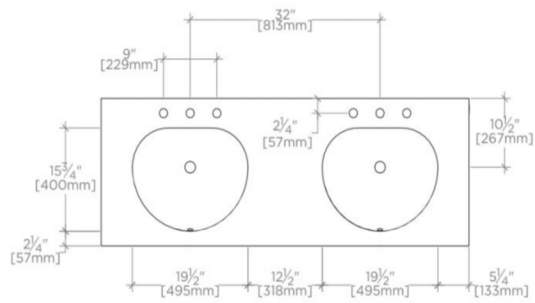
Please ensure suitable construction and installation takes into account the particular weight of this product. Item Weight: 300 lbs.

WATERWORKS

FORMWORK

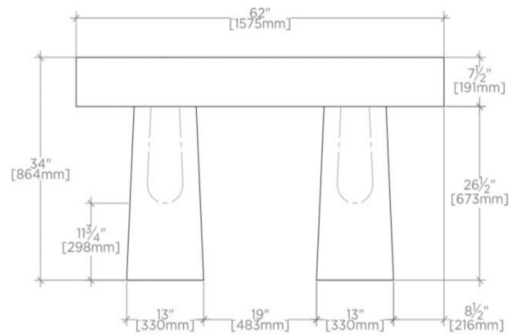
FMPL23

Formwork Lithic Double Pedestal Sink for Three Hole Faucets 62" x
22 1/2" x 34"



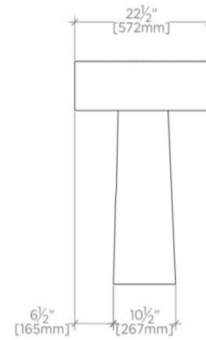
TOP VIEW

SCALE: 1/2"=1'-0"



FRONT VIEW

SCALE: 1/2"=1'-0"



SIDE VIEW

SCALE: 1/2"=1'-0"