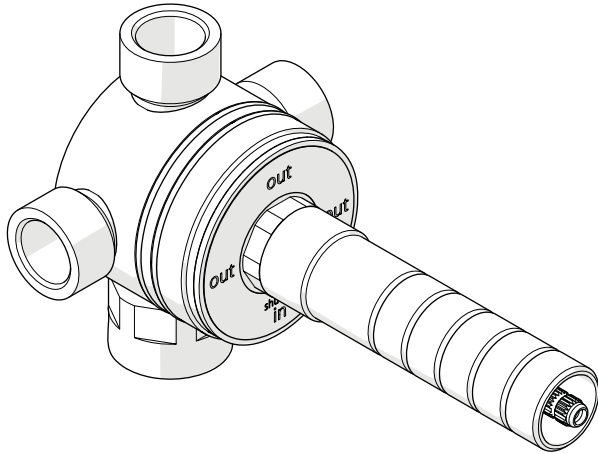


**STYLE No. GUDV66†**



**SPECIFICATIONS:**

Fittings Hole Diameter: Ø2-1/2" [64mm]\*  
 Inlet Connection: 3/4" Female NPT†  
 Outlet Connection: 1/2" Female NPT†  
 Internal Valve Material: Ceramic  
 Water Pressure Minimum: 20psi [1.5bar]  
 Water Pressure Maximum: 85psi [6.0bar]  
 Water Pressure Recommended: 45psi [3.0bar]  
 Unrestricted Max Flow Rate @ 45psi: 16.9gpm [64L/min]

\* Ø2-1/2" hole is required for servicing the valve.  
 † UK Style No. **GU66DV** is supplied with 4 **BSP** adapters, assembly required.

**REQUIRED PLUMBING DETAILS:**

Universal Three Way Thermostatic Diverter Valve Trim  
**STYLE No. UN3TG1, UN3TM1, or UN3TR1**  
 Universal Thermostatic Valve  
**STYLE No. GUTH37, GUTH56, or GUTH78**

**IMPORTANT:**

- To ensure this product is installed properly, you must read and follow these guidelines.
- The owner/user of this product must keep this information for future reference.
- This product can only be used with either the Universal Thermostatic Valve (GUTH37), the Universal 1/2" Thermostatic Valve (GUTH56) or the .25 Thermostatic Valve (GUTH78).
- This valve requires a compatible wall valve trim and trim plate. ALL PRODUCTS SOLD SEPARATELY.
- This product, the thermostatic valve (GUTH37, GUTH56 or GUTH78) and the associated trims must be on-site prior to rough-in. This allows the installer to visualize the installation.
- Check incoming water pressure.
- Inspect this product to assure you have all the parts required for proper installation.

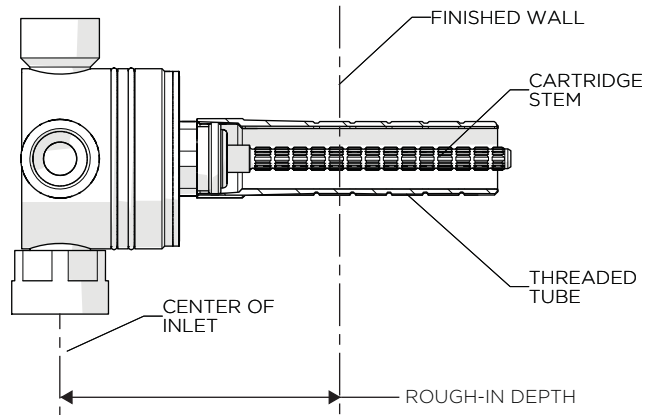
- Refer to the specification and assembly drawings attached. Product is sold partially assembled but shown fully disassembled for illustrative and service purposes only.
- This product must be installed by a professional licensed contractor. Ensure the installation conforms to all federal, state, and local codes. In the State of Massachusetts, all installations must comply with the rules and regulations set forth within 248 CMR.

**FUNCTION:**

- The Thermostatic Valves (GUTH37, GUTH56 and GUTH78) only mix hot and cold water, they do not have an on/off or volume control function. Mixed water flows out at a fixed volume to the diverter valve (GUDV66) which has 4 positions:
  - 3 that can direct water flow to a maximum of 3 devices. Water **cannot** flow out of the devices simultaneously (i.e. out of the shower head AND handshower together).
  - 1 position that shuts the water off to all devices.

**ROUGH-IN:**

- Valve **rough-in depth** is measured from the centerline of the inlets to the surface of the finished wall, as shown below, and varies depending on the trim and paired thermostatic valve being used.



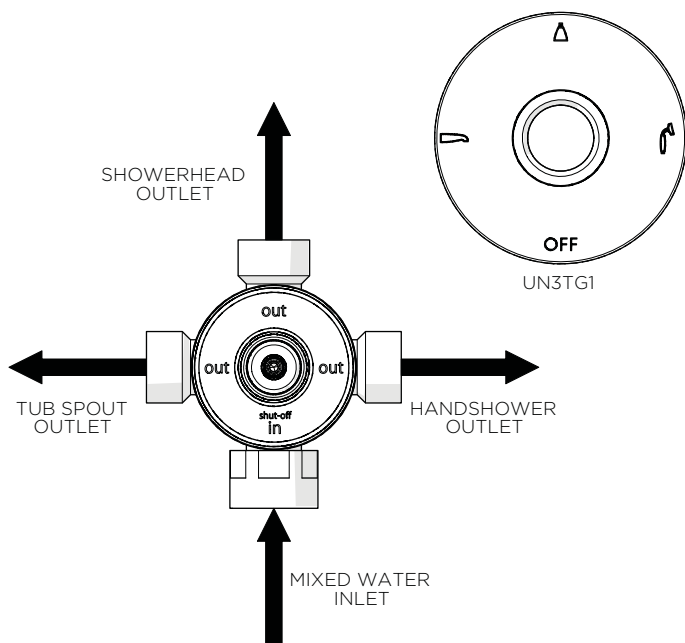
		GUDV66 ROUGH-IN DEPTH	
PAIRED VALVE	PAIRED TRIM	MIN	MAX
GUTH37	.25, Flyte, Opus, or R.W. Atlas	3-1/8" [79mm]	4-1/8" [105mm]
	Formwork	3-1/8" [79mm]	4-3/4" [121mm]
	Henry	2-7/8" [73mm]	4-1/8" [105mm]
	All Other	2-1/2" [64mm]	4-1/8" [105mm]
GUTH56	All	3-1/4" [83mm]	4-1/4" [108mm]
GUTH78	All	3-1/8" [79mm]	4-1/8" [105mm]

- You **must** have the paired thermostatic valve (GUTH37, GUTH56 or GUTH78) on hand in order to install this diverter valve (GUDV66).

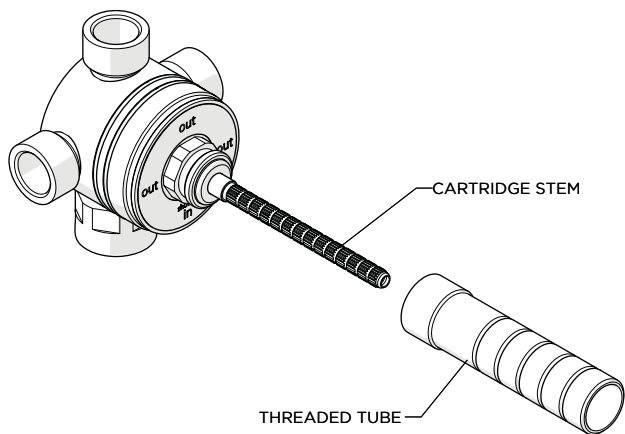
These guidelines have been prepared for the professional contractor to aid in the installation of:  
**UNIVERSAL THREE WAY DIVERTER VALVE WITH SHUTOFF FOR THERMOSTATIC SHOWER SYSTEMS**  
 (STYLE No. GUDV66, GU66DV).  
 All dimensions are based on original specification and are subject to change and variation.  
 Please consult your Design Associate for current specifications.

1. Make sure the diverter valve is positioned according to the valve markings with the inlet port situated so that mixed water flows into the inlet.
2. Rough-in the diverter valve to an appropriate depth based on the trim being used and plumb to the desired devices.

**NOTE:** When the valve (GUDV66) is paired with the Universal Three way Diverter Valve Trim with Graphics (UN3TG1), it is crucial that the outlet ports are plumbed to specific devices: handshower, shower head, and tub spout. Reference the image below.

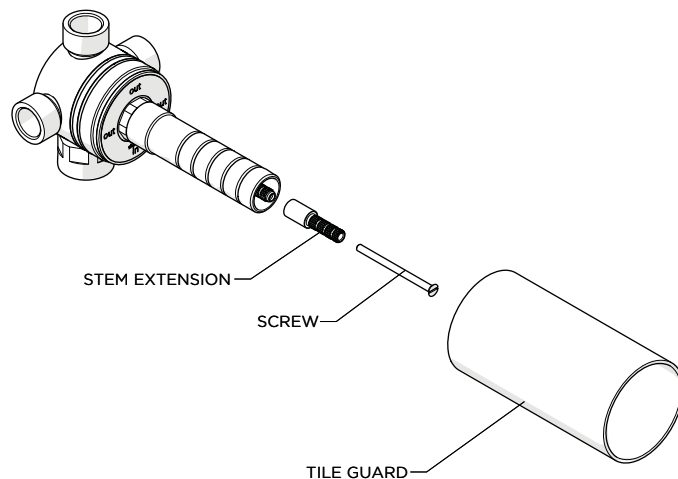


3. The cartridge stem and threaded tube on the diverter valve can be cut to various lengths depending on the style of trim. Refer to the Installation Guidelines of individual trims for cutting dimensions and related information.



4. After the rough-in is completed, turn on the hot and cold supplies then check for leaks. Allow the water to run so the lines can be flushed completely.

5. Verify all the valves are functioning properly.
6. Attach the stem extension to the cartridge stem with the screw then install the tile guard.



- If further assistance is required, please contact Product Support at 1-800-927-2120 (8am-6pm EST).
- Refer to the separate Service Parts Document for available replacement parts.
- The BSP adapters can be ordered separately:
  - Universal 3/4" Male NPT x 3/4" Female BSP Adapter **STYLE No. UNUK01**
  - Universal 1/2" Male NPT x 1/2" Female BSP Adapter **STYLE No. UNUK02**

These guidelines have been prepared for the professional contractor to aid in the installation of:  
**UNIVERSAL THREE WAY DIVERTER VALVE WITH SHUTOFF FOR THERMOSTATIC SHOWER SYSTEMS**  
(STYLE No. GUDV66, GU66DV).  
All dimensions are based on original specification and are subject to change and variation.  
Please consult your Design Associate for current specifications.

WATERWORKS