

DECIBEL

DBTH10

Decibel Thermostatic Control Valve Trim with Metal Knob Handle



SHOWN IN DECIBEL THERMOSTATIC CONTROL VALVE TRIM WITH METAL KNOB HANDLE| DBTH10

TECHNICAL DETAILS

Control Valve Rough-in Depth Maximum: 4 1/4"
Control Valve Rough-in Depth Minimum: 3 1/4"
Escutcheon Primary Material: Brass
Fittings Hole Diameter: 4 1/2"
Depth / Width: 1 15/16"
Height: 5 1/2"
Length: 5 1/2"
Primary Material: Brass
Water Pressure Maximum: 80.0 psi
Water Pressure Minimum: 20.0 psi
Water Pressure Recommended: 45.0 psi

INSPIRATION

Inspired by classic record players, Decibel gives all the sleekness of contemporary design, enhanced with special detailing.

PRODUCT FEATURES

Knob Handle

This item is stocked in Chrome and Nickel finishes.

Requires 1/2" valve rough GUTH56 (USA) or GU56TH (UK) sold separately

Allows bather to adjust temperature of all waterway outlets, features anti-scald protection through an integrated high limit safety stop

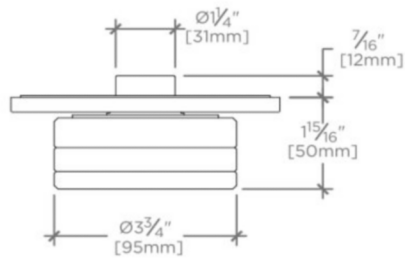
A solid brass trim plate features etched temperature graphic along with H and C markings

WATERWORKS

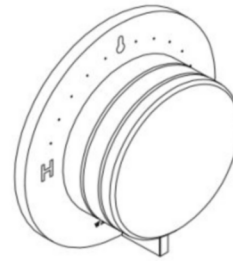
DECIBEL

DBTH10

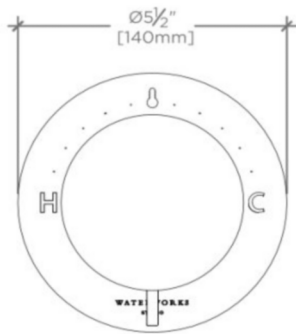
Decibel Thermostatic Control Valve Trim with Metal Knob Handle



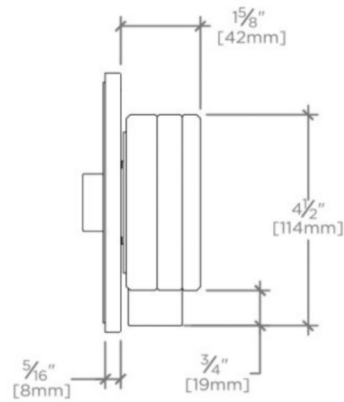
TOP VIEW SCALE: 3"=1'-0"



ISO VIEW SCALE: 3"=1'-0"



FRONT VIEW SCALE: 3"=1'-0"



SIDE VIEW SCALE: 3"=1'-0"