

ETOILE

Etoile Flare Concealed Tub Filler with Ebony Lever Handles

ETTF45



SHOWN IN ETOILE FLARE CONCEALED TUB FILLER WITH EBONY LEVER HANDLES|ETTF45

TECHNICAL DETAILS

ADA Compliance: No
Adjustable versus Fixed Spray: Fixed Spray
Escutcheon Primary Material: Brass
Handle Spread Maximum: 6"
Handle Spread Minimum: 6"
Handle Turn Angle: Quarter Turn
Depth / Width: 9"
Height: 8 1/4"
Inlet Connection Size: 1/2"
Inlet Connection Type: Copper Sweat
Inlet Supply Spread Maximum: 6"
Inlet Supply Spread Minimum: 6"
Installation Type: Wall Mounted
Integrated Diverter: N
Length: 15"
Number of Handles: Two
Number of Holes: One Hole
Pivot: N
Primary Material: Brass
Spout Swivel: N
Suggested Application: Bath
Water Pressure Maximum: 85.0 psi
Water Pressure Minimum: 20.0 psi
Water Pressure Recommended: 45.0 psi

INSPIRATION

Defined elegance. Etoile has a European sophistication with a timeless sense of chic.

CODES & STANDARDS

Code # ETTU45:

PRODUCT FEATURES

The beautifully balanced proportions of this tub filler, set off by the ebony lever handles, epitomize Etoile's grandly calibrated aesthetic.

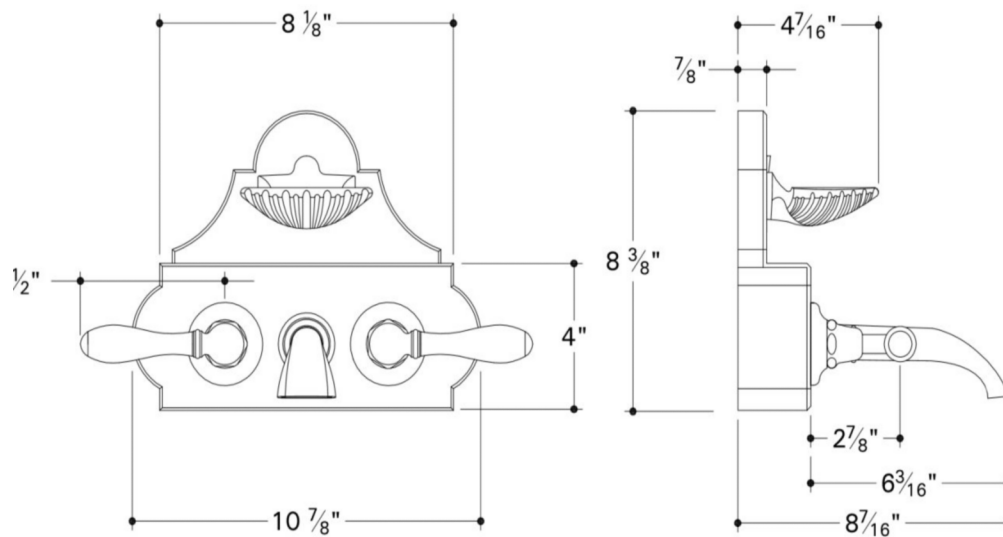
The manufacturing process encompasses casting, turning, forging, hand-fitting and hand polishing.



ETOILE

ETTF45

Etoile Flare Concealed Tub Filler with Ebony Lever Handles



Notes:

- Inlets: 1/2" male IPS
- Check tub deck and tub measurements to assure the spout projects far enough into the tub.
- Anti scald protection is the responsibility of the installer and according to applicable code