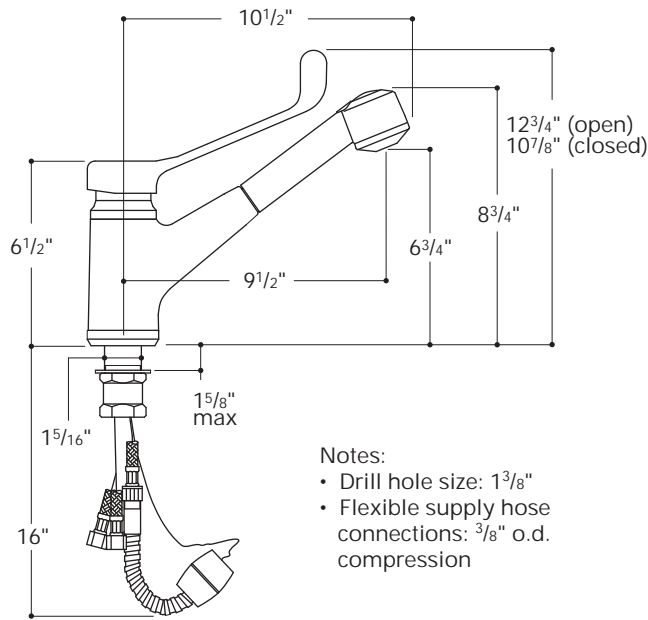


WWKMI3

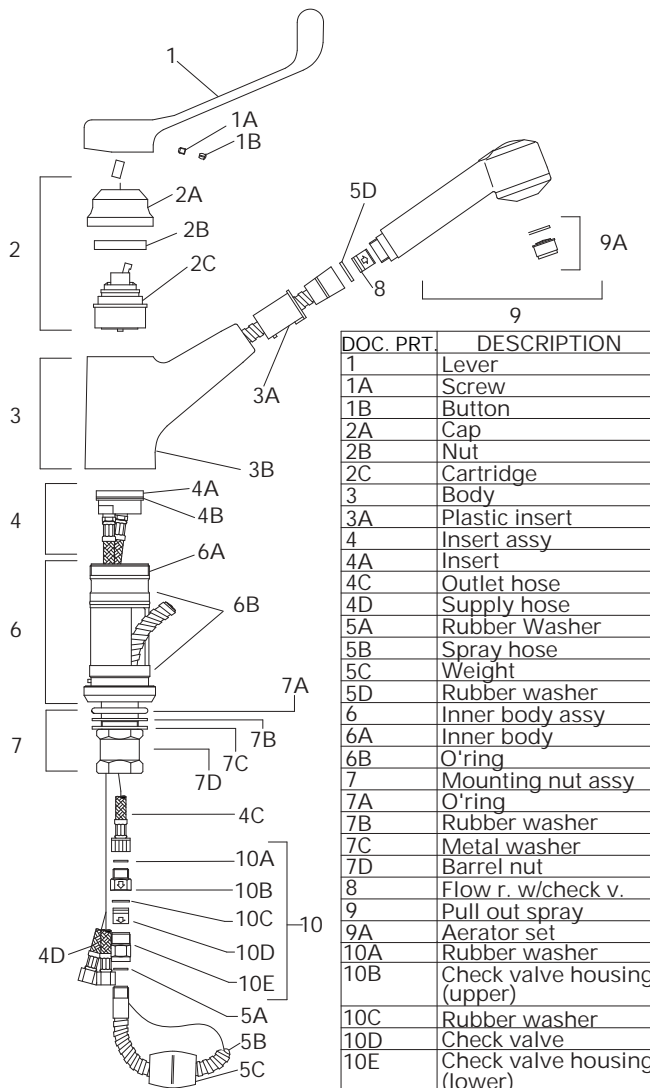


- Notes:
- Drill hole size: 1 3/8"
 - Flexible supply hose connections: 3/8" o.d. compression

INSTALLATION GUIDELINES

These guidelines have been prepared for the professional contractor to aid in installation. **Important note:** This faucet is protected against back flow by a certified double check valve system. One check valve is located at the inlet of the sprayhead hose and one is located at the inlet of the sprayhead. These check valves should not be removed.

- Use only a protected, smooth-jawed or strap wrench on any finished surface.
- If possible, install the faucet assembly on the sink or mounting surface before setting.
- Remove the barrel nut (7D), metal washer (7C) and rubber washer (7B) from the base of the spout.
- Insert the supply hoses (4D) and spout shank through the mounting hole on the sink. Secure the faucet body (6) using the barrel nut (7D) and washers (7C+7B) provided (the barrel nut should only be hand-tightened at this time). Do not use plumber's putty, upper and lower washers are provided. The barrel nut (7D) will accommodate various deck thicknesses. For standard thickness (1" or less), apply the barrel nut (7D) with the unthreaded portion first.
- Check the spouts rotation to ensure that it rotates to the left and the right. Now the barrel nut (7D) can be fully tightened.
- Feed the male threaded end of the spray hose (5B) into the faucet body (3) until the sprayer (9) is fully seated.
- Connect the male threaded end of the spray hose (5B) to the check valve assembly (10). Then connect the outlet hose (4C) to the other side of the check valve assembly (10). Be sure to use the washers provided.
- Attach the weight (5C) to the hose (5B) on the spout side of the loop just above the bend using the screws provided.
- Connect the supply hoses (4D) to the water supply valves (not supplied).
- Check that all connections are watertight.
- After installation, unscrew and remove the pullout sprayer (9) from the spray hose (5B). With the spray hose (5B) in hand and positioned over the sink move the faucet lever (1) to the full open position to flush out any debris in the supply lines. Once the lines have been flushed, turn the faucet off and reinstall the sprayer.
- If further assistance is required, please contact Product Support at: 1-800-927-2120 (8am-7pm EST).



DOC. PRT.	DESCRIPTION
1	Lever
1A	Screw
1B	Button
2A	Cap
2B	Nut
2C	Cartridge
3	Body
3A	Plastic insert
4	Insert assy
4A	Insert
4C	Outlet hose
4D	Supply hose
5A	Rubber Washer
5B	Spray hose
5C	Weight
5D	Rubber washer
6	Inner body assy
6A	Inner body
6B	O'ring
7	Mounting nut assy
7A	O'ring
7B	Rubber washer
7C	Metal washer
7D	Barrel nut
8	Flow r. w/check v.
9	Pull out spray
9A	Aerator set
10A	Rubber washer
10B	Check valve housing (upper)
10C	Rubber washer
10D	Check valve
10E	Check valve housing (lower)

OPERATION:

- Lift the handle (1) to operate the faucet. Raising the handle upward increases the volume.
- Rotate to the left for hot water and to the right for cold water.
- Pressing the button on the top of the sprayer (9) changes the flow. The normal flow is aerated and pressing the button changes it to a fine spray. Once the faucet is turned off the sprayer reverts back to the normal flow.