

.25

5 1/2" Shower Head, Arm and Flange

PTSH73



SHOWN IN NICKEL

TECHNICAL DETAILS

Primary Material: Brass
Inlet Connection Size: 1/2"
Inlet Connection Type: Male NPT
Minimum Water Pressure: 25 psi
Fittings Hole Diameter: 1 1/4"
Recommended Water Pressure: 45 psi
Restricted Maximum Flow Rate: 2.5 gpm

INSPIRATION

.25 is the ultimate in utilitarian elegance: a simple and understated design that is equally functional and beautiful.

CODES & STANDARDS

ASME A112.18.1 / CSA B125.1, IAPMO, State of MA
Local plumbing codes may vary.

PRODUCT FEATURES

Clean lines and modern elegance define the .25 family
Customize your shower experience with a shower head, arm, and flange
Stocked in Chrome and Nickel finishes; other finishes available by special order.

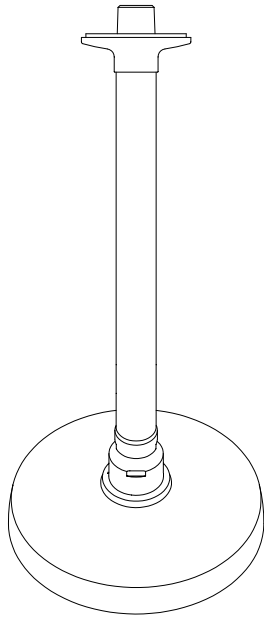
CERTIFICATIONS



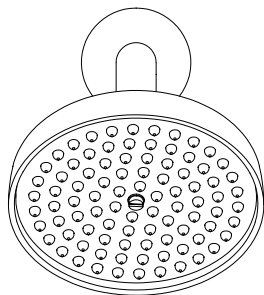
.25

PTSH73

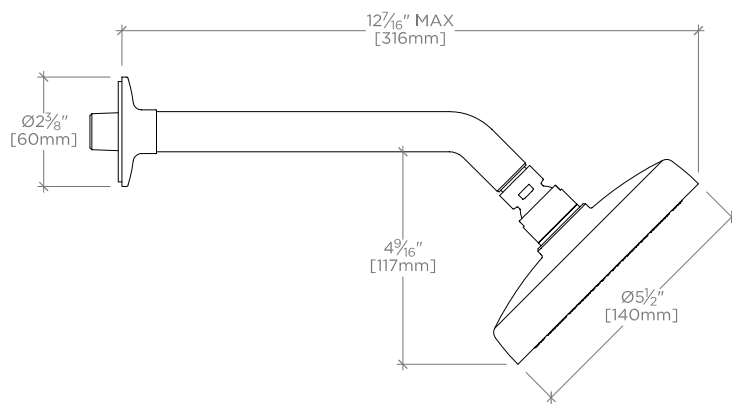
5 1/2" Shower Head, Arm and Flange with
Fixed Spray



TOP VIEW SCALE: 3"=1'-0"



FRONT VIEW SCALE: 3"=1'-0"



SIDE VIEW SCALE: 3"=1'-0"

