

.25

PTLV23

.25 Lithic Rectangular Wall Mounted Double Sink for Three Hole Faucets



SHOWN IN .25 LITHIC RECTANGULAR WALL MOUNTED DOUBLE SINK FOR THREE HOLE FAUCETS| PTLV23

TECHNICAL DETAILS

Bowl Shape: Rectangular
Drain Hole Depth: 2"
Drain Hole Diameter: 1 3/4"
Fitting Hole Configuration / Number: Three Holes Per Basin
Fittings Hole Depth: 5/8"
Fittings Hole Diameter: 1 3/8"
Depth / Width: 20"
Height: 19 1/2"
Length: 52"
Outer Rim Shape: Rectangular
Overflow Opening: Yes
Primary Material: Molded Marble
Rough-in Supply Height Recommended: 21"
Rough-in Waste Height Recommended: 19"

INSPIRATION

.25 is the ultimate in utilitarian elegance: A simple and understated design that is equally functional and beautiful.

PRODUCT FEATURES

Made from Lithic, our proprietary natural stone and epoxy resin composite material

Drilled for three hole faucets

Please ensure suitable construction and installation takes into account the particular weight of this product.



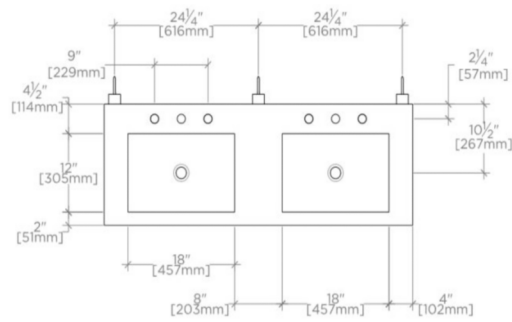
PRODUCT (NOTES)

Please ensure suitable construction and installation takes into account the particular weight of this product.

.25

PTLV23

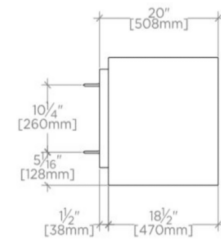
.25 Lithic Rectangular Wall Mounted Double Sink for Three Hole Faucets



TOP VIEW SCALE: 1/2"=1'-0"



FRONT VIEW SCALE: 1/2"=1'-0"



SIDE VIEW SCALE: 1/2"=1'-0"