

.25

PTLS01

.25 Low Profile Three Hole Deck Mounted Lavatory Faucet with Metal Cross Handles



SHOWN IN [.25 LOW PROFILE THREE HOLE DECK MOUNTED LAVATORY FAUCET WITH METAL CROSS HANDLES] PTLS01

TECHNICAL DETAILS

ADA Compliance: Yes
 Adjustable versus Fixed Spray: Fixed Spray
 Deck Thickness Maximum: 54 mm
 Deck Thickness Minimum: 3 mm
 Drain Assembly Materials: Brass
 Drain Depth Maximum: 44 mm
 Drain Hole Diameter: 44 mm
 Drain Style: Push Touch
 Escutcheon Primary Material: Brass
 Fittings Hole Diameter: 35 mm
 Flow Restriction Options: 1.0 , 1.2 , 1.5 , 1.75, 2.2
 Handle Spread Maximum: 305 mm
 Handle Spread Minimum: 203 mm
 Handle Turn Angle: Quarter Turn
 Depth / Width: 181 mm
 Drain Depth Minimum: 32 mm
 Height: 102 mm
 Inlet Connection Size: 1/2"
 Inlet Connection Type: Male With Supply Nut
 Inlet Supply Spread Maximum: 305 mm
 Inlet Supply Spread Minimum: 203 mm
 Installation Type: Deck Mounted
 Length: 289 mm
 Number of Handles: Two
 Number of Holes: Three Hole
 Primary Material: Brass
 Spout Swivel: N
 Suggested Application: Bath
 Valve Material: Ceramic
 Water Pressure Maximum: 6.0 bar
 Water Pressure Minimum: 1.5 bar
 Water Pressure Recommended: 3.0 bar

INSPIRATION

.25 is the ultimate in utilitarian elegance: A simple and understated design that is equally functional and beautiful.

CODES & STANDARDS

Code # PTLS01Y-LLX: Complies with ASME A112.18.1/CSA B125.1, cUPC, NSF 61/NSF 372, and ADA. Certified with IAPMO, NSF, CEC, DOE, State of MA, WaterSense, and WRAS.

PRODUCT FEATURES

Uses a simple pop-up drain that is closed and opened by pushing down on the stopper. Does not use a lift rod to operate the drain stopper.

The cross handle's anthropomorphic form is not only gentle in its execution, but also welcome to the touch.

Standard flow rate is 2.2gpm (8.3 L/min) and State of California requires 1.2gpm(4.5 L/min). Also available in other flow options. Contact a sales associate for details.

CERTIFICATIONS



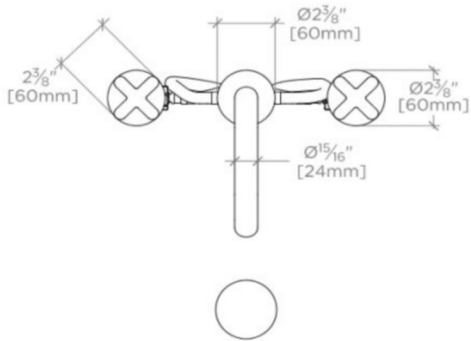
PRODUCT (NOTES)

Sold with European style drain; USA style drain sold separately for use with non-Waterworks sinks.

.25

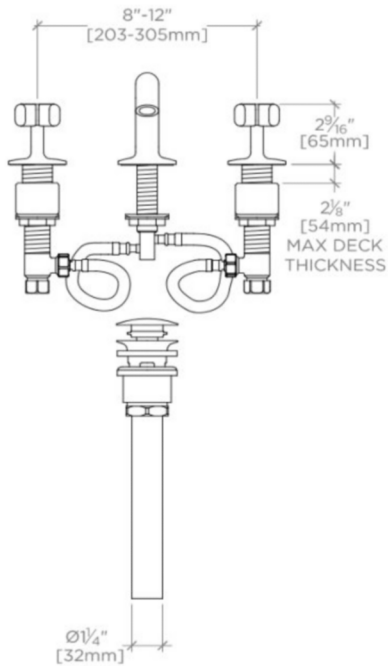
PTLS01

.25 Low Profile Three Hole Deck Mounted Lavatory Faucet with Metal Cross Handles



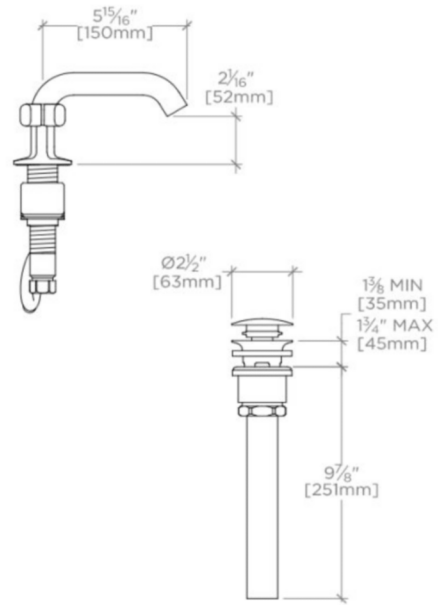
TOP VIEW

SCALE: 1 1/2"=1'-0"



FRONT VIEW

SCALE: 1 1/2"=1'-0"



SIDE VIEW

SCALE: 1 1/2"=1'-0"