

WATERWORKS

PRODUCT SUPPORT
800.927.2120
WATERWORKS.COM

UNIVERSAL

Kitchen Sink Strainer 3 1/2" in Chrome

STYLE No. UNKS30

REFERENCE No. FDMS30C

ITEM No. 26-31908-38621

SPECIFICATIONS
PAGE 1 OF 3

DESIGN

Our Universal collection features timeless designs complementing any of our Waterworks or Waterworks Studio families. With a wide range of product, from fittings to accessories, Universal adds exquisite proportion and balance to any environment.

FEATURES

This kitchen sink basket is a fitting complement to any Waterworks kitchen sink.

This item is stocked in a Chrome, Nickel or Matte Nickel finishes and additional made-to-order finish options are available in 12 weeks from purchase

Clean and timeless in design, this beautiful sink basket is made with brass materials.



SHOWN IN Stainless Steel

WATERWORKS

PRODUCT SUPPORT
800.927.2120
WATERWORKS.COM

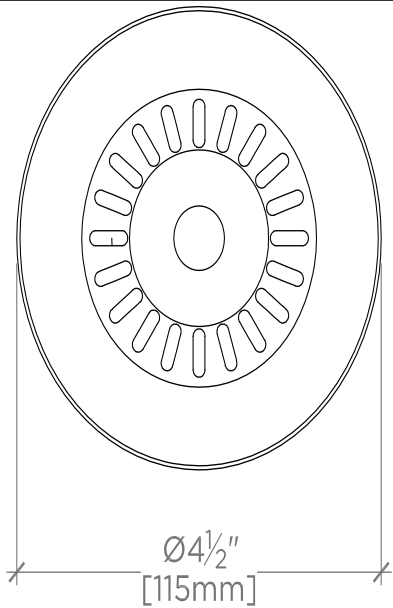
UNIVERSAL

Kitchen Sink Strainer 3 1/2" in Chrome

STYLE No. UNKS30
REFERENCE No. FDMS30C
ITEM No. 26-31908-38621

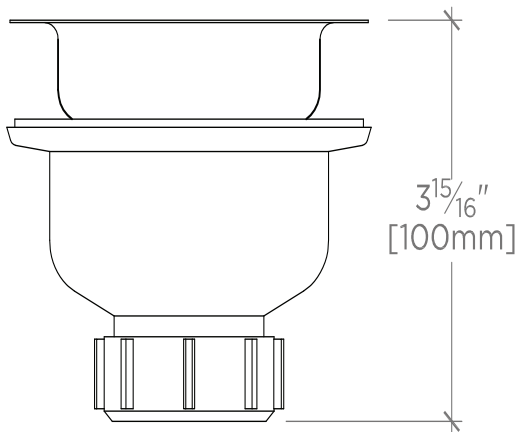
SPECIFICATIONS
PAGE 2 OF 3

All dimensions are based on original specifications and are subject to change and variation. Please consult your Design Associate for current specifications.



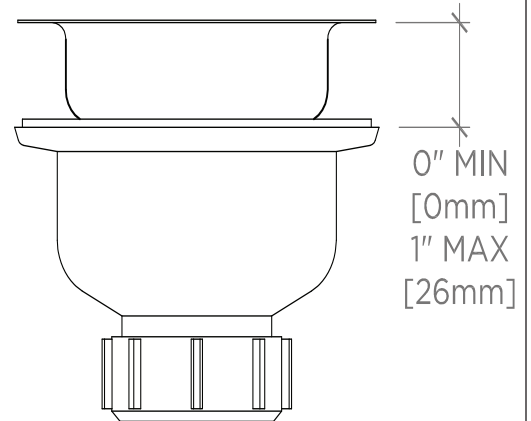
TOP VIEW

SCALE: 3"=1'-0"



FRONT VIEW

SCALE: 3"=1'-0"



SIDE VIEW

SCALE: 3"=1'-0"

WATERWORKS

PRODUCT SUPPORT
800.927.2120
WATERWORKS.COM

UNIVERSAL

Kitchen Sink Strainer 3 ½" in Chrome

STYLE No. UNKS30

REFERENCE No. FDMS30C

ITEM No. 26-31908-38621

SPECIFICATIONS

PAGE 3 OF 3

SPECIFICATIONS

Primary Material: Brass
Drain Depth Maximum: 1"
Drain Depth Minimum: 0"
Drain Hole Diameter: 3 ½"
Outlet Connection Size:
Outlet Connection Type:

CARE INSTRUCTIONS

To clean the finish, wipe gently with a soft damp cloth and then with a soft dry towel. A mild soap solution can be used for daily cleaning.

CODES AND STANDARDS