

.25

PTLV21

.25 Lithic Rectangular Wall Mounted Double Sink for One Hole Faucets



SHOWN IN .25 LITHIC RECTANGULAR WALL MOUNTED DOUBLE SINK FOR ONE HOLE FAUCETS| PTLV21

TECHNICAL DETAILS

Bowl Shape: Rectangular
Drain Hole Depth: 51 mm
Drain Hole Diameter: 44 mm
Fitting Hole Configuration / Number: One Hole Per Basin
Fittings Hole Depth: 16 mm
Fittings Hole Diameter: 35 mm
Depth / Width: 508 mm
Height: 495 mm
Length: 1321 mm
Outer Rim Shape: Rectangular
Overflow Opening: Yes
Primary Material: Molded Marble
Rough-in Supply Height Recommended: 533 mm
Rough-in Waste Height Recommended: 483 mm

INSPIRATION

.25 is the ultimate in utilitarian elegance: A simple and understated design that is equally functional and beautiful.

PRODUCT FEATURES

Made from Lithic, our proprietary natural stone and epoxy resin composite material
Drilled for one hole faucets

Each piece is individually cast and finished with more than 20 hours of hand polishing
Please ensure suitable construction and installation takes into account the particular weight of this product.

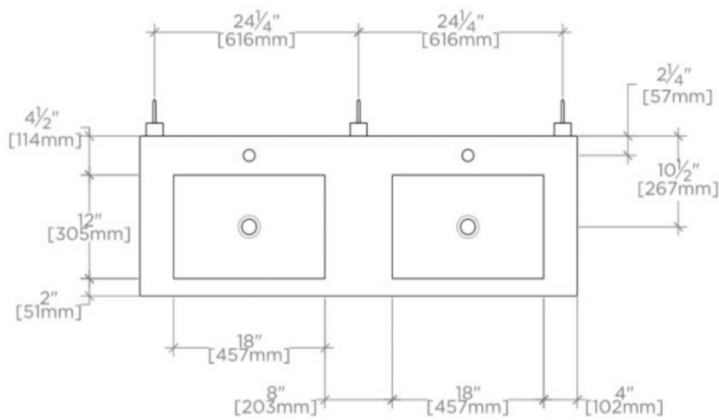
PRODUCT (NOTES)

Please ensure suitable construction and installation takes into account the particular weight of this product.

.25

PTLV21

**.25 Lithic Rectangular Wall Mounted Double Sink for One Hole
Faucets**



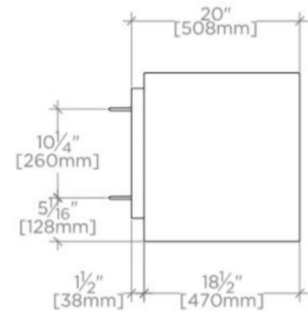
TOP VIEW

SCALE: 1/2"=1'-0"



FRONT VIEW

SCALE: 1/2"=1'-0"



SIDE VIEW

SCALE: 1/2"=1'-0"