

WATERWORKS

PRODUCT SUPPORT
800.927.2120
WATERWORKS.COM

CAMERON

Wall Mounted Double Arm Sconce with
Round Glass Shade in Chrome

STYLE No. CWLT80

REFERENCE No. NWLT80C

ITEM No. 18-07052-12132

SPECIFICATIONS

PAGE 1 OF 3

DESIGN

A nod to favorite
London hotel baths,
this sconce provides
structured ambiance.

FEATURES

18" x 6" x 5"

UL listed for use in
damp environments

Chrome & Nickel
Finishes

Brass Construction



SHOWN IN finish/color

WATERWORKS

PRODUCT SUPPORT
800.927.2120
WATERWORKS.COM

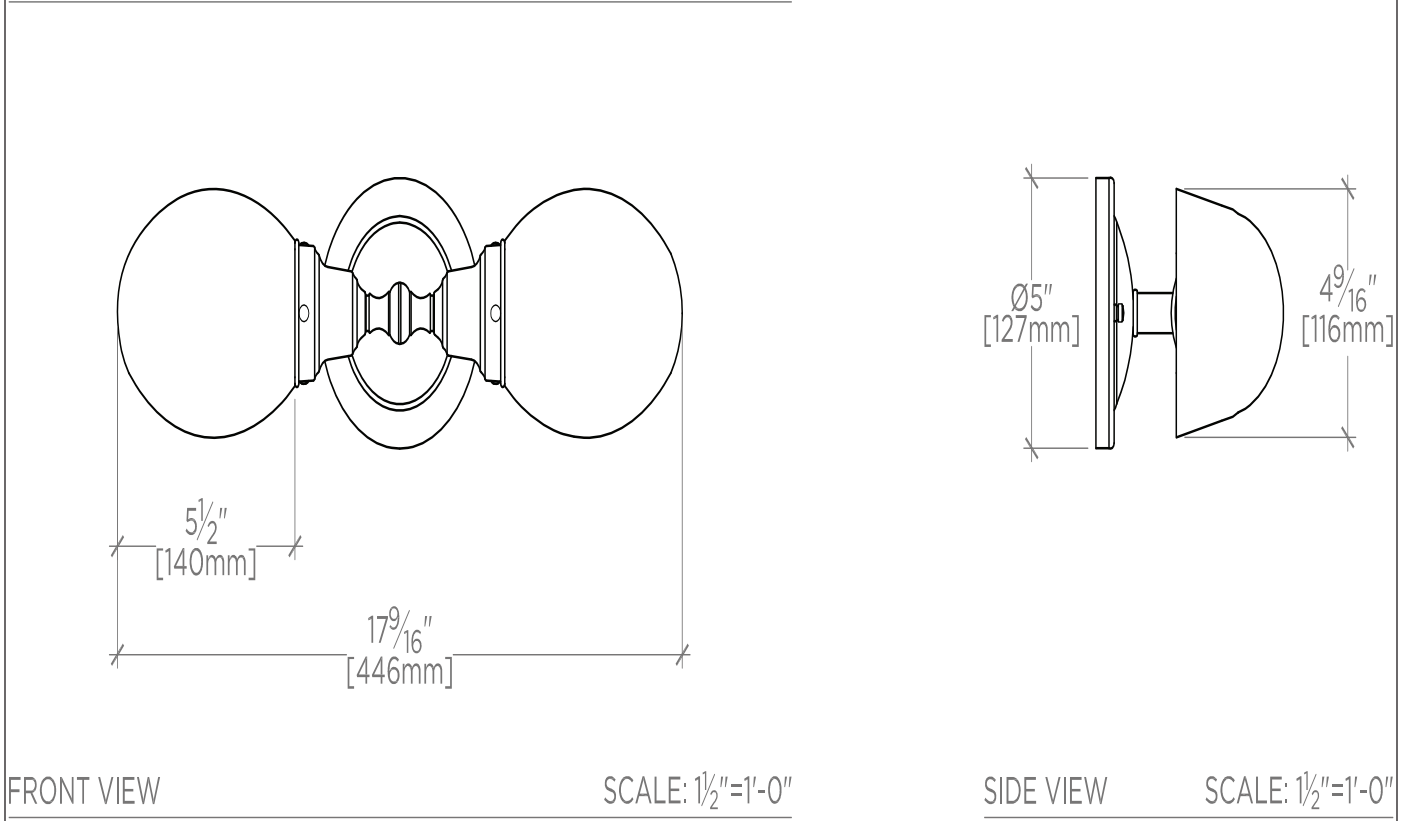
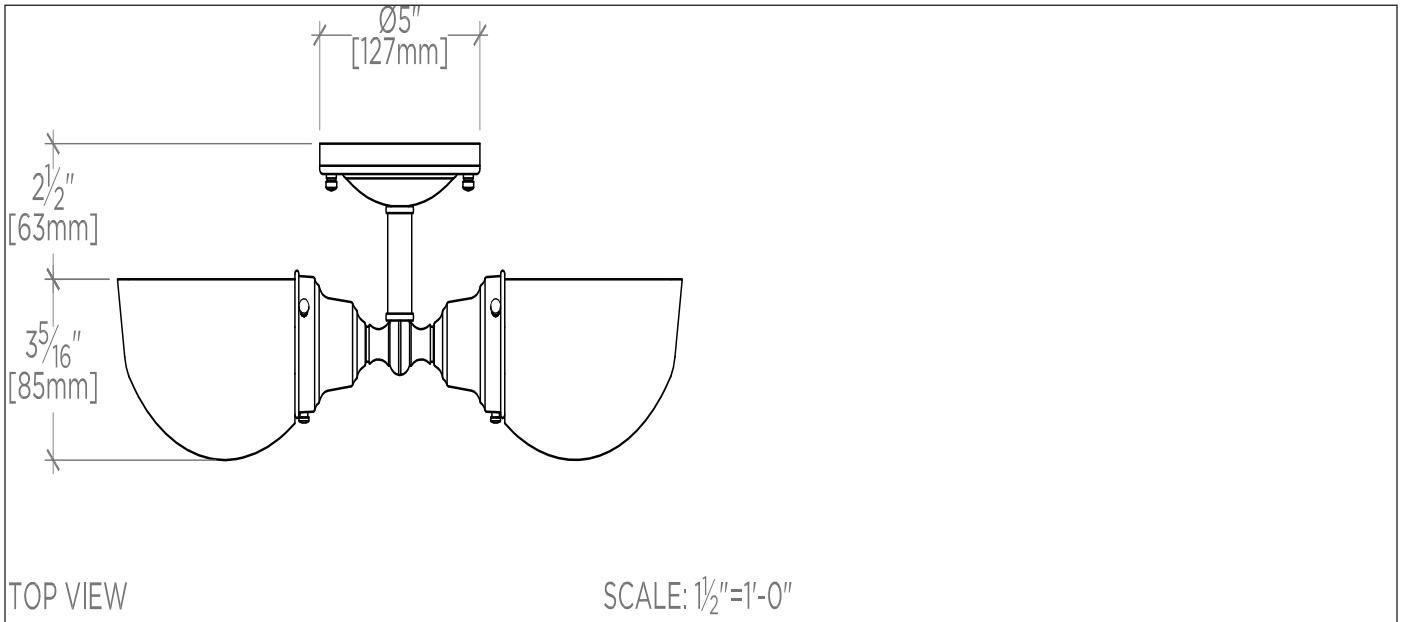
CAMERON

Wall Mounted Double Arm Sconce with
Round Glass Shade in Chrome

STYLE No. CWLT80
REFERENCE No. NWLT80C
ITEM No. 18-07052-12132

SPECIFICATIONS
PAGE 2 OF 3

All dimensions are based on original specifications and are subject to change and variation. Please consult your Design Associate for current specifications.



WATERWORKS

PRODUCT SUPPORT
800.927.2120
WATERWORKS.COM

CAMERON

Wall Mounted Double Arm Sconce with
Round Glass Shade in Chrome

STYLE No. CWLT80

REFERENCE No. NWLT80C

ITEM No. 18-07052-12132

SPECIFICATIONS

PAGE 3 OF 3

SPECIFICATIONS

Primary Material: Brass
Ambient / Task: Ambient
Bulb Base Size: Medium - E26
Bulb Type: 100 watt max medium base
Electric Requirements:
Installation Type: Wall Mounted
Junction Box Orientation: Any
Junction Box Size (L x W): 4 round - single gang"
Light Direction:
Number of Bulbs: Two
Orientation: Horizontal
Required Electrical Feeds:
Safety Warnings:
Shade Finish: Translucent
Shade Fitter Size:
Shade Material: Glass
Shade Shape: Round
Suggested Application: Bath
Voltage: 120V
Wattage: 2 bulbs at 100 watt maximum each
Wet / Dry:

CARE INSTRUCTIONS

To clean the finish, wipe gently with a soft damp cloth and then with a soft dry towel. A mild soap solution can be used for daily cleaning.

CODES AND STANDARDS

UL, CSA