

SIGNAL

SILT04

Signal Ceiling Mounted Large Pendant with Acrylic Shade



SHOWN IN SIGNAL CEILING MOUNTED LARGE PENDANT WITH ACRYLIC SHADE| SILT04

TECHNICAL DETAILS

Ambient / Task: Task
Bulb Base Size: LED
Bulb Type: COB
Depth / Width: 13 7/8"
Height: 20 1/16"
Installation Type: Ceiling Mounted
Interior / Exterior Application: Interior Only
Junction Box Orientation: Any
Length: 13 7/8"
Number of Bulbs: One
Primary Material: Brass
Safety Warnings: Reinforcement required; surge protector and 3mm safety cable supplied
Shade Finish: Polished
Shade Material: Acrylic
Shade Shape: Tapered Cylinder
Voltage: 120
Wet / Dry: Damp or Dry

INSPIRATION

Reminiscent of the maritime warning lights used in lighthouses, Signal lanterns are a contemporary take characterized by clean mechanical lines and simple geometries. In this modern interpretation of the Fresnel lens, faceted jewel-like acrylic rings refract and disperse light at varying angles from a single focus point, reducing glare and producing an elegant even glow.

CODES & STANDARDS

ETL C/US

PRODUCT FEATURES

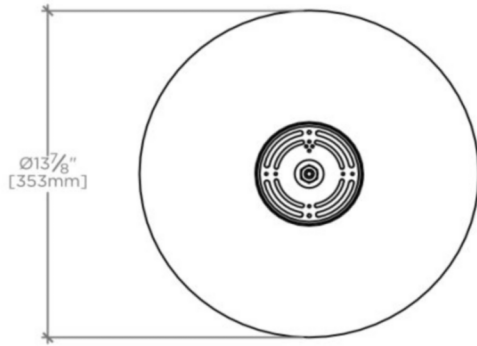
Acrylic rings stacked shade
Solid brass for metal finishes, Steel for painted finish
Uses 12 Watt LED (included)
UL and CUL Listed
3000K, 80 CRI LED with 30000 hours of life expectancy.

SIGNAL

SILT04

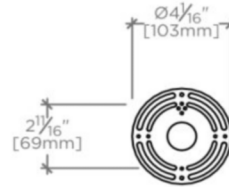
Signal Ceiling Mounted Large Pendant with Acrylic Shade

NOTE: LIGHT IS VERY HEAVY AND REQUIRES A HEAVY DUTY MOUNTING BOX



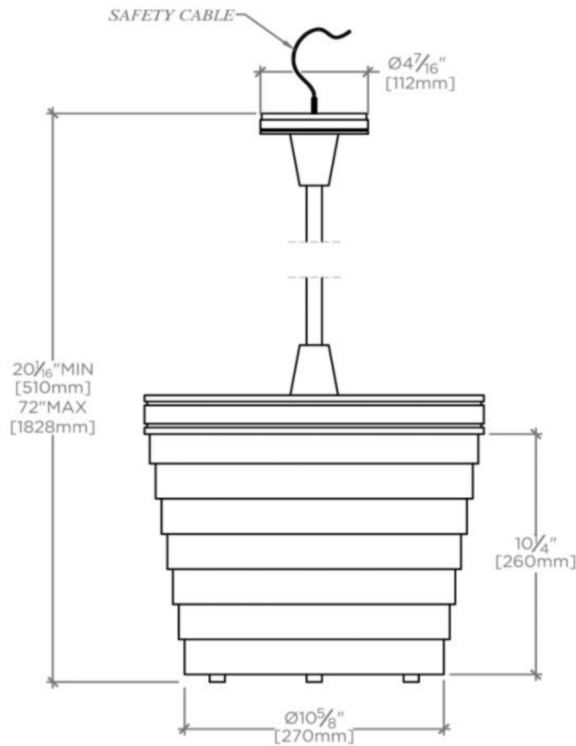
TOP VIEW

SCALE: 1 1/2"=1'-0"



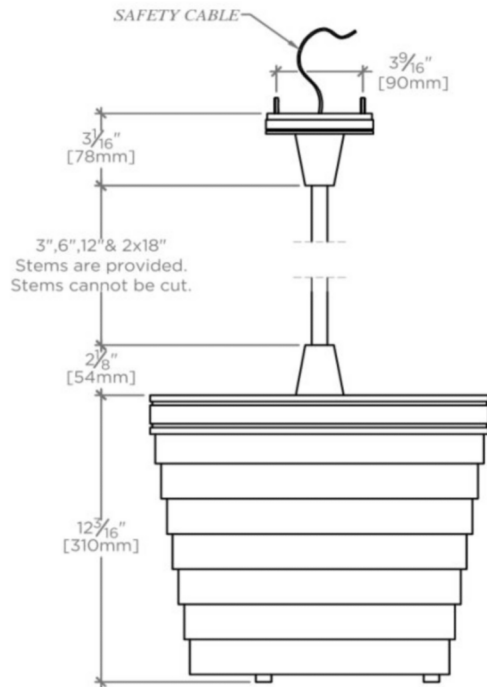
MOUNTING PLATE

SCALE: 1 1/2"=1'-0"



FRONT VIEW

SCALE: 1 1/2"=1'-0"



SIDE VIEW

SCALE: 1 1/2"=1'-0"