

AERO

AELS03

Aero Low Profile Three Hole Deck Mounted Lavatory Faucet with Ebony Cross Handles



SHOWN IN AERO LOW PROFILE THREE HOLE DECK MOUNTED LAVATORY FAUCET WITH EBONY CROSS HANDLES| AELS03

TECHNICAL DETAILS

ADA Compliance: Yes
 Adjustable Levelers / Feet: N
 Adjustable Shelves: N
 Adjustable versus Fixed Spray: Fixed Spray
 Deck Thickness Maximum: 1 3/16"
 Deck Thickness Minimum: 0"
 Drain Assembly Materials: Brass
 Drain Depth Maximum: 1 3/4"
 Drain Hole Diameter: 1 5/8"
 Drain Style: Pop-up
 Fittings Hole Diameter: 1 3/8"
 Flow Restriction Options: 1.0 , 1.2 , 1.5 , 1.75, 2.2
 Garbage Disposal: N
 Handle Spread Maximum: 12"
 Handle Spread Minimum: 8"
 Handle Turn Angle: Quarter Turn
 Depth / Width: 8"
 Drain Depth Minimum: 1 3/8"
 Height: 3"
 Inlet Connection Size: 1/2"
 Inlet Connection Type: Male with Supply Nut
 Inlet Supply Spread Maximum: 12"
 Inlet Supply Spread Minimum: 8"
 Installation Type: Deck Mounted
 Integrated Sensor Disk: N
 Interior Finish of Trapway: N
 Length: 12"
 Sink Visibility: N
 Sound Proofing: N
 Spray Included in Unit: N
 Suggested Application: Bath
 Valve Material: Ceramic
 Water Pressure Maximum: 85.0 psi
 Water Pressure Minimum: 20.0 psi
 Water Pressure Recommended: 45.0 psi

INSPIRATION

Inspired by the stepped detail of 19th century telescopes, Aero is a combination of historical reference with a contemporary temperament. The result is original and modern, bringing a look of updated elegance.

CODES & STANDARDS

Code # AELS03: CEC

PRODUCT FEATURES

Standard flow rate is 2.2gpm (8.3 L/min) and State of California requires 1.2gpm(4.5 L/min). Also available in other flow options. Contact a sales associate for details.

CERTIFICATIONS



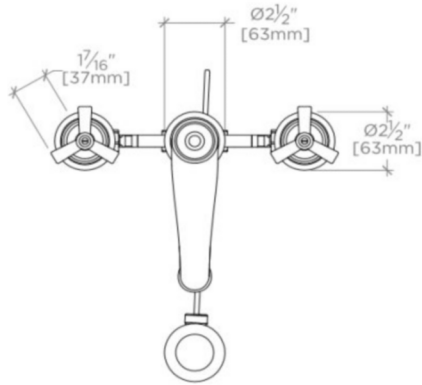
PRODUCT (NOTES)

Sold with European style drain; USA style drain sold separately for use with non-Waterworks sinks.

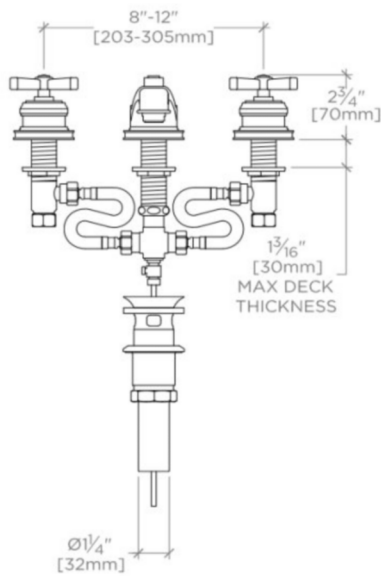
AERO

AELS03

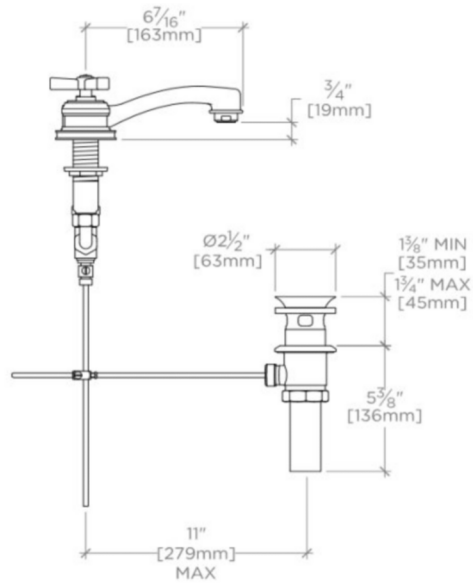
Aero Low Profile Three Hole Deck Mounted Lavatory Faucet with Ebony Cross Handles



TOP VIEW SCALE: 1/2"=1'-0"



FRONT VIEW SCALE: 1/2"=1'-0"



SIDE VIEW SCALE: 1/2"=1'-0"