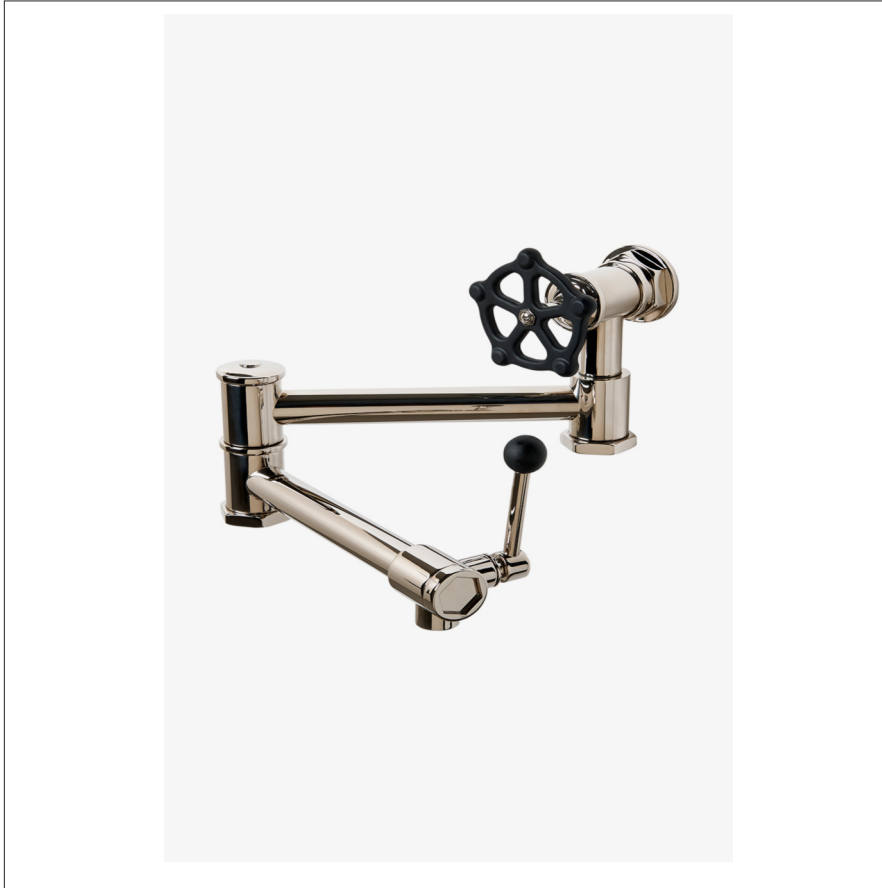


## REGULATOR

RG01PF

Regulator Wall Mounted Articulated Pot Filler, Black Wheel and Lever Handles



SHOWN IN REGULATOR WALL MOUNTED ARTICULATED POT FILLER, BLACK WHEEL AND LEVER HANDLES| RGPF01

### TECHNICAL DETAILS

Fittings Hole Diameter: 32 mm  
Handle Turn Angle: Quarter Turn  
Depth / Width: 525 mm  
Height: 227 mm  
Inlet Connection Size: 1/2"  
Inlet Connection Type: Male BSPP  
Integrated Spray: N  
Length: 97 mm  
Spout Swivel: Y  
Spray Included in Unit: N  
Water Pressure Maximum: 5.5 bar  
Water Pressure Minimum: 1.5 bar  
Water Pressure Recommended: 3.0 bar

### INSPIRATION

A play on industrial controls from the early 1900s, when pride was lavished on parts. Translated to handcrafted, fittings project rugged beauty through powerful, detailed shapes.

### PRODUCT FEATURES

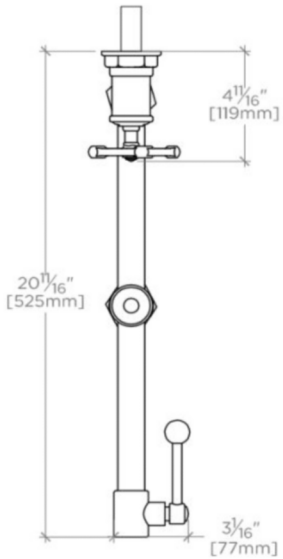
- Articulating Spout
- Quarter turn ceramic cartridges
- Cold water only, non-mixing valve
- Dual valve wall mount pot filler
- Front lever handle is a positive shut-off eliminating the need to reach over hot appliance to turn off water

# WATERWORKS

## REGULATOR

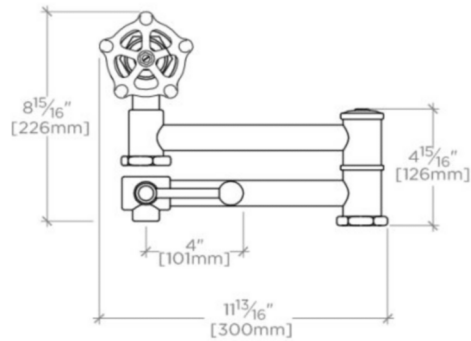
RG01PF

Regulator Wall Mounted Articulated Pot Filler, Black Wheel and Lever Handles

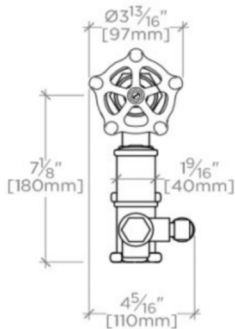


TOP VIEW SCALE: 1/2"=1'-0"

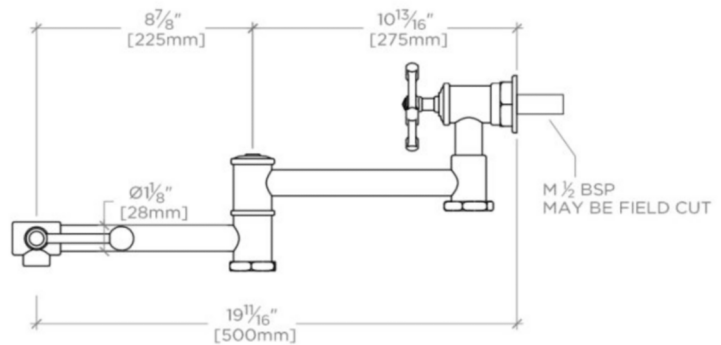
ADAPTER(S) PACKAGED SEPARATELY		
ADAPTER	DESCRIPTION	QTY
UNUK04	Universal 1/2" NPT Male x 1/2" Male Nipple 50mm Long BSP Adapter	1



FOLDED VIEW SCALE: 1/2"=1'-0"



FRONT VIEW SCALE: 1/2"=1'-0"



SIDE VIEW SCALE: 1/2"=1'-0"