

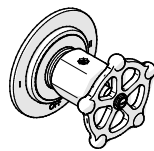
## INSTALLATION GUIDELINES

### IMPORTANT:

- To ensure this product is installed properly, you must read and follow these guidelines.
- The owner/user of this product must keep this information for future reference.
- This product is intended to work with a Universal Diverter Valve with Shutoff (SOLD SEPARATELY). Refer to the Installation Guidelines provided with the VALVE for complete rough-in installation details.
- This product must be installed by a professional licensed contractor and must be onsite prior to rough-in, this allows the installer to visualize the installation.
- Be sure your installation conforms to federal, state, and local codes. In the State of Massachusetts, all installations must comply with the rules and regulations set forth within 248 CMR.
- Inspect this product to ensure you have all the parts required for proper installation. Product is sold partially assembled but shown fully disassembled for illustrative and service purposes only.
- Use only a strap wrench or protected/smooth-jaw wrench on any finished surface.
- The use of certain plumber's putty may stain stone or tile surfaces.
- If further assistance is required, please contact Product Support at 1-800-927-2120 Monday through Friday, 8am - 6pm EST.
- Refer to the separate Service Parts Documents for available replacement parts.

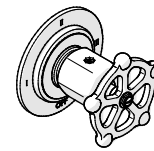
### REQUIRED PLUMBING DETAILS:

- Universal Two Way Diverter Valve with Shutoff for Thermostatic Shower Systems  
STYLE No. **GUDV14** (RG2T01) or,
- Universal Three Way Diverter Valve with Shutoff for Thermostatic Shower Systems  
STYLE No. **GUDV66** (RG3T01)



STYLE No. RG2T01

Regulator Two Way Thermostatic Diverter Valve Trim with Roman Numerals and Wheel Handle



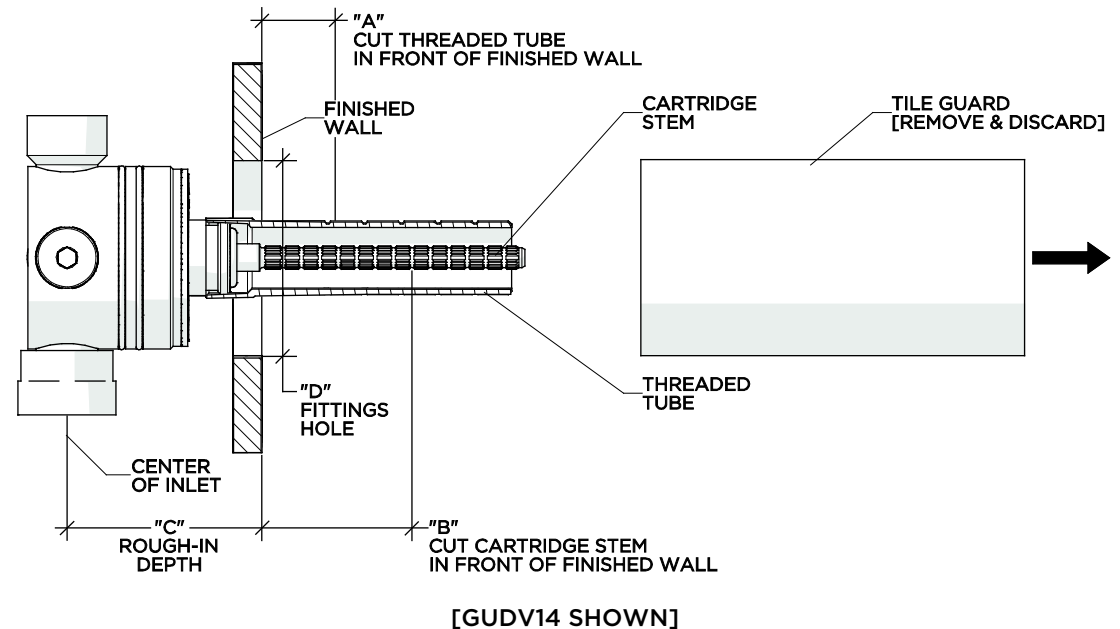
STYLE No. RG3T01

Regulator Three Way Thermostatic Diverter Valve Trim with Roman Numerals and Wheel Handle

### ROUGH-IN AND VALVE PREPARATION:

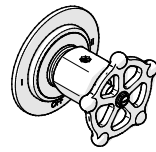
- **CAUTION:** If the VALVE is roughed-in too shallow, the TRIM cannot be installed correctly.
- **CAUTION:** Mark and remove the THREADED TUBE before cutting. Do NOT cut the end with the internal threads.

DIMENSION	VALUE
A	1-1/8" [29mm]
B	1-7/8" [48mm]
C	2-1/2" [64mm] MIN - 4" [102mm] MAX
D	Ø2-1/2" [64mm]

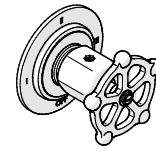


# WATERWORKS

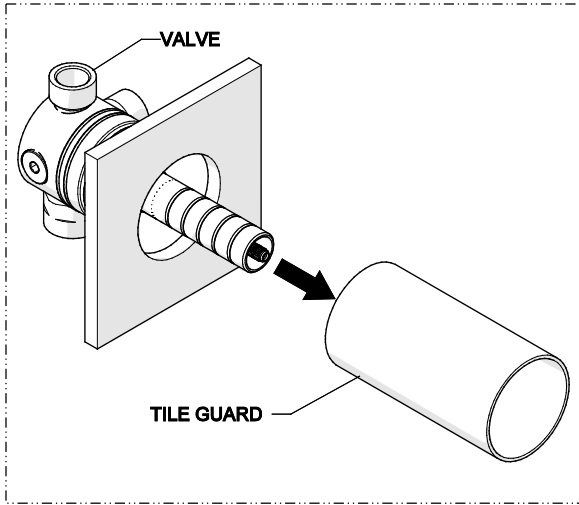
## INSTALLATION GUIDELINES



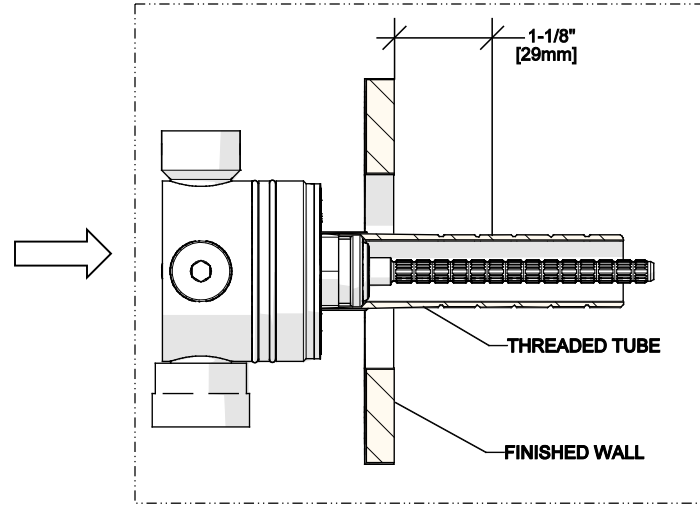
STYLE No. RG2T01  
Regulator Two Way Thermostatic Diverter Valve Trim with Roman Numerals and Wheel Handle



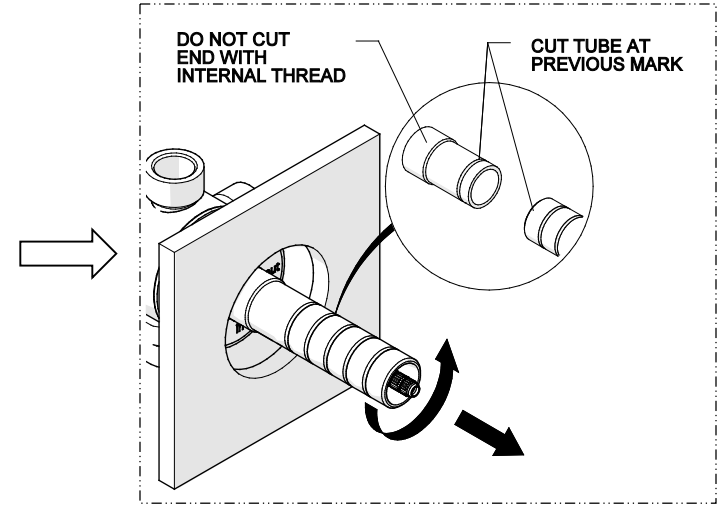
STYLE No. RG3T01  
Regulator Three Way Thermostatic Diverter Valve Trim with Roman Numerals and Wheel Handle



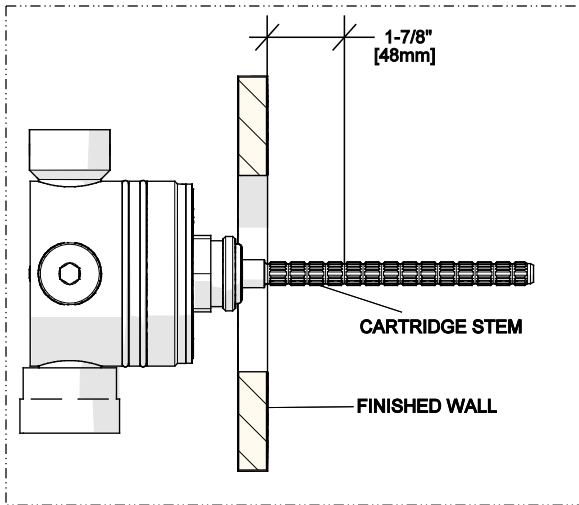
1. Remove the TILE GUARD from the VALVE.



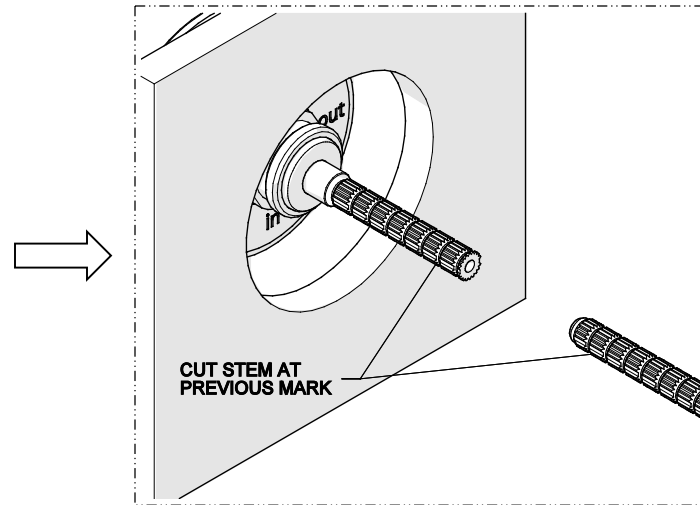
2. Mark the THREADED TUBE 1-1/8" [29mm] beyond where it protrudes from the finished wall.



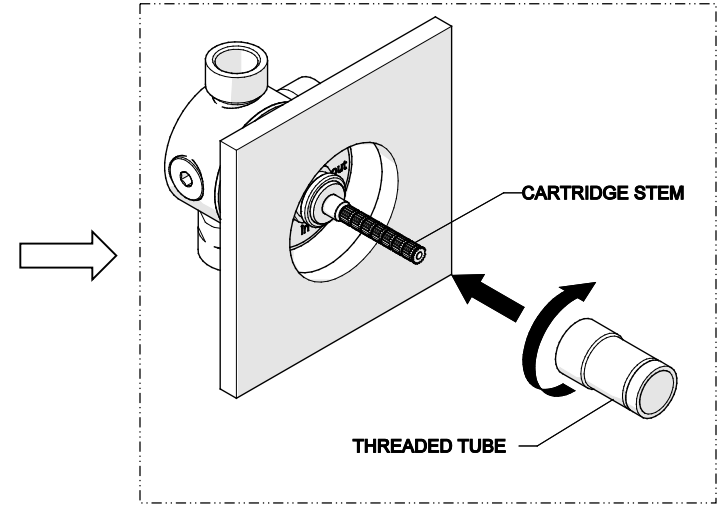
3. Remove and cut the THREADED TUBE at the previous mark. Do NOT cut the end with the internal threads.



4. Mark the CARTRIDGE STEM 1-7/8" [48mm] beyond where it protrudes from the finished wall.



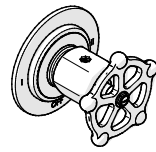
5. Cut the CARTRIDGE STEM at the previous mark.



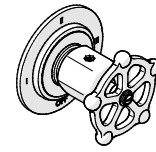
6. Thread the THREADED TUBE back onto the VALVE.

# WATERWORKS

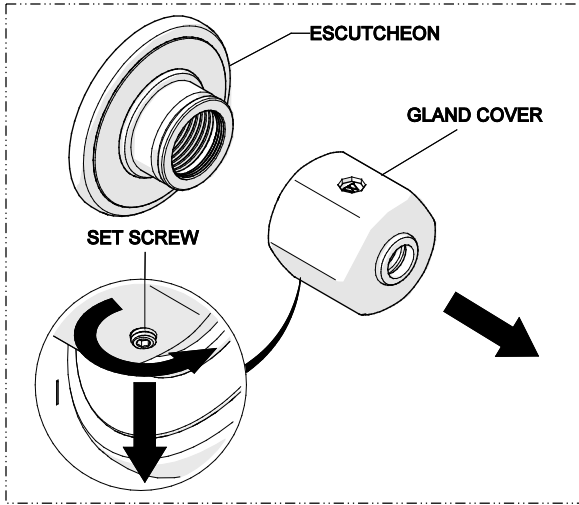
## INSTALLATION GUIDELINES



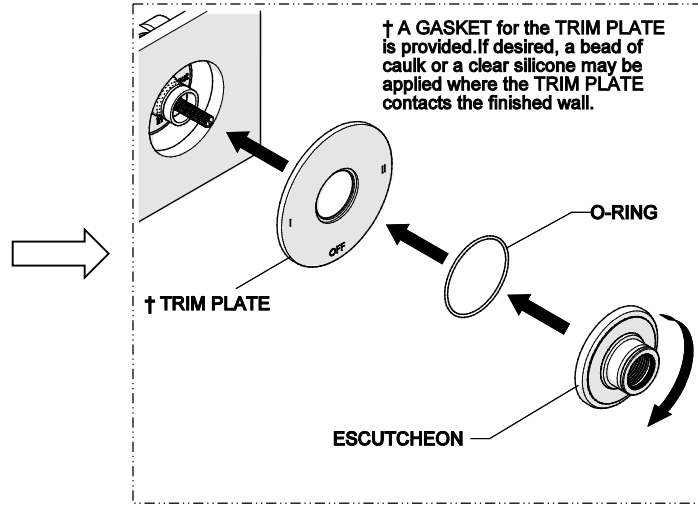
**STYLE No. RG2T01**  
Regulator Two Way Thermostatic Diverter Valve Trim with Roman Numerals and Wheel Handle



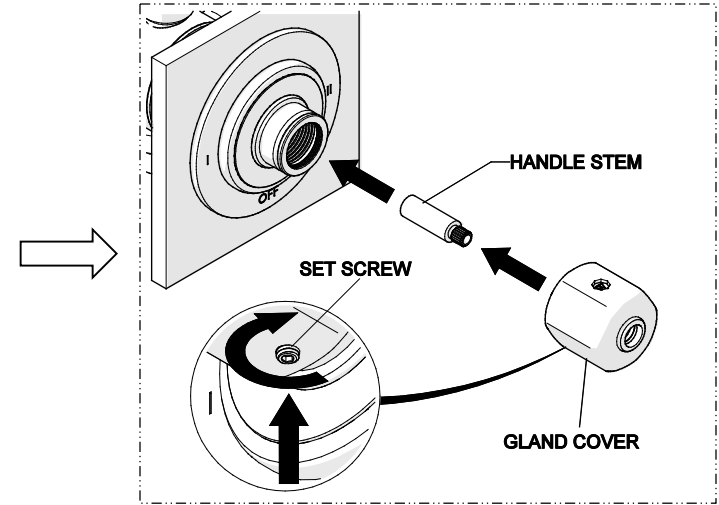
**STYLE No. RG3T01**  
Regulator Three Way Thermostatic Diverter Valve Trim with Roman Numerals and Wheel Handle



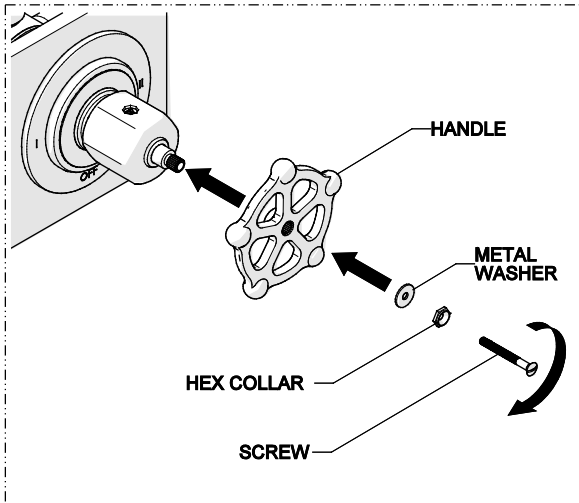
7. Unthread, but do not fully remove the SET SCREW, then detach the GLAND COVER from the ESCUTCHEON.



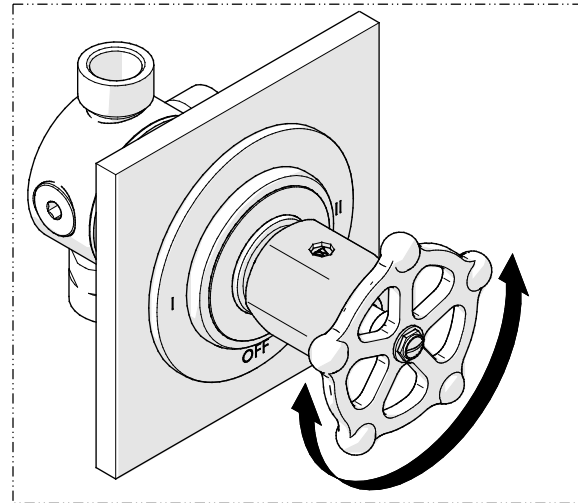
8. Hold the TRIM PLATE against the finished wall then thread and securely tighten the ESCUTCHEON onto the THREADED TUBE.



9. Place the HANDLE STEM onto the CARTRIDGE STEM, then slide the GLAND COVER over the STEM making sure it is fully seated. Securely tighten the SET SCREW, being sure the GLAND COVER is set to the orientation shown.



10. Place the HANDLE onto the HANDLE STEM in the desired orientation. Securely tighten the SCREW, being sure to include the METAL WASHER and the HEX COLLAR.



11. Turn on the water and operate the HANDLE to ensure it is functioning properly.